

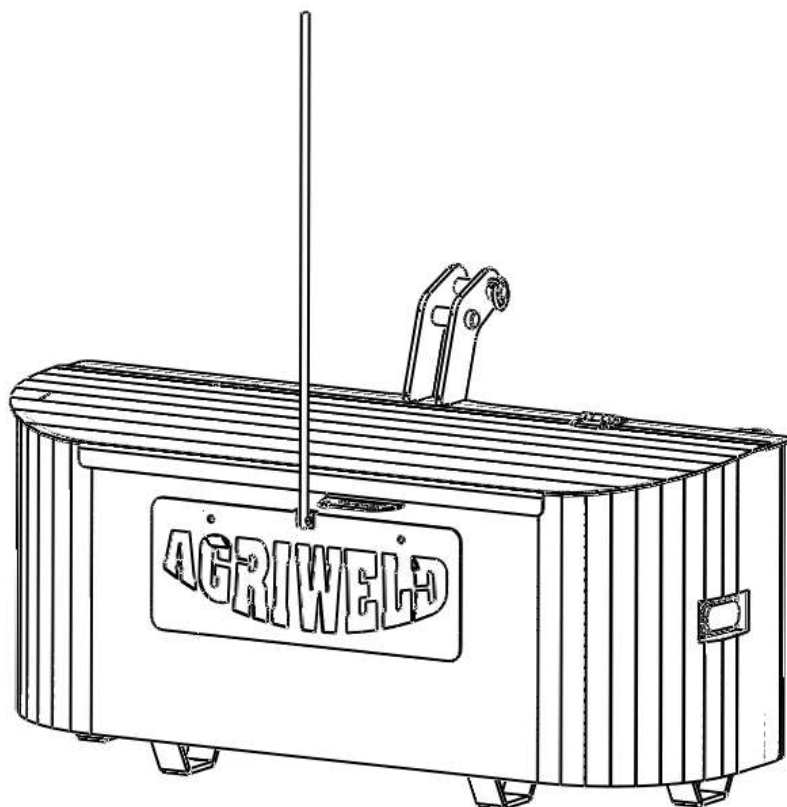
# AGRIWELD

## Transport Box

Compact, Standard, Large Capacity model

Front Linkage or Bolster attachment

## Operator Manual



The Workshops  
Main Street  
Garton-on-the-Wolds  
Driffield, YO25 3ET  
Tel: 01377 259140  
Fax: 01377 259141  
Email: [sales@agriweld.co.uk](mailto:sales@agriweld.co.uk)

## Contents

<b>Page 3</b>	General Safety & Qualifications & Training
<b>Page 4</b>	Further Safety & Unit Weights
<b>Page 5</b>	Standard Transport Box
<b>Page 6</b>	Compact Bolster Transport Box
<b>Page 7</b>	Compact Front Linkage Transport Box
<b>Page 8</b>	Large Capacity Transport Box
<b>Page 9</b>	Removing Lid
<b>Page 10</b>	Part List
<b>Page 11</b>	Special Safety Instructions & Important Maintenance
<b>Page 12</b>	Connecting Your LED's
<b>Page 13</b>	LED Patterns
<b>Page 14</b>	Warranty
<b>Page 15</b>	Stickers
<b>Page 16</b>	C E Declaration of Conformity

## **General Safety**

This manual must be provided to all persons concerned who will be involved with the setting up, operation, maintenance and use of the tractor and transport box. It must be available at all times.

If important safety instructions are not complied with, it can lead to the risk of injury to you and others as well as damage to property and the environment.

### **NON COMPLIANCE WITH SAFETY INSTRUCTIONS CAN LEAD TO WARRANTY CLAIMS BECOMING INVALID.**

## **Qualifications and Training**

Only personnel with the appropriate licence are authorised to use this implement.

Statutory minimum age limits must be observed and reliable personnel only should perform maintenance/work on this implement.

Persons undergoing training or instruction or taking part in a general training course should only use this implement under direct supervision of an experienced and trained person.

The use of spare parts, accessories and ancillary equipment not supplied or approved by Agriweld could have detrimental effects to the construction or functions of the Agriweld toolbox. Agriweld shall not be responsible for any damage caused by the use of spare parts or accessories and ancillary equipment not supplied or approved by Agriweld.

The operator must be aware of their responsibilities with regard to observing traffic regulations. The operator must have the authority to refuse instructions issued by third parties which contravene safety.

Any conversions or modifications to the implement may only be carried out after prior consultation and written confirmation from Agriweld.

## **Further Safety**

Any warning signs/instructions on the machine provide important information and must be observed.

Ensure that you are familiar with the equipment, controls and functions before starting work.

Check round the machine for any noticeable damage, or missing parts before starting work.

It is advisable that the operator wears close fitting clothing to avoid the risk of snagging and trapping.

Ensure that you watch out for wandering individuals (particularly children!).

Always match your speed to the conditions and legal speed limits. Observe and respect traffic regulations when using public roads.

Remember to take into account the size of any attachments to the tractor you may have and be aware of the sideways forces acting on the machine when turning and negotiating corners. Always ensure adequate all round visibility.

The driving characteristics of the forklift/loader/tractor are influenced and altered by the attachment of mounted machines and it is important to ensure adequate steering and braking ability as required.

### **Unit Weight (approx.)**

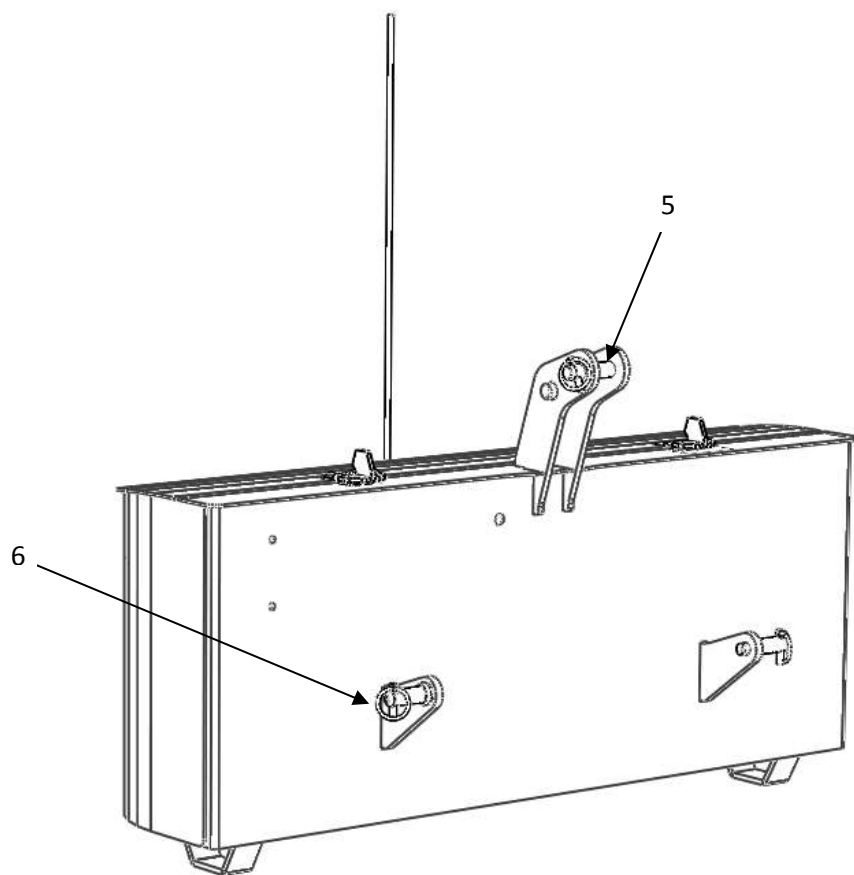
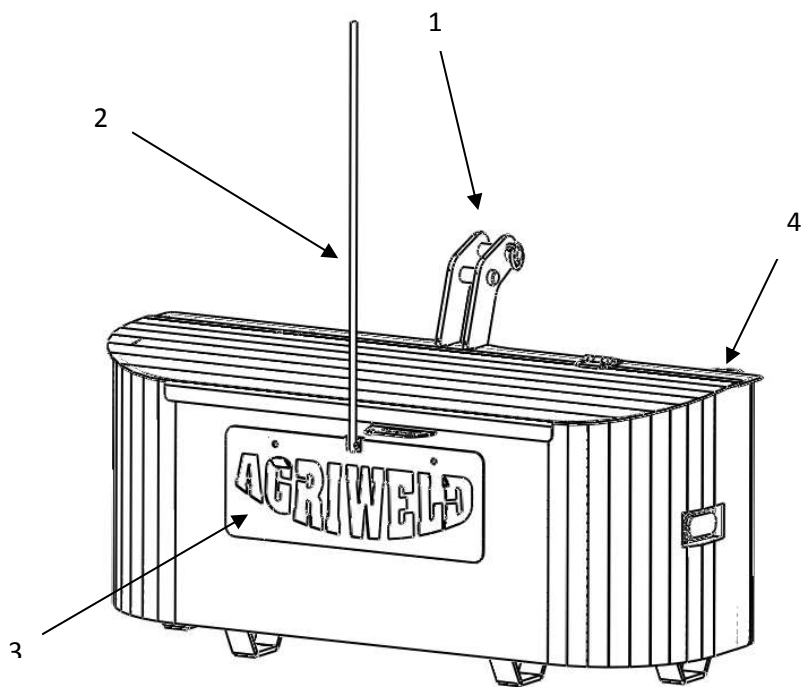
Compact Transport Box (front linkage or bolster) = 150kg

Standard Transport Box = 180kg

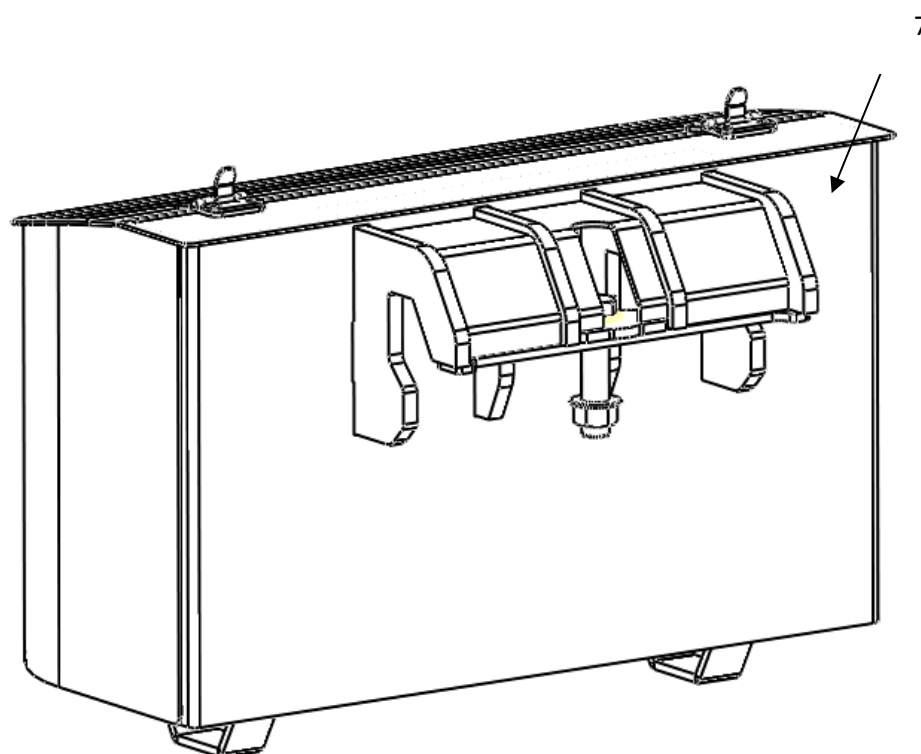
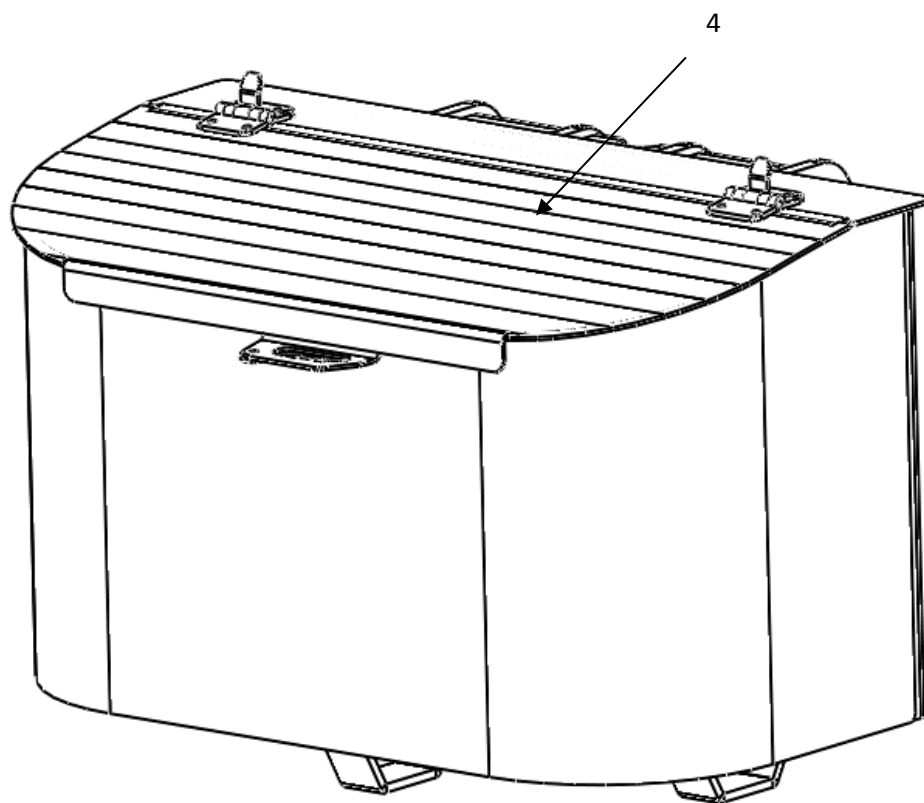
Larger capacity Transport Box = 200kg

Bespoke sizes – Please refer to serial plate for weight

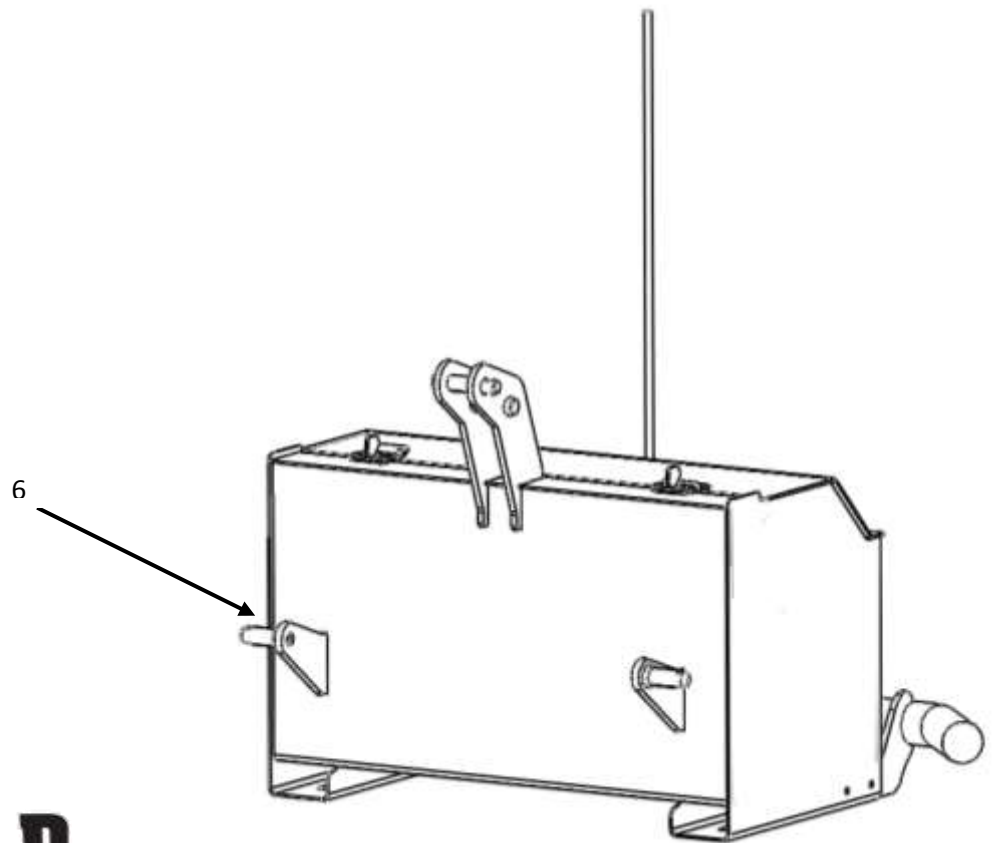
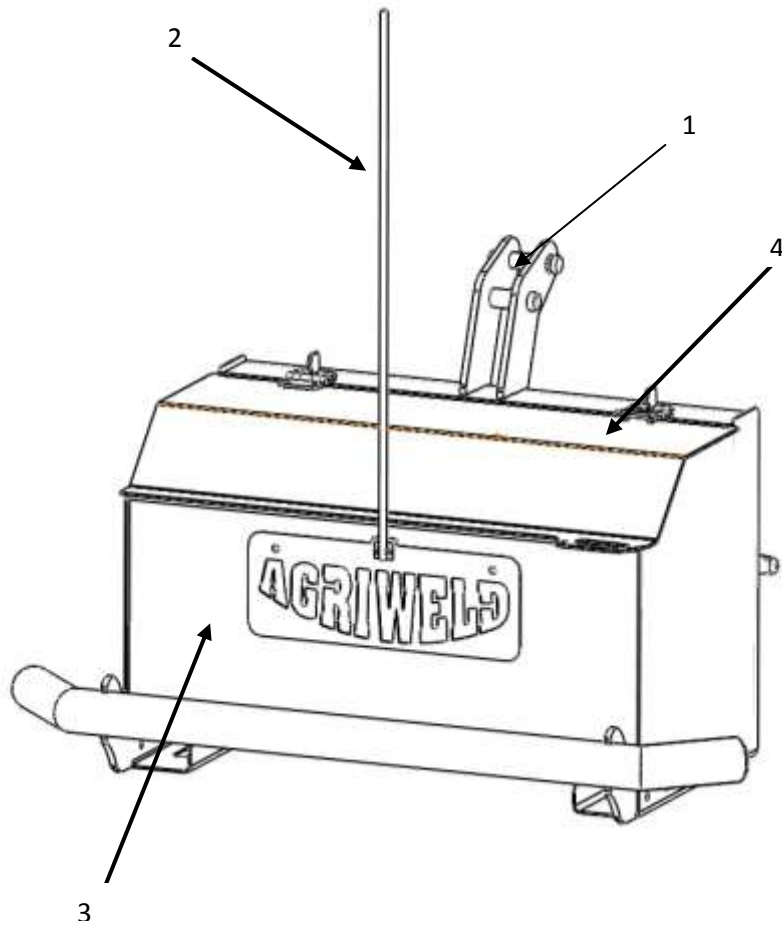
### Standard Front Linkage Transport Box



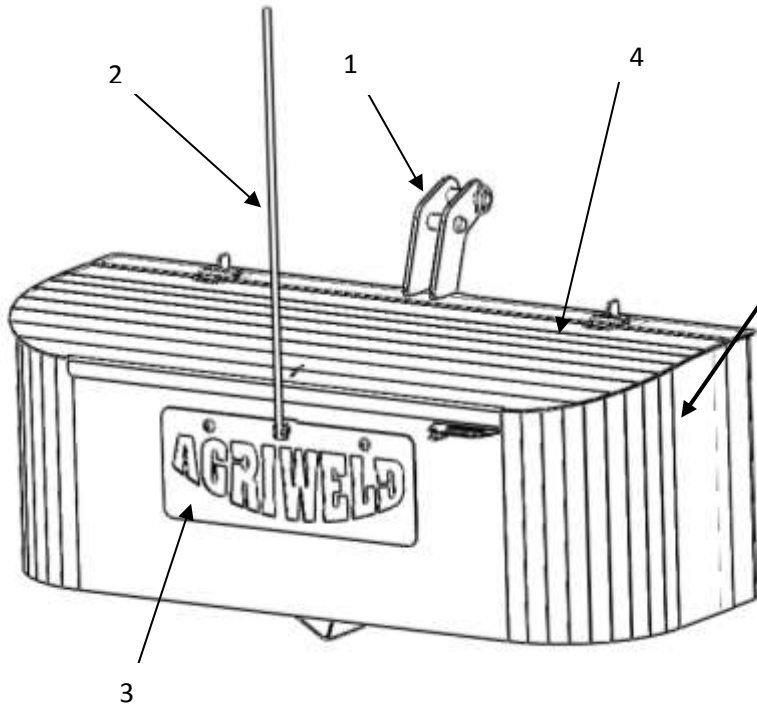
## Compact Bolster Transport Box



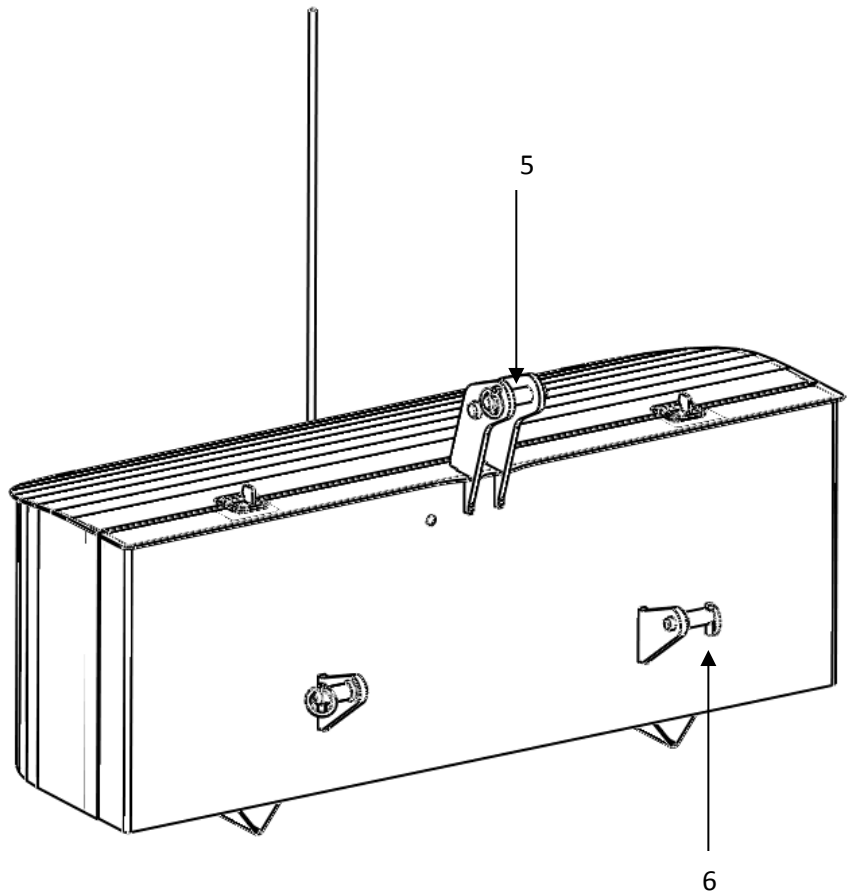
Compact Front linkage Transport Box



### Large Capacity Transport Box

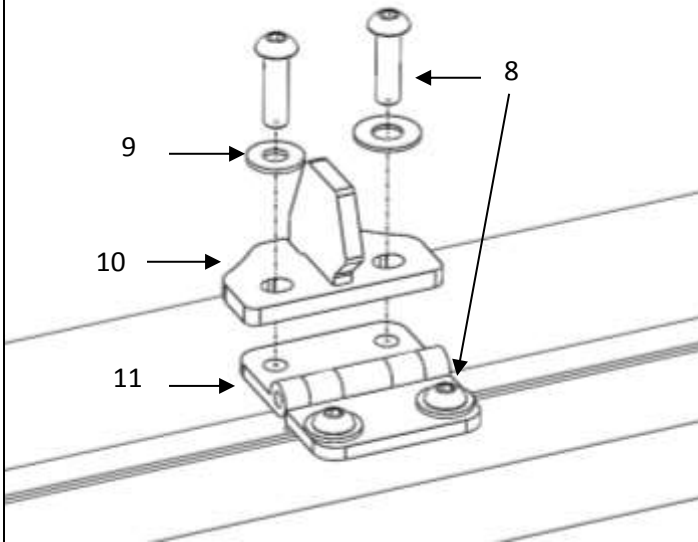


Optional White LED's

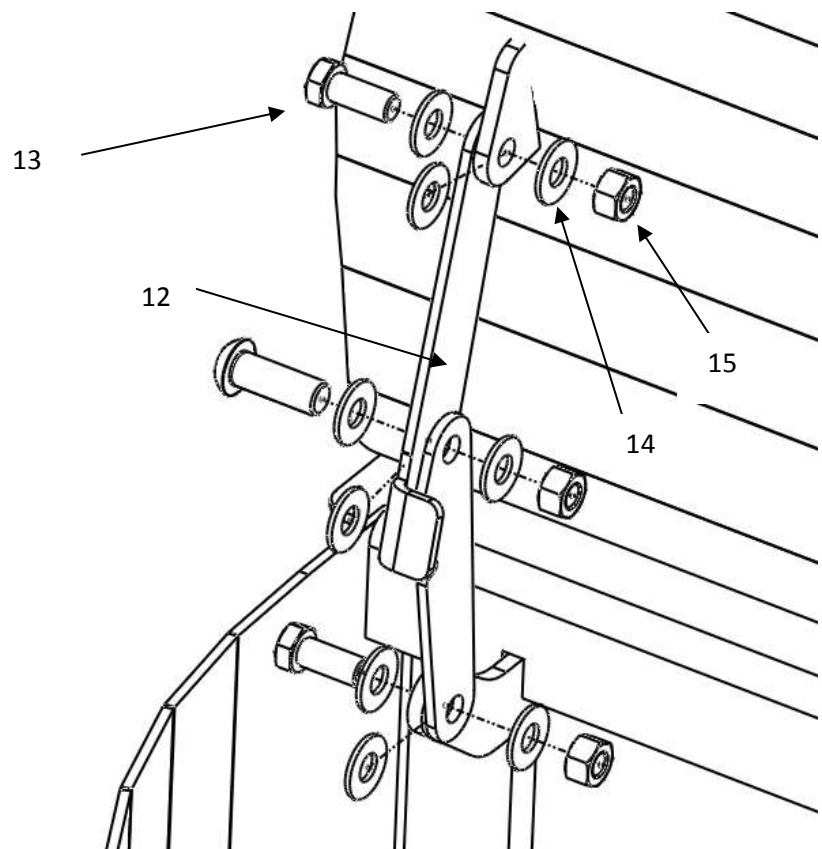




## LID HINGE ASSEMBLY & STAY



When removing the lid, unscrew the 2 x M10 button heads (8) and remove washers (9). This allows the stops (10) and the hinge (11) to be removed. The Lid Stay (12) must also be removed; this is done by removing and unscrewing the M10 bolts (13) and nuts (15).



**LID STAY  
ASSEMBLY**

**Part List**

<b><u>No</u></b>	<b><u>Description</u></b>	<b><u>Part No</u></b>	<b><u>No Per Box</u></b>
1	Top Link	-	1
2	Marker Rod	-	1
3	Name Plate	-	1
4	Lid	-	1
5	25mm Top Pin	Z325095KO	1
6	11mm Linch Pin	LP11Z	3
7	Bolster Attachment	-	1
8	M10 Button Head Bolt	AW_M10BH_B	8
9	M10 Washer	AW_M10_W	32
10	Lid Stop	BB_0853	2
11	Hinge	RS Hinge 02	2
12	Lid Stay	LCTB_Pro_01	1
13	M10 Bolt	AW_M10_B	3
14	M10 Washer	AW_M10_W	32
15	M10 Nut	AW_M10_N	11

## **Special Safety Instructions**

Take extra care when connecting or disconnecting the transport box to/from the tractor. Be aware of what is under the transport box (such as your feet) before dropping it off.

Ensure that the tractor's hydraulic system is in full working order.

Never allow any person to stand between the tractor and the transport box during connection or at any time unless the tractor is secured against rolling away by use of a parking brake and/or wheel chocks.

It is forbidden to allow any persons to ride or sit on the transport box at any time. Observers should maintain a safe distance when machine is in use.

When performing any adjustments to the machine the tractor engine must be switched off to prevent the hydraulics from operating.

Ensure that any items stored in the transport box are secured by closing the lids.

The towing clevis is intended for light use only. E.g.: for pulling a furrow press out of a corner using a chain. It is more of a chaining point not an actual towing point and is NOT suitable to tow a trailer down a public road when in use on the rear linkage. The towing clevis can be used for towing lighter loads round the yard, however, it is not a load tested item and so cannot be guaranteed safe for use on public highways and is to be used for towing at own risk.

## **Important Maintenance**

**It is important to check all pins/bolts for wear and ensure that none show significant signs of wear or damage.**

**Keep the transport box clean at all times.**

**Grease hinge on lid and use WD40 for the gas strut.**

## CONNECTING YOUR LEDS

If you have ordered amber flashing LED side marker lights with your transport box, you will need to supply and fit the relevant 12-24V electrical plug to suit the connection to your tractor.

### WHITE LED SIDE MARKER LIGHTS FITTING INSTRUCTIONS

To connect your white LED side marker lights you will need to wire them up to a relevant 12-24 V electrical plug, suitable for your tractors electrical supply.

**BLUE** WIRE = EARTH (NEGATIVE -)

**BROWN** WIRE = LIVE (POSITIVE +)

### AMBER LED3DV FLASHING MARKER LIGHTS:

The amber flashing LED side marker lights are set to pattern PA1 before delivery. If you wish to change this, you will need to work your way down the list of patterns following the instructions below before fitting the plug and connecting to the tractor.

1. Using the **GREY** wire to make the change you will need a 12V battery on hand to alter the flashing pattern.
2. Connect the **BROWN** wire to Live (**+POSITIVE**) on the battery.
3. Connect the **BLACK** wire to Earth (**-NEGATIVE**) on the battery.
4. Touch the **GREY** wire once to Earth (**-NEGATIVE**) which will produce the next pattern in the sequence.
5. Keep touching the **GREY** wire in this way until the desired pattern is achieved.
6. When happy you can fit your 12-24V plug using only the **BROWN** LIVE (**+POSITIVE**) wire and **BLACK** Earth (**-NEGATIVE**) wire.
7. Cut excess **GREY** and **YELLOW/GREEN** wires down to within the sheath to prevent further contact.

Pattern Number	Pattern	Synchronise	Alternate
PA1	Single Alert 150 – Phase 1	✓	✓
PA2	Single Alert 150 – Phase 2	✓	
PA3	Single Alert 75 – Phase 1	✓	✓
PA4	Single Alert 75 – Phase 2	✓	
PA5	Single Alert 375 – Phase 1	✓	✓
PA6	Single Alert 375 – Phase 2	✓	
PA7	Single Flash 150 – Phase 1	✓	✓
PA8	Single Flash 150 – Phase 2	✓	
PA9	Single Flash 75 – Phase 1	✓	✓
PA10	Single Flash 75 – Phase 2	✓	
PA11	Double Flash 150 – Phase 1	✓	✓
PA12	Double Flash 150 – Phase 2	✓	
PA13	Double Flash 75 – Phase 1	✓	✓
PA14	Double Flash 75 – Phase 2	✓	
PA15	Comet Flash 75		-
PA16	Action Flash	-	-
PA17	Module Flash	-	-
PA18	Comet Alert		-
PA19	Action Scan	-	-
PA20	Single Alert	-	-
PA21	Steady – High	N/A	N/A
PA22	Steady – Low	N/A	N/A
PA23	Off	N/A	N/A

## **Warranty**

Your Agriweld Transport Box is covered for a period of 12 months from the date of delivery/collection (which is recorded on our files) against faulty components and/or bad workmanship.

Our welders are coded to BS EN 287-1 and our welding procedures are approved in accordance with: BS EN ISO 15614-1 to manufacture your equipment and all products are checked for quality prior to delivery/collection.

We cannot be responsible for claims arising from ignorance, occurrences outside our control, such as accidents, and malicious damage.



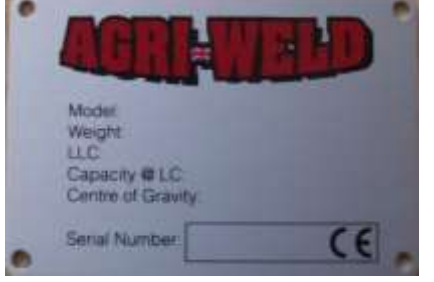


Damage occurred during transit must be reported on signing for the item from the haulier to enable us to make a claim for damages caused during transport.

Transport boxes and toolboxes are not water or dust tight. Please protect necessary items within an additional and suitable container.

### **WARRANTY CLAIMS FOR DAMAGE DURING TRANSIT**

Damage occurred during transit via an external haulier must be reported immediately upon unloading and signing for the item. The limit of our liability to undertake repairs to products damaged during transit is dependent on signing for any damaged product upon delivery as "DAMAGED".

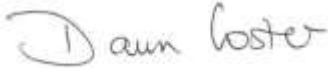
## Stickers

Sticker	Part number	Description	Quantity per Machine
	AW_WB_AS (185 mm x 85mm)	Agriweld Sticker	3
	AW_WB_GB (85mm x 50mm)	Great Britain Sticker	3
	Serial plate (76mmX51mm)	Serial plate	1
	AW_CV_ST (300mmX300mm)	Standard Chevron	2
	AW_CV_STL	Standard Chevron with LED slot	2

## CE DECLARATION OF CONFORMITY

The equipment which accompanies this declaration is in conformity with EU Directive(s):-

### 2006/42/EC Machinery Directive

Manufacturer Name:	Agriweld Ltd
Manufacturer Address:	Main Street Garton-on-the-Wolds Driffield East Yorkshire YO25 3ET
Product:	Transport Box
Product Options:	All models
Individual Serial Number:	
Product Description:	Agriweld Transport Box
Date of Last Load Test Report:	N/A
Supplementary Information:	Front linkage or Bolster mounted
Authorised Signatory on Behalf of Manufacturer:	
Name of Signatory:	Dawn Foster
Position in Company:	Director
Date of Issue:	