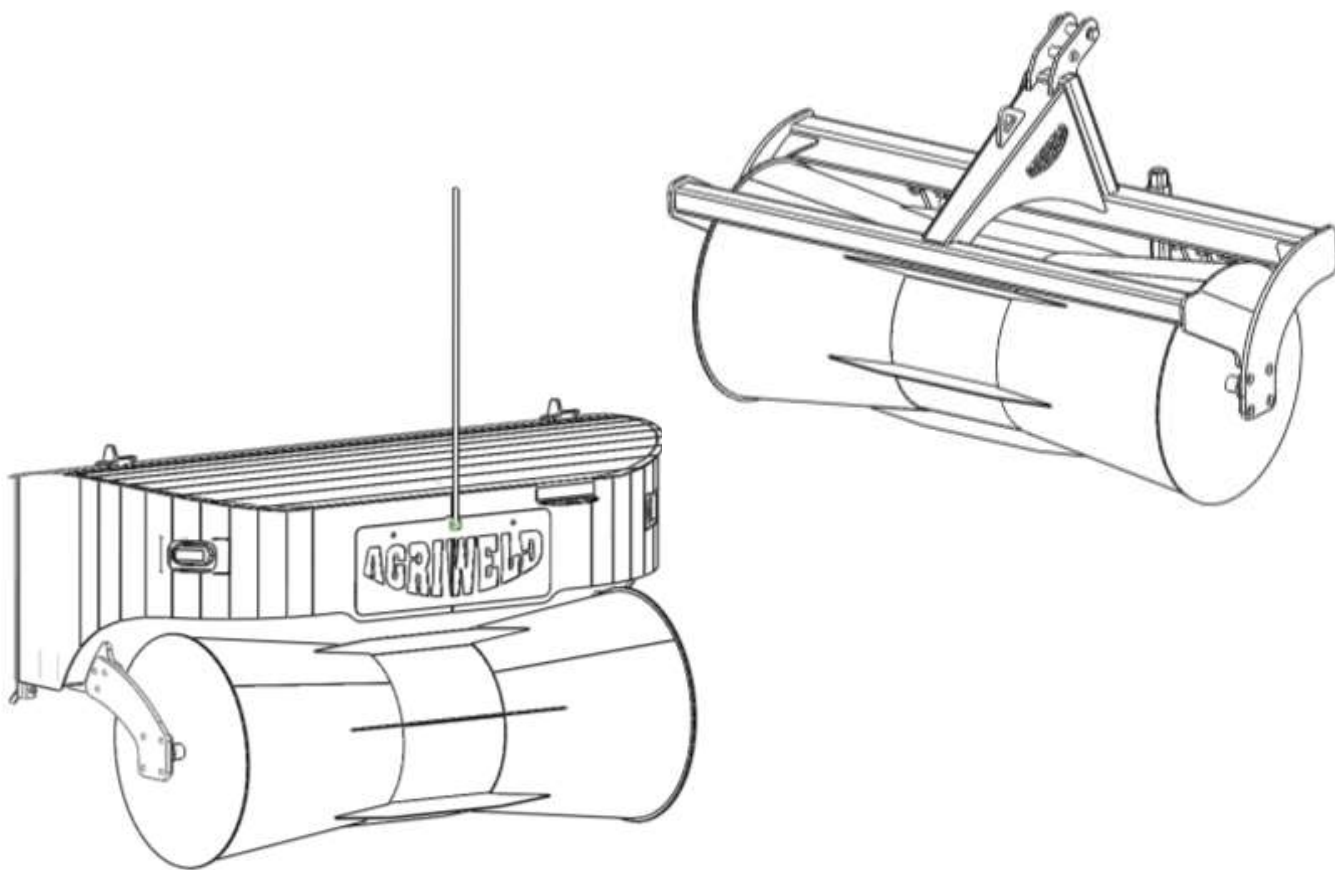


AGRIWELD

1

Swath Roller Operator Manual



The Workshops
Main Street
Garton-on-the-Wolds
Driffield, YO25 3ET
Tel: 01377 259140
Fax: 01377 259141
Email: sales@agriweld.co.uk
www.agriweld.co.uk

AGRIWELD

Contents

Page 3	Introduction, General Safety & Qualifications & Training
Page 4	Further Safety
Page 5	Special Safety Instructions & Important Maintenance
Page 6	3 Point Linkage Swath Roller Main Assembly
Page 7	3 Point Linkage Swath Roller Parts List
Page 8-9	Transport Box Swath Roller Main Assembly
Page 10	Transport Box Swath Roller Parts List
Page 11-12	Connecting the LEDs
Page 13	Warranty
Page 14	Stickers
Page 15	C E Declaration of Conformity

Introduction

Designed to compress the swath produced by the combine harvester or swather in front of the tractor prior to baling, the Agriweld swath roller is available as either a front linkage mounted roller alone or as a front linkage mounted roller and transport box combination. The latter being ideal for carrying all those baling essentials. Models are all front linkage mounted with fixed width setting.

General Safety

This manual must be provided to all persons concerned who will be involved with the setting up, operation, maintenance and use of the tractor and swath roller. It must be available at all times.

If important safety instructions are not complied with, it can lead to the risk of injury to you and others as well as damage to property and the environment.

NON COMPLIANCE WITH SAFETY INSTRUCTIONS CAN LEAD TO WARRANTY CLAIMS BECOMING INVALID.

Qualifications and Training

Only personnel with the appropriate licence are authorised to use this implement.

Statutory minimum age limits must be observed and reliable personnel only should perform maintenance/work on this implement.

Persons undergoing training or instruction or taking part in a general training course should only use this implement under direct supervision of an experienced and trained person.

The use of spare parts, accessories and ancillary equipment not supplied or approved by Agriweld could have detrimental effects to the construction or functions of the Agriweld swath roller. Agriweld shall not be responsible for any damage caused by the use of spare parts or accessories and ancillary equipment not supplied or approved by Agriweld.

The operator must be aware of their responsibilities with regard to observing traffic regulations. The operator must have the authority to refuse instructions issued by third parties which contravene safety.

Any conversions or modifications to the implement may only be carried out after prior consultation and written confirmation from Agriweld.



Further Safety

Any warning signs/instructions on the machine provide important information and must be observed.

Ensure that you are familiar with the equipment, controls and functions before starting work.

Check round the machine for any noticeable damage, or missing parts before starting work.

It is advisable that the operator wears close fitting clothing to avoid the risk of snagging and trapping.

Ensure that you watch out for wandering individuals (particularly children!).

Always match your speed to the conditions and legal speed limits. Observe and respect traffic regulations in respect to front mounted machines when using public roads.

Remember to take into account the size of any attachments to the tractor you may have and be aware of the sideways forces acting on the machine when turning and negotiating corners. Always ensure adequate all round visibility.

Special Safety Instructions

Take extra care when hitching up or un-hitching the swath roller to/from the tractor. Be aware of what is under the roller (such as your feet) before dropping it off.

Ensure that the tractor's hydraulic system is in full working order.

Never allow any person to stand between the tractor and the swath roller during connection or at any time and ensure the tractor is secured against rolling away by use of a parking brake and/or wheel chocks.

It is forbidden to allow any persons to ride or sit on the swath roller at any time. Observers should maintain a safe distance when machine is in use.

When performing any adjustments to the machine the tractor engine must be switched off to prevent the hydraulics from operating.

The driving characteristics of the forklift/loader/tractor are influenced and altered by the attachment of mounted machines and it is important to ensure adequate steering and braking ability as required.

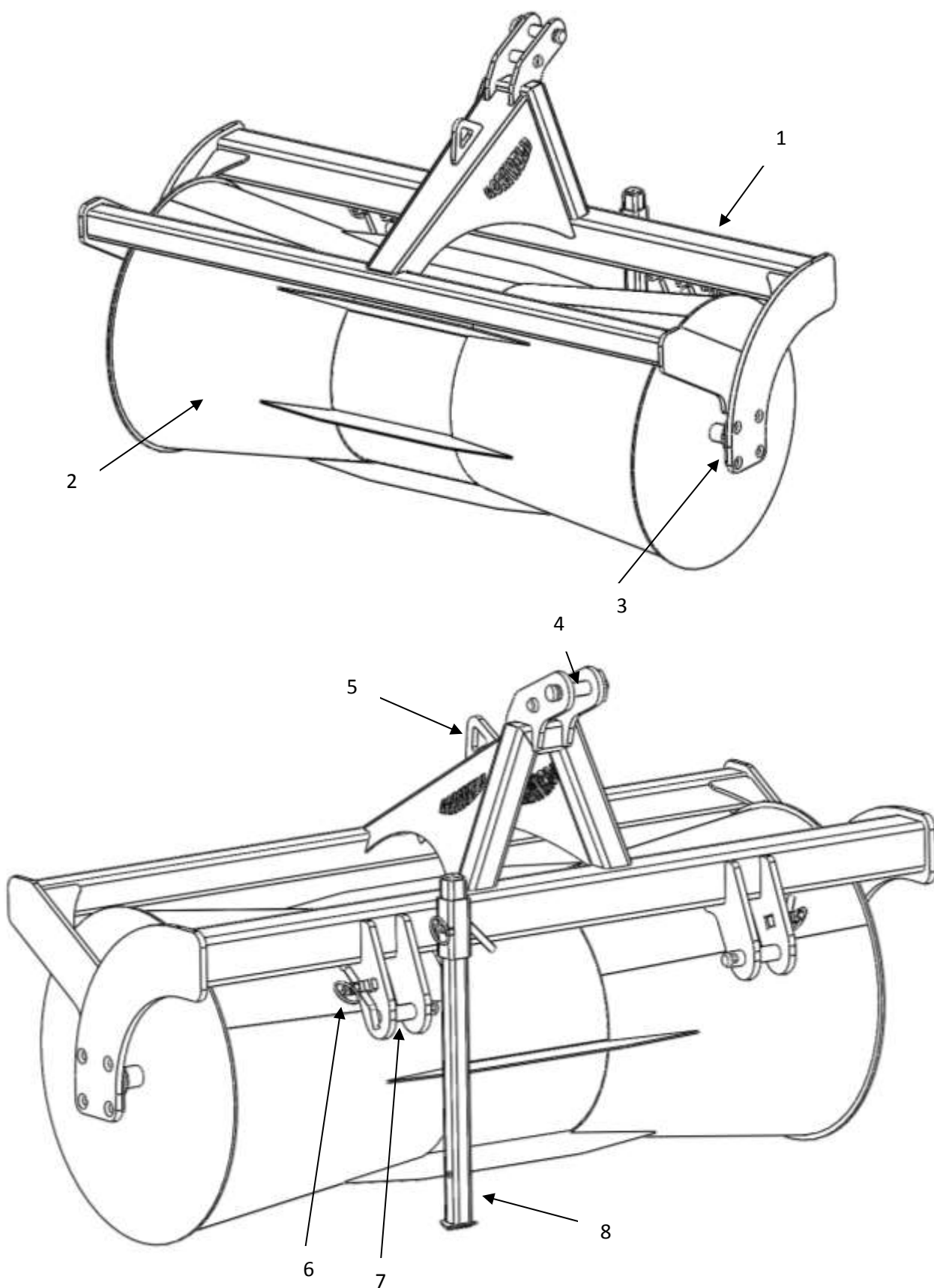
Important Maintenance

It is important to check all pins for wear and ensure that none show significant signs of wear or damage.

Keep the swath roller clean at all times.

It is important to grease the 2 roller bearings with all-purpose grease on either side of the roller pivot at least once weekly whilst working under normal conditions and twice weekly under extreme use and or very dry/dusty conditions. Any components not greased often enough are at risk of excessive wear and possible seizing; these components therefore would not be covered under warranty.

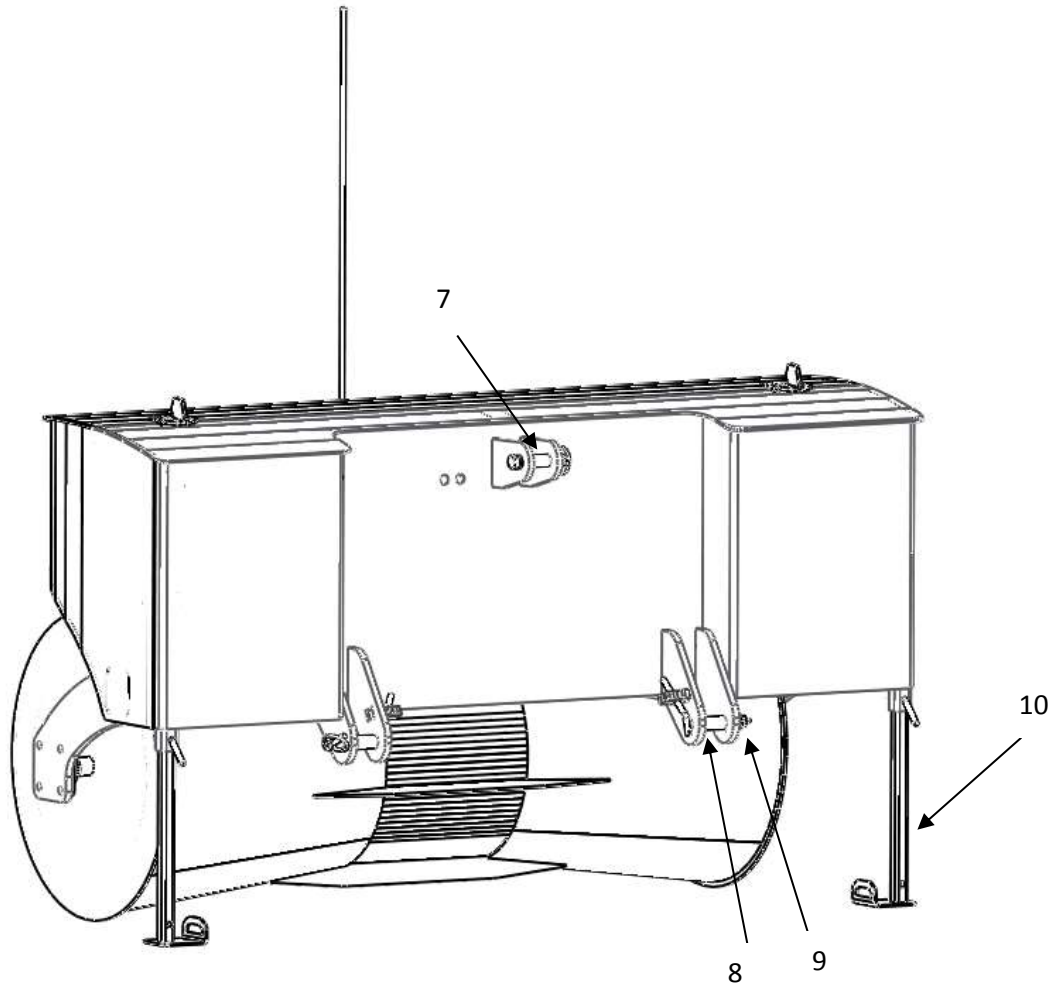
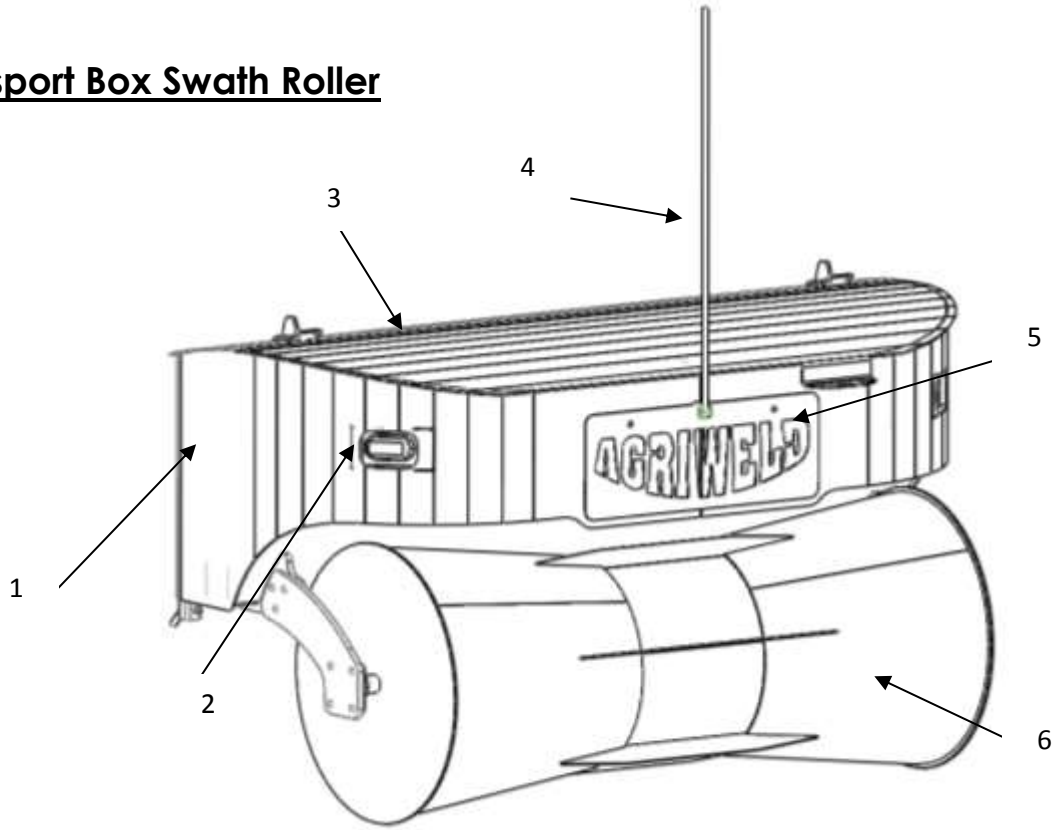
3 Point Linkage Swath Roller

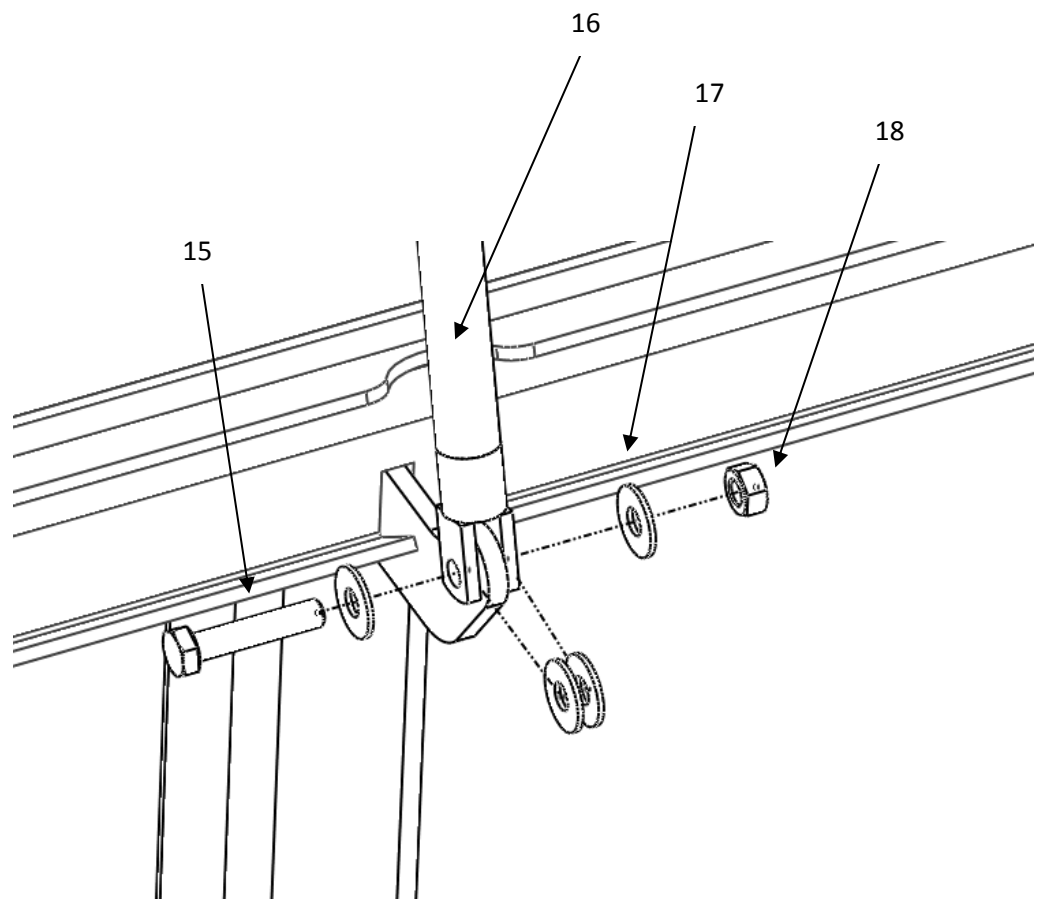
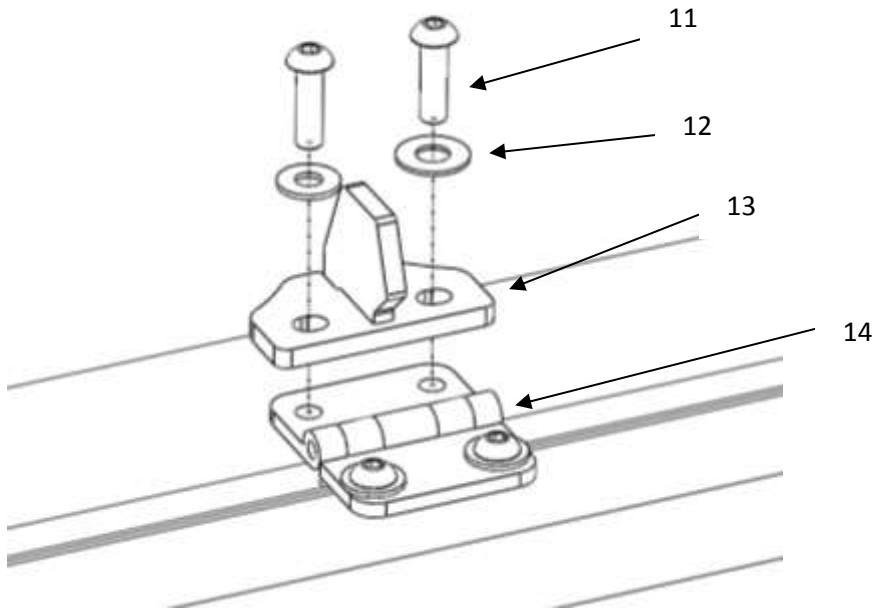


3 Point linkage Swath Roller Parts List

<u>No</u>	<u>Part</u>	<u>Part No</u>	<u>Quantity Per Machine</u>
<u>1</u>	Main Frame	-	1
<u>2</u>	Main Roller	Swath_Roller_10	1
<u>3</u>	Roller Bearings	UCFX06 30mm Shaft 4 Hole Flange Bearing	2
<u>4</u>	Top Link Pin	2325095KO	1
<u>5</u>	Lifting Hook	SR_BFR_1202	1
<u>6</u>	Linch Pin	LP11Z	3
<u>7</u>	Bottom Link Pin	Z528_123	2

Transport Box Swath Roller





Transport Box Swath Roller Parts List

<u>No</u>	<u>Description</u>	<u>Part No</u>	<u>No Per Box</u>
1	Main Transport Box	-	1
2	White LED (for illustration purposes)	-	2
3	Lid	SRBTB_0414	1
4	Marker Rod	-	1
5	Name late	-	1
6	Main Roller	Swath_Roller_10	1
7	25mm Top Link Pin	2325095KO	1
8	Lower Link Pins	Z528_123	2
9	11mm Linch Pin	LP11Z	3
10	Stand	Stand_01	2
11	M10 Button Head Bolt	AW_BHM10_B	8
12	M10 washer	AW_M10_W	16
13	Lid Stop	BB_0853	2
14	Lid Hinge	RS_Hinge	2
15	M8 gas strut bolt	AW_M8_B	2
16	Gas strut	GSV8_250	1
17	M8 Washer	AW_M8_W	8
18	M8 Nut	AW_M8_N	2

CONNECTING YOUR LEDS (Transport Box)

If you have ordered amber flashing LED side marker lights with your transport box, you will need to supply and fit the relevant 12-24V electrical plug to suit the connection to your tractor.

WHITE LED SIDE MARKER LIGHTS FITTING INSTRUCTIONS

To connect your white LED side marker lights you will need to wire them up to a relevant 12-24 V electrical plug, suitable for your tractors electrical supply.

BLUE WIRE = EARTH (NEGATIVE -)

BROWN WIRE = LIVE (POSITIVE +)

AMBER LED3DV FLASHING MARKER LIGHTS:

The amber flashing LED side marker lights are set to pattern PA1 before delivery. If you wish to change this, you will need to work your way down the list of patterns following the instructions below before fitting the plug and connecting to the tractor.

1. Using the **GREY** wire to make the change you will need a 12V battery on hand to alter the flashing pattern.
2. Connect the **BROWN** wire to Live (**+POSITIVE**) on the battery.
3. Connect the **BLACK** wire to Earth (**-NEGATIVE**) on the battery.
4. Touch the **GREY** wire once to Earth (**-NEGATIVE**) which will produce the next pattern in the sequence.
5. Keep touching the **GREY** wire in this way until the desired pattern is achieved.
6. When happy you can fit your 12-24V plug using only the **BROWN** LIVE (**+POSITIVE**) wire and **BLACK** Earth (**-NEGATIVE**) wire.
7. Cut excess **GREY** and **YELLOW** wires down to within the sheath to prevent further contact.

Pattern Number	Pattern	Synchronise	Alternate
PA1	Single Alert 150 – Phase 1	✓	✓
PA2	Single Alert 150 – Phase 2	✓	
PA3	Single Alert 75 – Phase 1	✓	✓
PA4	Single Alert 75 – Phase 2	✓	
PA5	Single Alert 375 – Phase 1	✓	✓
PA6	Single Alert 375 – Phase 2	✓	
PA7	Single Flash 150 – Phase 1	✓	✓
PA8	Single Flash 150 – Phase 2	✓	
PA9	Single Flash 75 – Phase 1	✓	✓
PA10	Single Flash 75 – Phase 2	✓	
PA11	Double Flash 150 – Phase 1	✓	✓
PA12	Double Flash 150 – Phase 2	✓	
PA13	Double Flash 75 – Phase 1	✓	✓
PA14	Double Flash 75 – Phase 2	✓	
PA15	Comet Flash 75		-
PA16	Action Flash	-	-
PA17	Module Flash	-	-
PA18	Comet Alert		-
PA19	Action Scan	-	-
PA20	Single Alert	-	-
PA21	Steady – High	N/A	N/A
PA22	Steady – Low	N/A	N/A
PA23	Off	N/A	N/A

Warranty

Your Agriweld Swath Roller is covered for a period of 12 months from the date of delivery (which is recorded on our files) against faulty components and/or bad workmanship.

Our welders are coded to BS EN 287-1 and our welding procedures are approved in accordance with: BS EN ISO 15614-1 to manufacture your equipment and all products are checked for quality prior to delivery/collection.






We cannot be responsible for claims arising from ignorance, occurrences outside our control, such as accidents, and malicious damage.

Damage occurred during transit must be reported on signing for the item from the haulier to enable us to make a claim for damages caused during transport.

WARRANTY CLAIMS FOR DAMAGE DURING TRANSIT

Damage occurred during transit via an external haulier must be reported immediately upon unloading and signing for the item. The limit of our liability to undertake repairs to products damaged during transit is dependent on signing for any damaged product upon delivery as "DAMAGED".

Stickers

Sticker	Part number	Description	Quantity per Machine
	AW_WB_AS (185 mm x 85mm)	Agriweld Sticker	2
	AW_ST_01	Agriweld Stencil Sticker	2
	Serial plate (76mmX51mm)	Serial plate	1
	AW_GG_S	Grease Nipple Sticker	2
	AW_WB_CHEV (300mmX300mm)	Hi-vis chevron stickers	<i>(Transport Box option) 2</i>

CE DECLARATION OF CONFORMITY

The equipment which accompanies this declaration is in conformity with EU Directive(s):-

2006/42/EC Machinery Directive

Manufacturer Name:	Agriweld Ltd
Manufacturer Address:	Main Street Garton-on-the-Wolds Driffield East Yorkshire YO25 3ET
Product:	Transport box/3 point linkage swath roller
Product Options:	All
Individual Serial Number:	
Product Description:	Agriweld Swath Roller
Date of Last Load Test Report:	N/A
Supplementary Information:	Front linkage mounted (Transport Box empty weight 725kgs)
Authorised Signatory on Behalf of Manufacturer:	
Name of Signatory:	Dawn Foster
Position in Company:	Director
Date of Issue:	