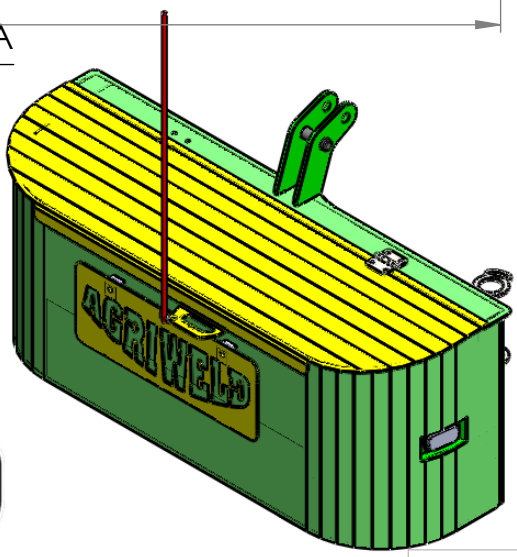


SECTION A-A
SCALE 1 : 10

Approximate weight empty
165 kgs

250mm of concrete gives
approximately total weight
of 500 kgs



St_Transport_Box_Dim