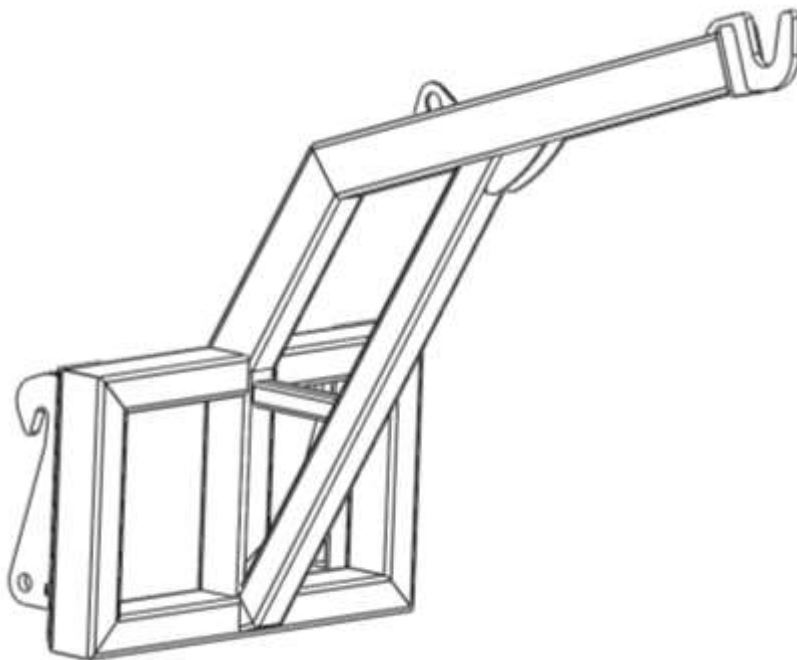


# AGRI WELD

## OPERATOR MANUAL

### Single Bag Lift



The Workshops  
Main Street  
Garton-on-the-Wolds  
Driffield, YO25 3ET  
Tel: 01377 259140  
Fax: 01377 259141

Email: [sales@agriweld.co.uk](mailto:sales@agriweld.co.uk)

**AGRI WELD**

[www.agriweld.co.uk](http://www.agriweld.co.uk)

## Contents Page

<b>Page 3</b>	Summary and General Safety
<b>Page 4</b>	Qualifications and Training
<b>Page 5</b>	Further Safety & Special Safety Instructions
<b>Page 6</b>	Safety First & Operation
<b>Page 7</b>	Full Assembly
<b>Page 8</b>	Stickers
<b>Page 9</b>	Warranty
<b>Page 10</b>	Declaration of Conformity

## **Summary**

The Agriweld Single Bag Lift is an implement used for carrying and transporting 1 x max weight 1000kg fertiliser/feed/seed bag. It is designed to fit handlers of sufficient lift capacity by use of the relevant bracketing which is provided with the implement.

MAXIMUM CAPACITY: 1000kgs

UNIT WEIGHT: 260kgs

## **General Safety**

This manual must be provided to all persons concerned who will be involved with the setting up, operation, maintenance and use of the forklift/loader and the bag lift and must be available at all times.

If important safety instructions are not complied with, it can lead to the risk of injury to yourself and others as well as damage to property and the environment.

### **PLEASE NOTE**

NON COMPLIANCE WITH SAFETY INSTRUCTIONS CAN LEAD TO WARRANTY CLAIMS BECOMING INVALID.

## **Qualifications and Training**

Only personnel with the appropriate forklift license is authorised to use this machine.

Statutory minimum age limits must be observed and reliable personnel only should perform maintenance work on this implement.

Persons undergoing training or instruction or taking part in a general training course should only use this machine under direct supervision of an experienced and trained person.

The use of spare parts, accessories and ancillary equipment not supplied or approved by Agriweld could have detrimental effects to the construction or functions of the Agriweld Bag Lift. Agriweld shall not be responsible for any damage caused by the use of spare parts or accessories and ancillary equipment not supplied or approved by Agriweld.

The operator must be aware of their responsibilities with regard to observing traffic regulations. The operator must have the authority to refuse instructions issued by third parties which contravene safety.

Any conversions or modifications to the machine may only be carried out after prior consultation and written confirmation from Agriweld.

## **Further Safety**

Any warning signs/instructions on the implement provide important information and must be observed.

Ensure that you are familiar with the equipment, forklift controls and functions before starting work.

Check round the implement for any noticeable damage, or missing parts before starting work.

It is advisable that the operator wears close fitting clothing to avoid the risk of snagging and trapping.

Ensure that you watch out for wandering individuals (particularly children!).

Always match your speed to the conditions and speed limits imposed.

**Remember to take into account the size of any attachments to the forklift/loader you may have and be aware of the sideways forces acting on the machine when turning and negotiating corners. Always ensure adequate all round visibility.**

## **Special Safety Instructions**

Take extra care when hitching up or un-hitching the bag lift to/from the handler. Be aware of what is under the bag lift (such as someone's feet) before dropping it off.

Ensure that the handler's hydraulic system is in full working order.

Never allow any person to stand between the handler and the bag lift during connection or at any time unless the handler is secured against rolling away by use of a parking brake and/or wheel chocks.

It is forbidden to allow any persons to ride or sit on the bag lift at any time. Observers should maintain a safe distance when machine is in use.

When performing any adjustments to the bag lift the handlers engine must be switched off to prevent the hydraulics from operating.

The driving characteristics of the forklift/loader are influenced and altered by the attachment of mounted machines and it is important to ensure adequate steering and braking ability as required

## **Safety First**

**Everyone is responsible for Health and Safety! Please operate your telescopic handler/forklift or loader with this implement attached in a sensible and safe manner. Be aware of the safety of others at all times.**

## **Operation**

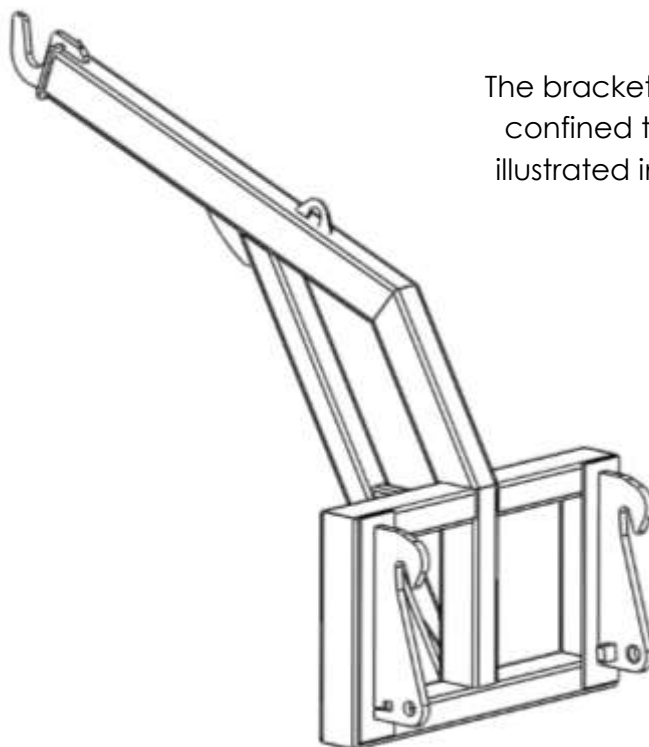
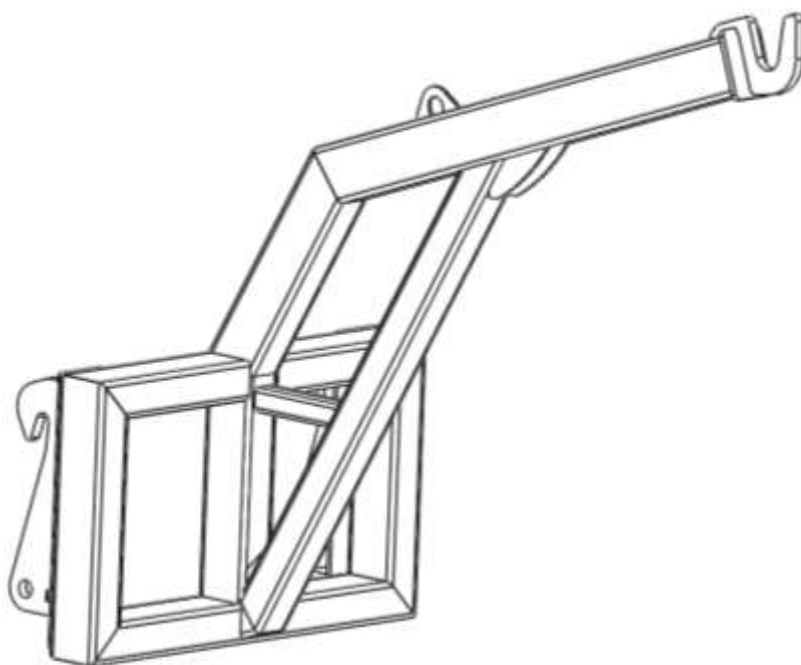
### **GENERAL DO'S & DON'T'S**

After taking note of the recommended safety instructions in this manual, here are a few other recommendations you will need to follow.

1. Ensure that the bag lift is attached to the telescopic handler/forklift/loader correctly and any locking pins are located securely.
2. Ensure that the telescopic handler/forklift/loaders hydraulic system is in full working order prior to use.
3. Allow time, on first use to get used to the handler/forklift/loader with the implement attached.
4. Manoeuver around at a very slow pace and ensure that there are no spectators within close proximity.
5. SAFETY FIRST: We are all responsible for Health and Safety so please use this implement responsibly.


**DO ENJOY USING YOUR BAG LIFT & REMEMBER TO LOOK AFTER IT**

## Full Assembly



The bracketing option is not confined to the example illustrated in these images.

### Stickers

Sticker	Part number	Description	Quantity per Machine
	AW_BL_AS (185 mm x 85mm)	Agriweld Sticker	1
	AW_BL_GB (85mm x 50mm)	Great Britain Sticker	2
	AW_LG_SR	Agriweld Sticker	1
	AW_180_OM	Read operator manual sticker	1



### **Warranty**

Your Agriweld Bag Lift is covered for a period of 12 months from the date of delivery (which is recorded on our files) against faulty components and/or bad workmanship.

Our welders are coded to BS EN 287-1 and our welding procedures are approved in accordance with: BS EN ISO 15614-1 to manufacture your equipment and all products are checked for quality prior to delivery/collection.

We cannot be responsible for claims arising from ignorance, occurrences outside our control, such as accidents, and malicious damage.

Damage occurred during transit must be reported on signing for the item from the haulier to enable us to make a claim for damages caused during transport.

#### **WARRANTY CLAIMS FOR DAMAGE DURING TRANSIT**

Damage occurred during transit via an external haulier must be reported immediately upon unloading and signing for the item. The limit of our liability to undertake repairs to products damaged during transit is dependent on signing for any damaged product upon delivery as "DAMAGED".

## CE DECLARATION OF CONFORMITY

The equipment which accompanies this declaration is in conformity with EU Directive(s):-

### 2006/42/EC Machinery Directive

Manufacturer Name:	Agriweld Ltd
Manufacturer Address:	Main Street Garton-on-the-Wolds Driffield East Yorkshire YO25 3ET
Product	Single Bag Lift
Product Options:	All handlers with lift capacity in excess of 1000kgs
Individual Serial Number:	
Product Description:	AGRIWELD Single Bag Lift
Date of Last Load Test Report:	N/A
Supplementary Information:	
Authorised Signatory on Behalf of Manufacturer:	 
Name of Signatory:	Dawn Foster
Position in Company:	Director
Date of Issue:	