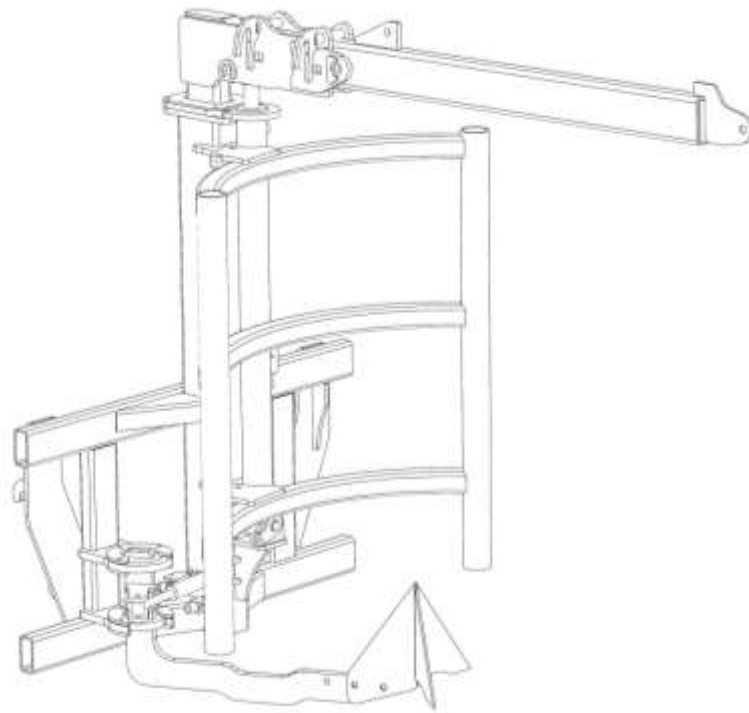


# AGRIWELD

## OPERATOR MANUAL

### ABC Agriweld Bag Cutter



The Workshops  
Main Street  
Garton-on-the-Wolds  
Driffield, YO25 3ET  
Tel: 01377 259140  
Fax: 01377 259141

Email: [sales@agriweld.co.uk](mailto:sales@agriweld.co.uk)

**AGRIWELD**

[www.agriweld.co.uk](http://www.agriweld.co.uk)

## Contents Page

|                 |  |
|-----------------|--|
| <b>Page 3</b>   | Summary and General Safety   |
| <b>Page 3-4</b> | Qualifications, Training, Further Safety & Special Safety Instructions |
| <b>Page 5-6</b> | Operation  |
| <b>Page 7</b>   | Full Assembly  |
| <b>Page 8</b>   | Top arm assembly   |
| <b>Page 9</b>   | Bag cutting blade assembly   |
| <b>Page 10</b>  | Parts list   |
| <b>Page 11</b>  | Hydraulic Diagram  |
| <b>Page 12</b>  | Stickers   |
| <b>Page 13</b>  | Warranty   |
| <b>Page 14</b>  | CE Declaration of Conformity   |

## **Summary & Capacities**

The Agriweld Bag Cutter (ABC) single model is a hydraulically operated, implement used for carrying and cutting 2 x 600kg or 1 x 1000kg fertiliser/seed bags. It is designed to fit any forklift/loader with a minimum capacity of 3000kgs for a twin model or 2000kgs for a single model, by use of the relevant bracketing to suit your forklift/loader and as provided with the implement. It is designed and manufactured by Agriweld in Great Britain.

### **CAPACITY**

Please note the capacity of your ABC as per correct configuration below;

|                                 |                       |
|---------------------------------|-----------------------|
| <b>CONFIGURATION:</b>           | <b>Single ABC</b>     |
| <b>SAFE WORKING LOAD (SWL):</b> | <b>1250Kgs</b>        |
| <b>WEIGHT:</b>                  | <b>Approx. 330Kgs</b> |

### **General Safety**

This manual must be provided to all persons concerned who will be involved with the setting up, operation, maintenance and use of the forklift/loader and the bag lift and must be available at all times.

If important safety instructions are not complied with, it can lead to the risk of injury to yourself and others as well as damage to property and the environment.

#### **PLEASE NOTE**

NON COMPLIANCE WITH SAFETY INSTRUCTIONS CAN LEAD TO WARRANTY CLAIMS BECOMING INVALID.

### **Qualifications and Training**

Only personnel with the appropriate forklift licence is authorised to use this machine.

Statutory minimum age limits must be observed and reliable personnel only should perform maintenance work on this implement.

Persons undergoing training or instruction or taking part in a general training course should only use this machine under direct supervision of an experienced and trained



person.

The use of spare parts, accessories and ancillary equipment not supplied or approved by Agriweld could have detrimental effects to the construction or functions of the Agriweld Bag Lift. Agriweld shall not be responsible for any damage caused by the use of spare parts or accessories and ancillary equipment not supplied or approved by Agriweld.

The operator must be aware of their responsibilities with regard to observing traffic regulations. The operator must have the authority to refuse instructions issued by third parties which contravene safety. Any conversions or modifications to the machine may only be carried out after prior consultation and written confirmation from Agriweld.

### **Further Safety**

Any warning signs/instructions on the implement provide important information and must be observed.

Ensure that you are familiar with the equipment, forklift controls and functions before starting work.

Check round the implement for any noticeable damage, or missing parts before starting work.

It is advisable that the operator wears close fitting clothing to avoid the risk of snagging and trapping.

Ensure that you watch out for wandering individuals (particularly children!).

Always match your speed to the conditions and speed limits imposed.

**Remember to take into account the size of any attachments to the forklift/loader you may have and be aware of the sideways forces acting on the machine when turning and negotiating corners. Always ensure adequate all round visibility.**

### **Special Safety Instructions**

Take extra care when hitching up or un-hitching the ABC to/from the forklift/loader. Be aware of what is under the ABC (such as someone's feet) before dropping it off.

Ensure that the forklift/loaders hydraulic system is in full working order.

Never allow any person to stand between the forklift/loader and the ABC during connection or at any time unless the forklift/loader is secured against rolling away by

use of a parking brake and/or wheel chocks.

It is forbidden to allow any persons to ride or sit on the ABC at any time. Observers should maintain a safe distance when machine is in use.

When performing any adjustments to the ABC the forklift/loader engine must be switched off to prevent the hydraulics from operating.

## **Safety First**

**Everyone is responsible for Health and Safety! Please operate your forklift or loader with this implement attached in a sensible and safe manner. Be aware of the safety of others at all times.**

### **Operation**

1. Ensure that the ABC is attached to the forklift/loader correctly and any locking pins are located securely.
2. Ensure that the forklift/loaders hydraulic system is in full working order prior to use.
3. Allow time on first use to get used to the forklift/loader with the implement attached.
4. Manoeuvre around at a very slow pace and ensure that there are no spectators within close proximity or overhead obstructions.
5. SAFETY FIRST: We are all responsible for Health and Safety so please use this implement responsibly. Please follow the operation instructions below.

### **General Operation**

Once mounted to the forklift/loader and you are ready to proceed the following step by step instructions will help to guide you through use.

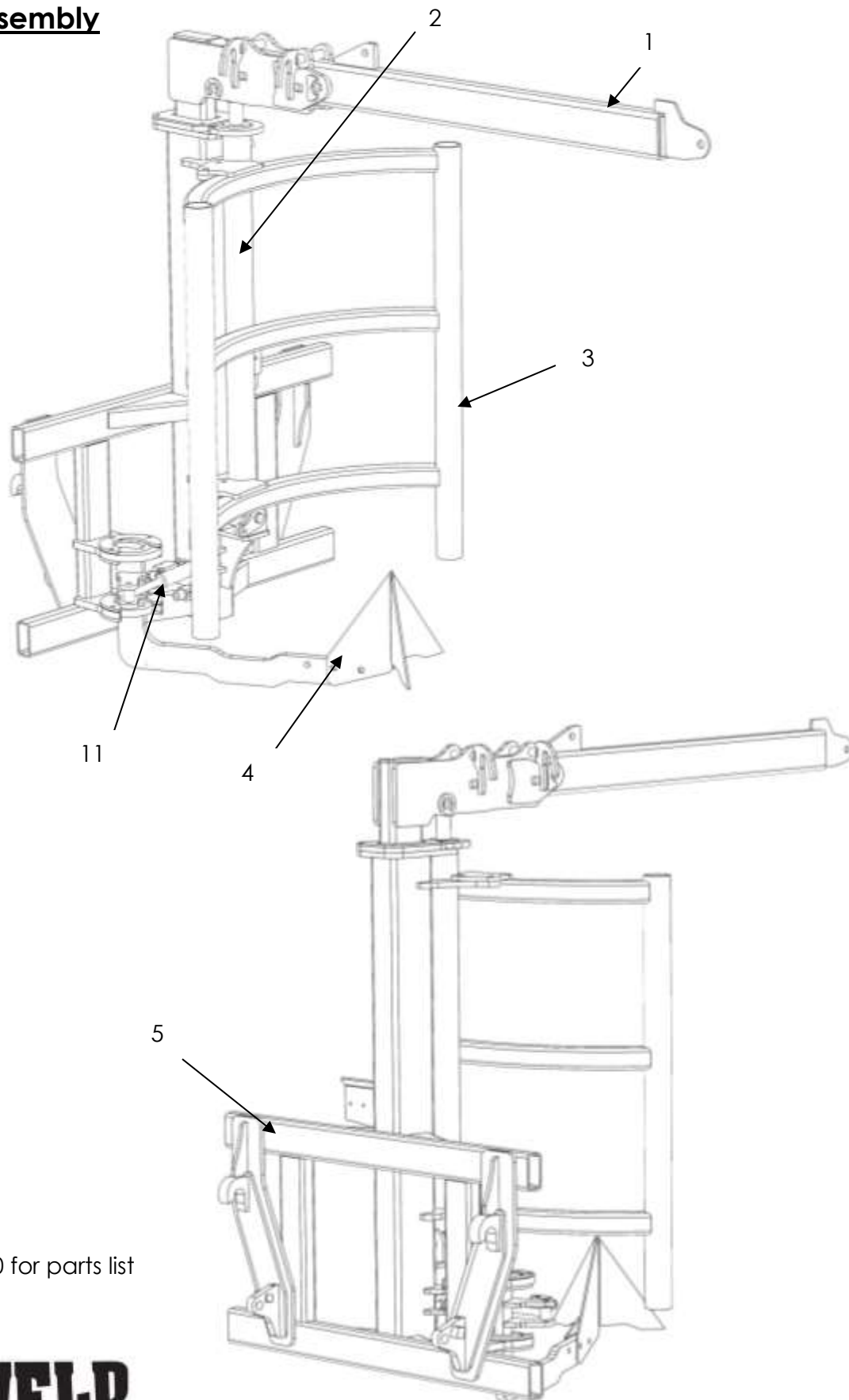
1. Pick up the bags ensuring that the bag loops are located fully up to the "stop" positioned on top of the lift arms.
2. Raise the bags off the floor or trailer using the forklift and tilt back slightly to keep the load against the support cradle.
3. We recommend that you drive to the spreader or drill with the bag lift arms fully closed at this point and NOT RAISED.
4. When at the desired location, **YOU MUST CHECK ABOVE FOR ANY OVERHEAD CABLES OR OBSTRUCTIONS** and move to a safer location if required. When it is deemed safe to proceed, lift the bag cutter arms fully up using the hydraulics. Once in this position, the cutters will automatically swing forward into the cutting position.
5. Lower the bags using the hydraulics onto the cutters. There is no need to bury the cutter right up into the bag. When the bag is pierced sufficiently for the



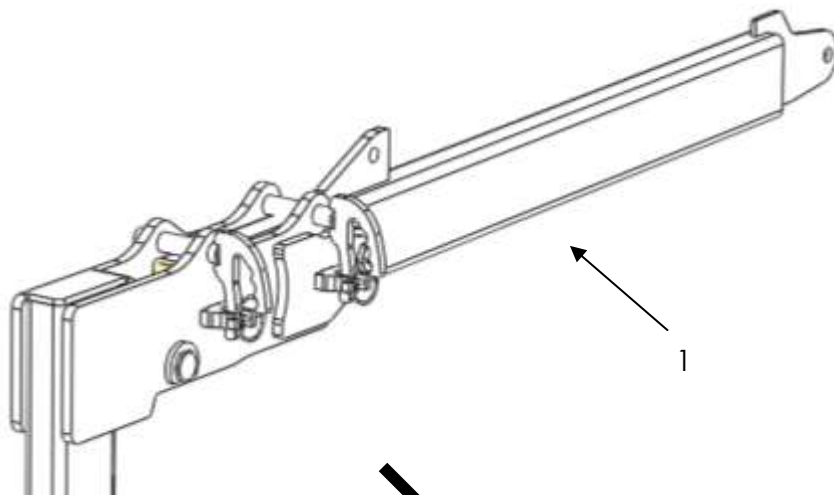
product to flow quickly, lift the bag/s up off the cutter/s and let the bag fully empty.

6. **If loaded with 2 x 600kg bags, tilt fully back so that the second bag slides down to the “stop” as you did for the first bag and repeat the operation.**
7. When you have emptied the bags, keeping the bag lift arms raised, drive to a safe location, to drop off the empty bags. **BEWARE OF ANY OVERHEAD CABLES & OBSTRUCTIONS whilst manoeuvring around**
8. With the cutters still in their working position, tilt the forklift carriage forwards so that the bags slide off.
9. Tilt back to return the bag cutter to normal position and lift the bag cutter arms fully up. The cutters will then retract and the operation is complete.

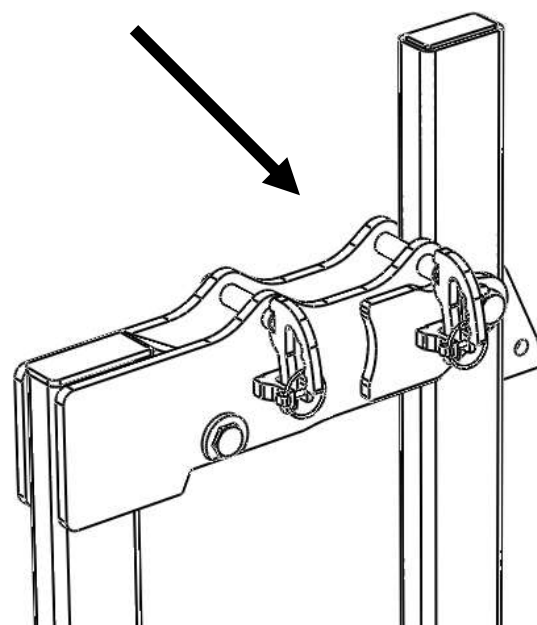
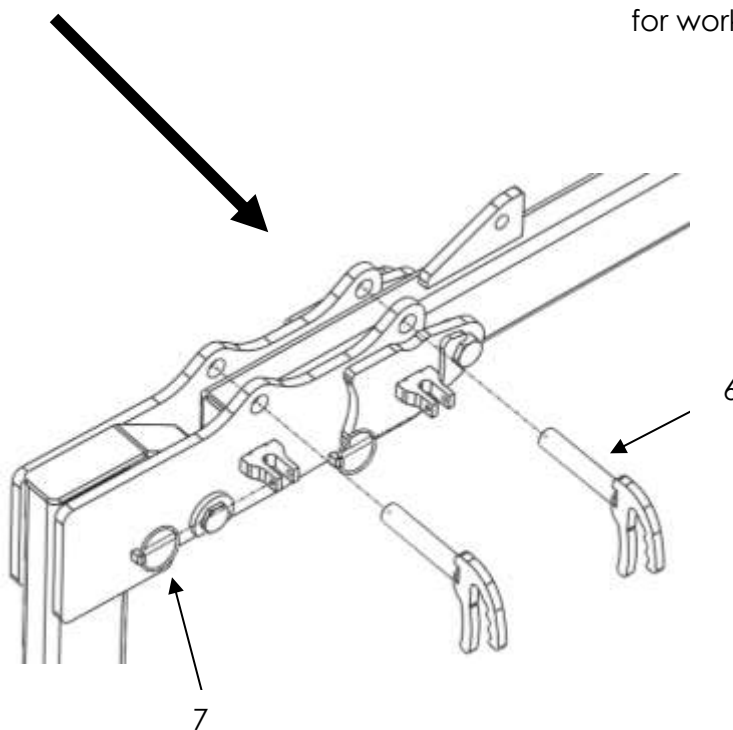
**Full Assembly**



See page 10 for parts list



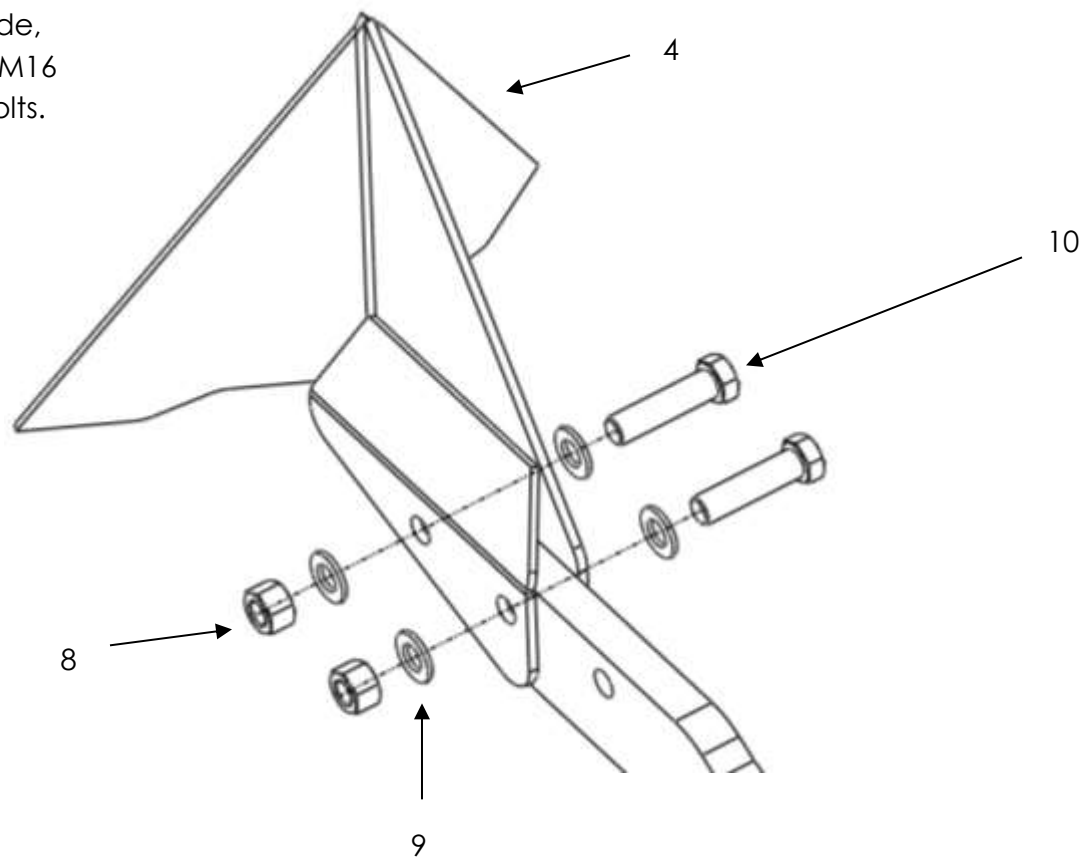
To put arm in transport position, remove lynch pins (7) and pull out the Top arm securing pins (6). This will allow the arm to fold down to the transport position. Replace main top arm securing pins and lynch pins for working position.



See page 10 for parts list



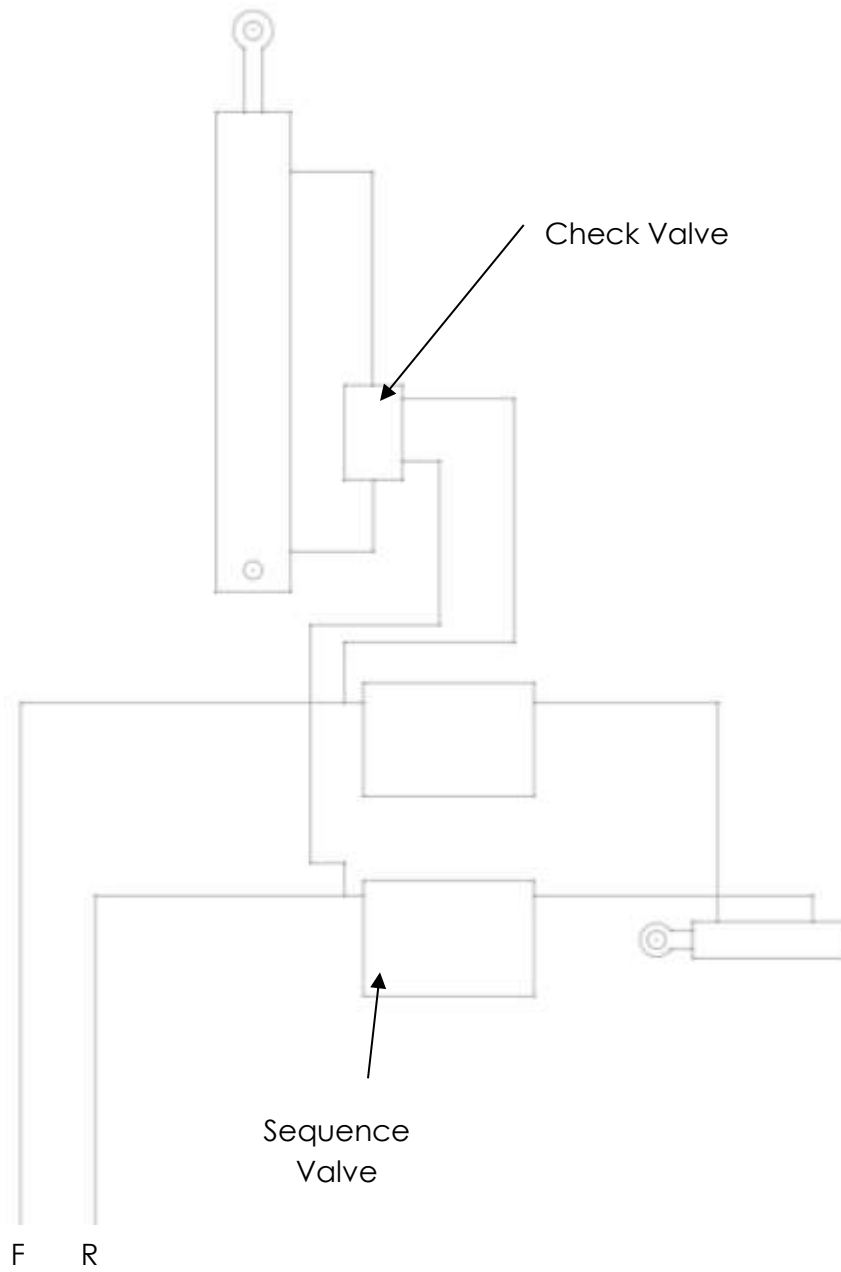
To remove the bag cutting blade, remove the M16 Nuts and bolts.










See page 10 for parts list

| <u>No</u> | <u>Part No</u>     | <u>Description</u>               | <u>Quantity Per Machine</u> |
|-----------|--------------------|----------------------------------|-----------------------------|
| <u>1</u>  | 120_60_01          | Main top arm                     | 1                           |
| <u>2</u>  | D30_60_1000_ST_CYL | Lift Rams                        | 1                           |
| <u>3</u>  | -                  | Main Frame Guard                 | 1                           |
| <u>4</u>  | 0606_SS            | Bag Cutting Blade                | 1                           |
| <u>5</u>  | -                  | Brackets (for Illustration only) | 1                           |
| <u>6</u>  | Top_Tube_Pin_01    | Top arm securing pin             | 2                           |
| <u>7</u>  | LP6Z               | Linch Pin                        | 2                           |
| <u>8</u>  | AW_M16_N           | M16 Nut                          | 1                           |
| <u>9</u>  | AW_M16_W           | M16 Washer                       | 2                           |
| <u>10</u> | AW_M16X50_B        | M16 Bolt                         | 1                           |
| <u>11</u> | D20_32_100_CB_CYL  | Cutter rams                      | 1                           |

### Hydraulic Diagram



### Stickers

| Sticker   | Part number                     | Description                  | Quantity per Machine |
|---|---------------------------------|------------------------------|----------------------|
|    | AW_BL_AS<br><br>(185 mm x 85mm) | Agriweld Sticker             | 1                    |
|    | AW_BL_GB<br><br>(85mm x 50mm)   | Great Britain Sticker        | 2                    |
|   | AW_ABC_17                       | ABC Sticker                  | 2                    |
|  | AW_180_OM                       | Read operator manual sticker | 1                    |
|  | AW_ST                           | Agriweld Stencil Sticker     | 2                    |
|  | AW_GN                           | Grease Nipple Sticker        | 4                    |
|  | AW_HT                           | Hand Trap Warning            | 2                    |

### **Warranty**

Your Agriweld Bag Cutter is covered for a period of 12 months from the date of delivery (which is recorded on our files) against faulty components and/or bad workmanship.

Our welders are coded to BS EN 287-1 and our welding procedures are approved in accordance with: BS EN ISO 15614-1 to manufacture your equipment and all products are checked for quality prior to delivery/collection.

We cannot be responsible for claims arising from ignorance, occurrences outside our control, such as accidents, and malicious damage.

Damage occurred during transit must be reported on signing for the item from the haulier to enable us to make a claim for damages caused during transport.

#### **WARRANTY CLAIMS FOR DAMAGE DURING TRANSIT**

Damage occurred during transit via an external haulier must be reported immediately upon unloading and signing for the item. The limit of our liability to undertake repairs to products damaged during transit is dependent on signing for any damaged product upon delivery as "DAMAGED".

**CE DECLARATION OF CONFORMITY**

The equipment which accompanies this declaration is in conformity with EU Directive(s):-

**2006/42/EC Machinery Directive**

|  |  |
|--|--|
| Manufacturer Name:                             | Agriweld Ltd   |
| Manufacturer Address:                          | Main Street<br>Garton-on-the-Wolds<br>Driffield<br>East Yorkshire<br>YO25 3ET  |
| Product:                                       | ABC Agriweld Bag Cutter  |
| Product Options:                               | Single model   |
| Individual Serial Number:                      |  |
| Product Description:                           | AGRIWELD Bag Cutter used for carrying/transporting & cutting 2 x 600kg fertiliser/feed bags.   |
| Date of Last Load Test Report:                 | N/A  |
| Supplementary Information:                     |  |
| Authorised Signatory on Behalf of Manufacture: | <br> |
| Name of Signatory:                             | Dawn Foster  |
| Position in Company:                           | Director   |
| Date of Issue:                                 |  |

