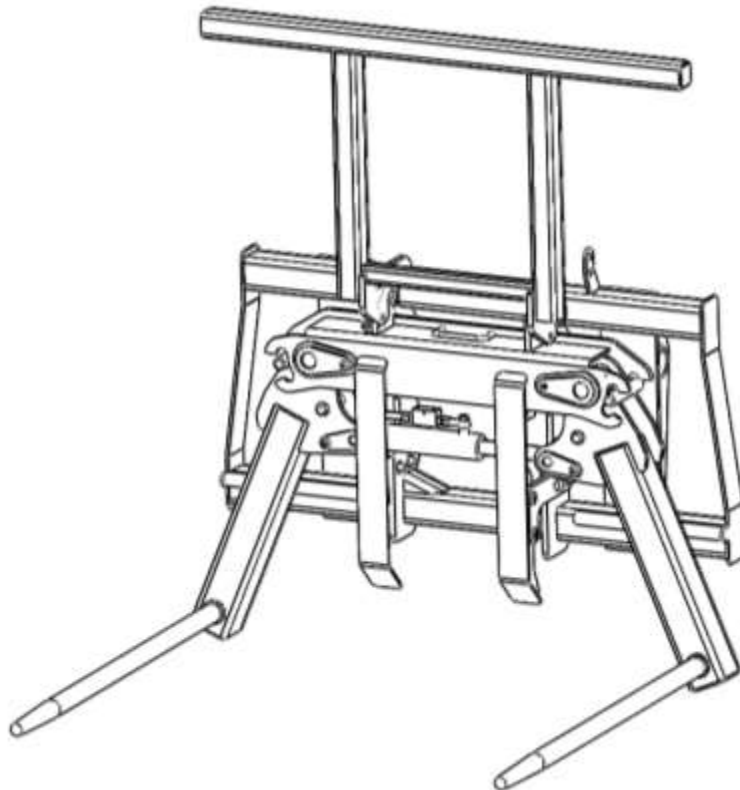


AGRI WELD

Operator Manual CONTRACTOR RANGE BALE SQUEEZER



The Workshops
Main Street
Garton-on-the-Wolds
Driffield, YO25 3ET
Tel: 01377 259140
Fax: 01377 259141
Email: sales@agriweld.co.uk

AGRI WELD

Contents

Page 3	User Information & Getting Started
Page 4	Dangers, operating errors and exemption from liability, qualification & training
Page 5-6	General safety
Page 7	Full Assembly
Page 8	Main Frame
Page 9	Parts List
Page 10-11	Main bale spike arm
Page 12	Forklift Brackets
Page 13	Stickers
Page 14	Warranty
Page 15-16	Maintenance
Page 17	CE Declaration of Conformity

User information

Before using your Bale squeezer for the first time it is IMPORTANT that all operators make themselves familiar with the unit and must read this OPERATOR MANUAL and SAFETY INSTRUCTIONS attentively.

Getting started

The Bale squeezer will be fitted and delivered with the correct quick-hitch brackets to suit the fork-lift/loader it is intended to fit.

The Bale squeezer will also be fitted with the correctly swaged hydraulic pipes and fittings applicable to your forklift/loader and as per your request. If these pipes are damaged they must be replaced immediately with NEW pipes and fittings. **DO NOT ATTEMPT TO REPAIR HYDRAULIC PIPES OR ALLOW ANY ONE ELSE TO REPAIR THEM.**

Any replacements can be ordered from us and sent to you overnight if required.

The Bale squeezer is a low maintenance unit, and requires little mechanical attention as such, other than **greasing the main pivots, and hydraulic ram/rod ends at the greasing points located and visible at these areas and by following a general basic care routine.**

Your **Bale Grab weighs 270 Kgs** including bracketing and has a **max capacity of 850 Kgs in relation to the capacity of the tines.**

NOTE: During use, please be aware of increased weight due to shock loading. This includes performing manoeuvres such as driving down a rough field, at some speed, loaded with bales. The resulting bouncing effect is known as shock loading and the weights can be significantly magnified to the point of overload.

The Bale squeezer is not to be used for any other purpose than for which it is intended - **It is not to be used as a fork lift.** Damage to the unit resulting from overload will not be covered under warranty.

The specifications, descriptions and illustrations in this manual are accurate at the time of publication but may be subject to change.



Safety

All operators of the Bale squeezer and forklift/loader must hold the appropriate forklift licence or certificate of competence to do so.

All operators must be familiar with the Bale squeezer Operator Manual and forklift/loader operations prior to use. If safety instructions are not observed and complied with it can lead to the risk of injury to the operator and others as well as damage to the machine, property and the environment. Non-compliance to the safety instructions can lead to claims for damages/injury becoming invalid.

Dangers, operating errors and exemption from liability

1. No responsibility will be accepted for possible dangers arising from operations complying with the designated use.
2. Damage to bales and coverings, particularly vulnerable to damage during processing cannot be entirely ruled out. Weather conditions, the quality of the produce and many other circumstances beyond our or the operator's control have an influence on the vulnerability to damage of the produce being processed. Many circumstances can have an influence on the vulnerability to damage of produce and these examples are not exhaustive.
3. Agriweld shall not be liable for any damage to agricultural produce and other items, which occurs as a result of normal operating, adjustments errors or other incorrect usage.
4. Agriweld accepts no liability for any damage caused as a result of operations not complying with the designated use of the machine. This also applies to damage to agricultural produce caused by certain external influences, which cannot be avoided with the current state of the art.

SAFETY NOTE: For transport of this machine on public roads, please be aware that the spikes/tines will require suitable covering, or removing in order to protect other road users.

Qualification & training

Only personnel with the appropriate forklift/loader licence are authorised to use this machine.

Statutory minimum age limits must be observed and reliable personnel only should perform maintenance/work on this machine.



Persons undergoing training or instruction or taking part in a general training course should only use this machine under direct supervision of an experienced and trained person.

Agriweld shall not be responsible for any damage/injury caused by the use of parts/repairs not supplied and/or approved by Agriweld.

General safety

Any warning signs/instructions on the machine provide important information and must be observed.

Ensure that you are familiar with the machine before starting work.

Check round the machine for any noticeable damage, or missing parts before starting work.

It is advisable that the operator does not wear jewellery and loose-fitting clothing to avoid the risk of snagging and trapping.

Ensure that you are working in an area clear of obstructions and watch out for wandering individuals (particularly children!).

Important Safety Instructions

Take extra care when attaching the Bale squeezer to the forklift/loader to ensure that it is attached correctly via the bracketing and hydraulic fittings. (See page 7 Connection to the forklift/loader).

Ensure that the forklift/loader and its hydraulic system is in full working order.

Never allow any person to stand between the forklift/loader and the Bale squeezer during connection or at any time.

Never exceed the permissible weight of the bales for handling.

Take into account the protrusion of the Bale Rotator and tines when manoeuvring around and take particular care when approaching junctions and negotiating corners.

The driving characteristics of the forklift/loader are influenced and altered by the attachment of mounted machines and it is important to ensure adequate steering and braking ability as required.



Never allow any person to sit or ride on the Bale squeezer at any time

Never perform any adjustments to the Bale squeezer whilst mounted, unless the forklift/loader is stopped, turned off and the Bale Rotator is resting on the ground where possible.

Ensure that the forklift/loader cannot roll away by use of a park brake or wheel chocks.

Never allow any person to stand or work beneath a suspended load.

It is forbidden to allow persons to ride on the Bale squeezer or the forklift/loader it is attached to, at any time.

Keep clear of the unit whilst under operation to prevent injury.

Rules of Conduct for Operation

The following points must always be observed before and during operation:

- Never leave the machine unattended.
- Check the machine regularly for oil leakage. Replace defective components immediately.
- The user is responsible for damage to the produce caused by incorrect use or by oil leakage.
- Check the machine for dirt accumulation and clean it on a regular basis.

HYDRAULIC SYSTEM RULES OF CONDUCT

DANGER

The hydraulic system is under high pressure!

Fluids escaping under high pressure can penetrate the skin and cause serious injuries! If such injuries occur, call a doctor immediately as otherwise there is a risk of serious infection!

Consequently: Work only on the hydraulic system when the hydraulic system is depressurized and the drive is switched off.

Note: Components of this machine are driven hydraulically. Replace defective hose connections immediately.



FULL ASSEMBLY

Additional Removable Bale Support



Main Squeeze Arm



Ram Protectors



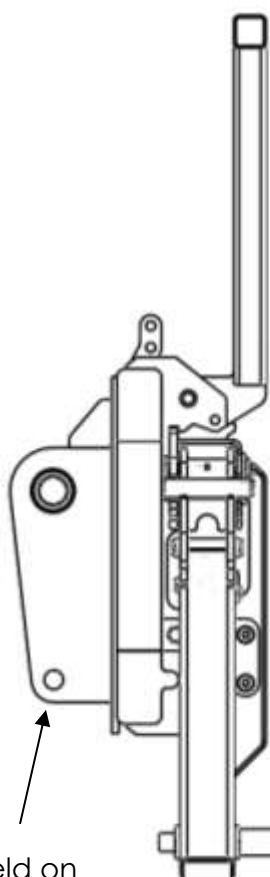
Main Squeeze Ram
(D3050200CB)



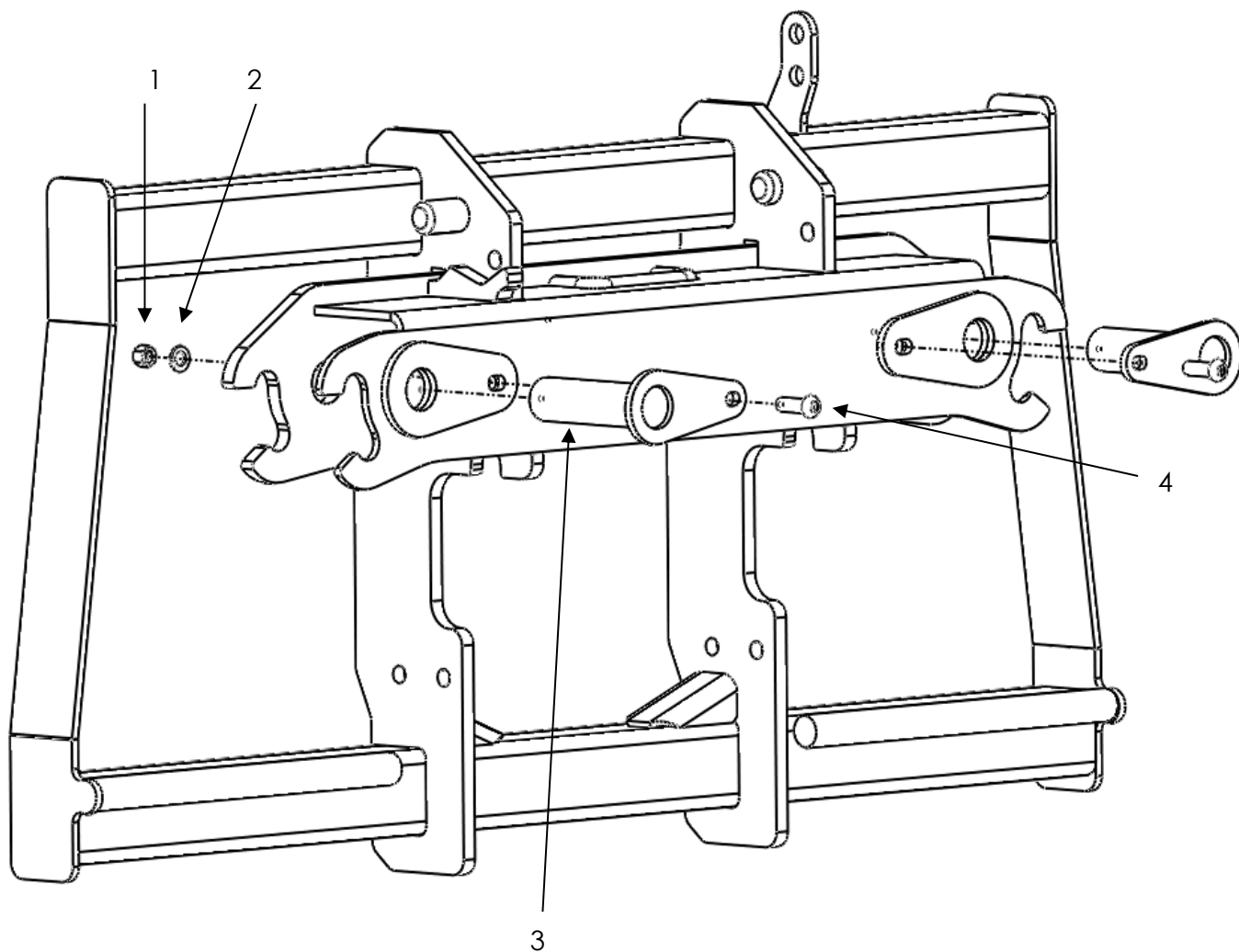
Bale Spike
(1240mm usable length)



Weld on Bracketing



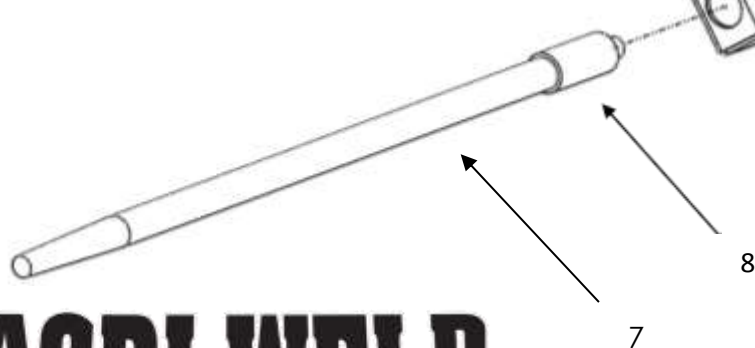
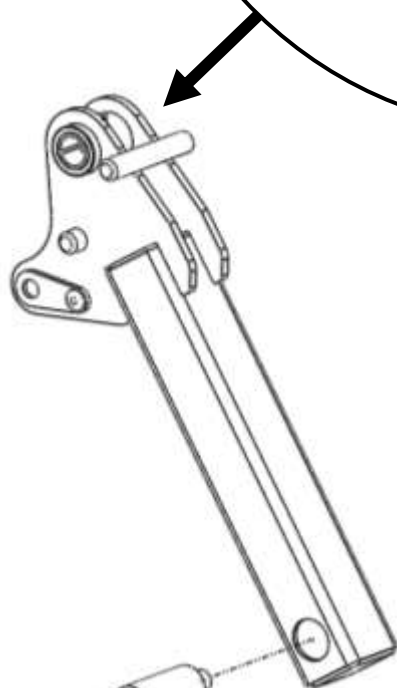
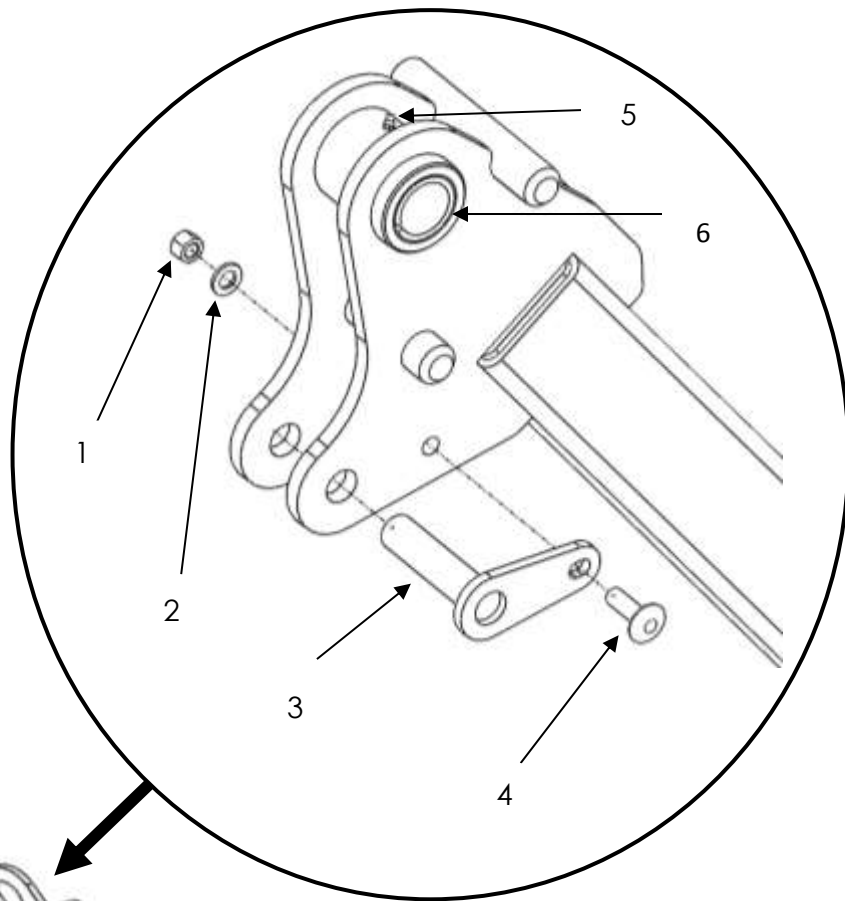
MAIN FRAME



MAIN FRAME PARTS LIST

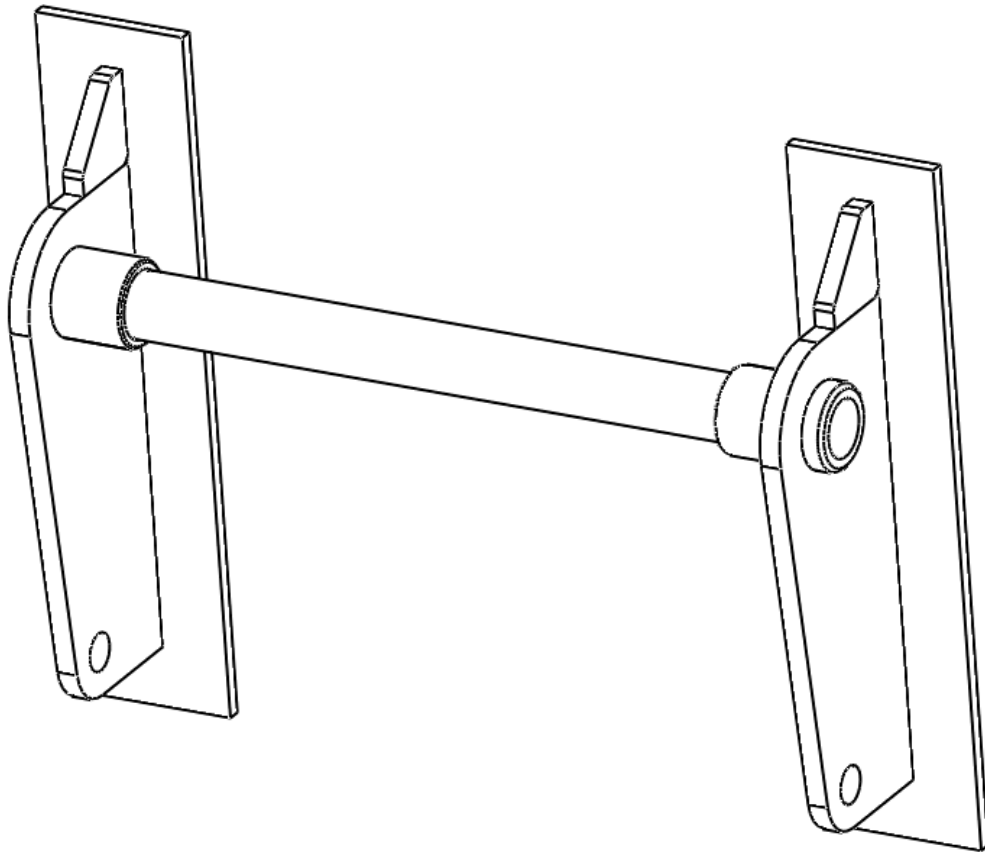
Item Number	Part Number	Description	Quantity per Machine
1	AW_M12_N	Nut	4
2	AW_M12_W	Washer	4
3	AW_BS_01	Pivot Pin	2
4	AW_M12_40_DH	Pivot Pin Bolt	4

MAIN BALE SPIKE ARM







Item Number	Part Number	Description	Quantity per Machine
1	AW_M12_N	Nut	4
2	AW_M12_W	Washer	4
3	AW_BS_01	Pivot Pin	2
4	AW_M12_40_DH	Pivot Pin Bolt	4
5	AW_M6_GN	Grease Nipple	2
6	50-40-50	Spring Tension Bush	4
7	4042	Straight tapered point 1240mm tines	2
8	4020	Conus 2 bushes	2

FORKLIFT BRACKETS



Weld on Manitou brackets for example only. (See Image on Page 7)

STICKERS

Sticker	Part number	Description	Quantity per Machine
 <p>AGRIWELD AGRICULTURAL MACHINERY MANUFACTURERS TEL 01377 259140</p>	AW_BS_AS (185 mm x 85mm)	Agriweld Sticker	2
 <p>MADE GREAT IN BRITAIN</p>	AW_BS_GB (85mm x 50mm)	Great Britain Sticker	2
	AW_BS_GN	Grease Nipple Sticker	4
	AW_SRB_ALS	Agriweld Sticker	2



AGRIWELD

WARRANTY

Your Agriweld Bale Squeezer is covered for a period of 12 months from the date of despatch (which is recorded on our files) against faulty components and/or bad workmanship.

Our welders are coded to BS EN 287-1 and our welding procedures are approved in accordance with: BS EN ISO 15614-1 to manufacture your equipment and all products are checked for quality prior to despatch/collection.

We cannot be responsible for claims arising from ignorance, occurrences outside our control, such as accidents, and malicious damage.

Damage occurred during transit must be reported on signing for the item from the haulier to enable us to make a claim for damages caused during transport.

WARRANTY CLAIMS FOR DAMAGE DURING TRANSIT

Damage occurred during transit via an external haulier must be reported immediately upon unloading and signing for the item. The limit of our liability to undertake repairs to products damaged during transit is dependent on signing for any damaged product upon delivery as "DAMAGED".



MAINTANENCE

Regular maintenance is a prerequisite for good operational reliability. The following safety advice is to be observed before starting any maintenance, cleaning or repair work.

Trained personnel may only execute maintenance activities.

Inform operating personnel before beginning special operations and maintenance work! Delegate a supervisor!

If necessary, ensure that the maintenance area is adequately secured.

Use suitable tools and wear gloves when working on the machine!

Switch off the machine completely for maintenance and repair work and ensure that it is protected against inadvertent starting by:

Locking the principal controls and removing the ignition key and/or detaching the hydraulic supply.

Carry out maintenance and repair work only when the machine is positioned on stable and level ground and has been secured against involuntary movement and toppling.

To avoid the risk of accidents, individual parts and larger subassemblies being moved for replacement purposes should be carefully securely attached to lifting tackle. Use only suitable hoisting and lifting gear with adequate load capacity, which is in proper working condition. Never work or stand under suspended loads!

The securing of loads and the instruction of crane operators should only be entrusted to experienced persons. A signaler giving instructions must be within sight of the crane operator or must be provided with a radio link.

For carrying out overhead work, always use specially designed facilities or safe ladders/platforms. Never climb on the machine itself! Wear a safety harness when carrying out maintenance work at greater heights.

Clean the machine, especially connections and threaded unions, of any traces of oil, fuel or preservatives before carrying out maintenance/repairs! Never use aggressive detergents. Use lint-free cleaning cloths.

Before cleaning the machine with water or steam jets (high-pressure cleaners) or other cleaning agents, cover or tape all openings which – for safety and operational reasons – must be protected against ingress of water, steam or cleaning agents.

After cleaning, examine all fuel, lubricant and hydraulic oil lines for leaks, loose connections, scuffing marks and damage. Any defects found must be rectified without delay.

Always retighten any screwed connections that have been unscrewed during maintenance and repairs.

Any safety devices removed for setting-up, maintenance or repair purposes must be refitted and checked immediately upon completion of the maintenance and repair work and prior to operation.

We recommend greasing your Bale squeezer using a good quality general purpose grease weekly whilst working under normal conditions, and twice weekly under extreme use and or very dry/dusty conditions.

Greasing Instructions

Whilst connected to the Forklift/loader grease pivot pins via the greasing points in the bushes and the ram rod/base ends until you can visibly see the excess grease coming back out.

Being aware of your own safety/safety of others, work the machine to allow the grease to penetrate all areas.

Check the 2 bale spikes are secure and that the fixings are intact and tight.

You are now ready to use the machine again.

It is important to follow the recommended greasing routine to protect your Bale squeezer from damage and prolong the lifespan of its main operating parts.

Failure to carry out this maintenance may result in your warranty becoming invalid due to non-maintenance.



CE DECLARATION OF CONFORMITY

The equipment which accompanies this declaration is in conformity with EU Directive(s):-

2006/42/EC Machinery Directive

Manufacturer Name:	Agriweld Ltd
Manufacturer Address:	Main Street Garton-on-the-Wolds Driffield East Yorkshire YO25 3ET
Product:	CONTRACTOR Bale Squeezer
Product Options:	All
Individual Serial Number:	
Product Description:	CONTRACTOR Bale Squeezer Weight: 270 Kgs Capacity: 850 Kgs
Date of Last Load Test Report:	N/A
Supplementary Information:	
Authorised Signatory on Behalf of Manufacturer:	
Name of Signatory:	Dawn Foster
Position in Company:	Director
Date of Issue:	