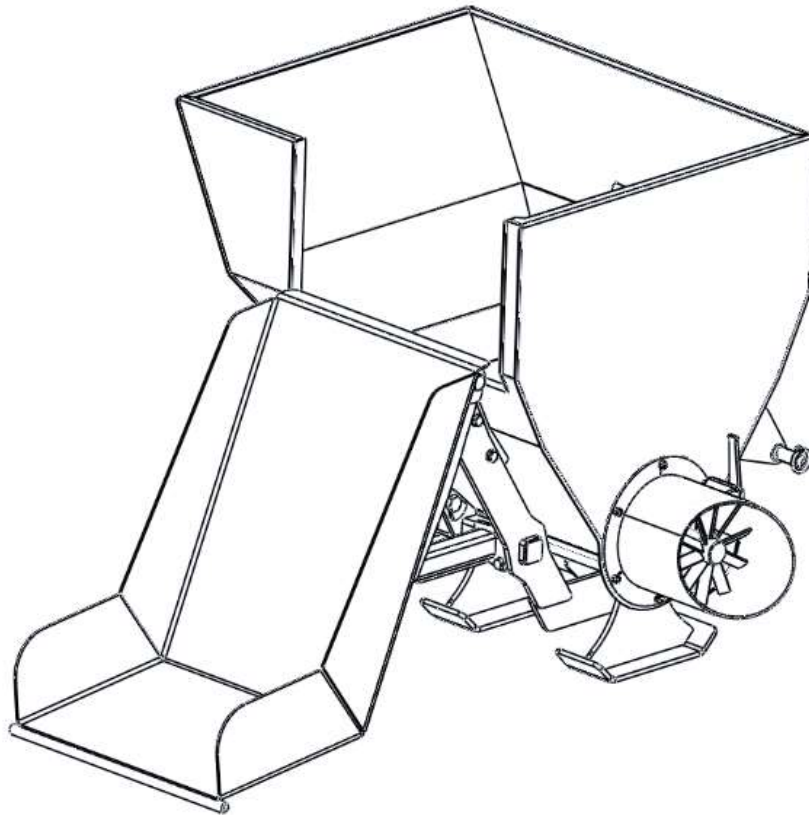


# AGRI WELD

## OPERATOR MANUAL

### Chopper Hopper



**AGRI WELD**

[www.agriweld.co.uk](http://www.agriweld.co.uk)

The Workshops  
Main Street  
Garton-on-the-Wolds  
Driffield, YO25 3ET  
Tel: 01377 259140  
Fax: 01377 259141  
Email: [sales@agriweld.co.uk](mailto:sales@agriweld.co.uk)

## Contents

<b>Page 3</b>	User information, getting started, weight & capacity
<b>Page 4</b>	Spout fitting instructions
<b>Page 5</b>	Safety & qualifications & training
<b>Page 6</b>	Important safety information
<b>Page 7</b>	Connection to the tractor
<b>Page 8</b>	Operation
<b>Page 9</b>	Remove a blockage & weekly maintenance
<b>Page 10</b>	Full assembly
<b>Page 11</b>	Auger/drive assembly & parts list
<b>Page 12</b>	Stand/hopper mounting frame assembly
<b>Page 13</b>	Stand/hopper mounting frame parts list
<b>Page 14</b>	Scoop assembly & parts list
<b>Page 15</b>	Cutting die/stone trap assembly & parts list
<b>Page 16</b>	Stickers
<b>Page 17</b>	Warranty
<b>Page 18</b>	CE Declaration of conformity

## USER INFORMATION

Before using your Chopper Hopper for the first time it is important that all operators make themselves familiar with the unit and must read this Operator Manual attentively.

### GETTING STARTED

Your Chopper Hopper is manufactured to fit the tractors rear 3 – point linkage with CAT 2 linkage fittings. The appropriate hydraulic pipes and fittings applicable to your tractor are also included. If these pipes are damaged they must be replaced immediately with new pipes and fittings. **DO NOT ATTEMPT TO REPAIR HYDRAULIC PIPES OR ALLOW ANY ONE ELSE TO REPAIR THEM.**

Any replacements can be ordered from us and sent to you overnight if required.

Your Chopper Hopper is a low maintenance machine, and requires minimum mechanical attention as such, other than **greasing and checking all bolts and fittings for tightness.**

### WEIGHT , CAPACITY & USE

Maximum 0.75m<sup>3</sup> = 350kg

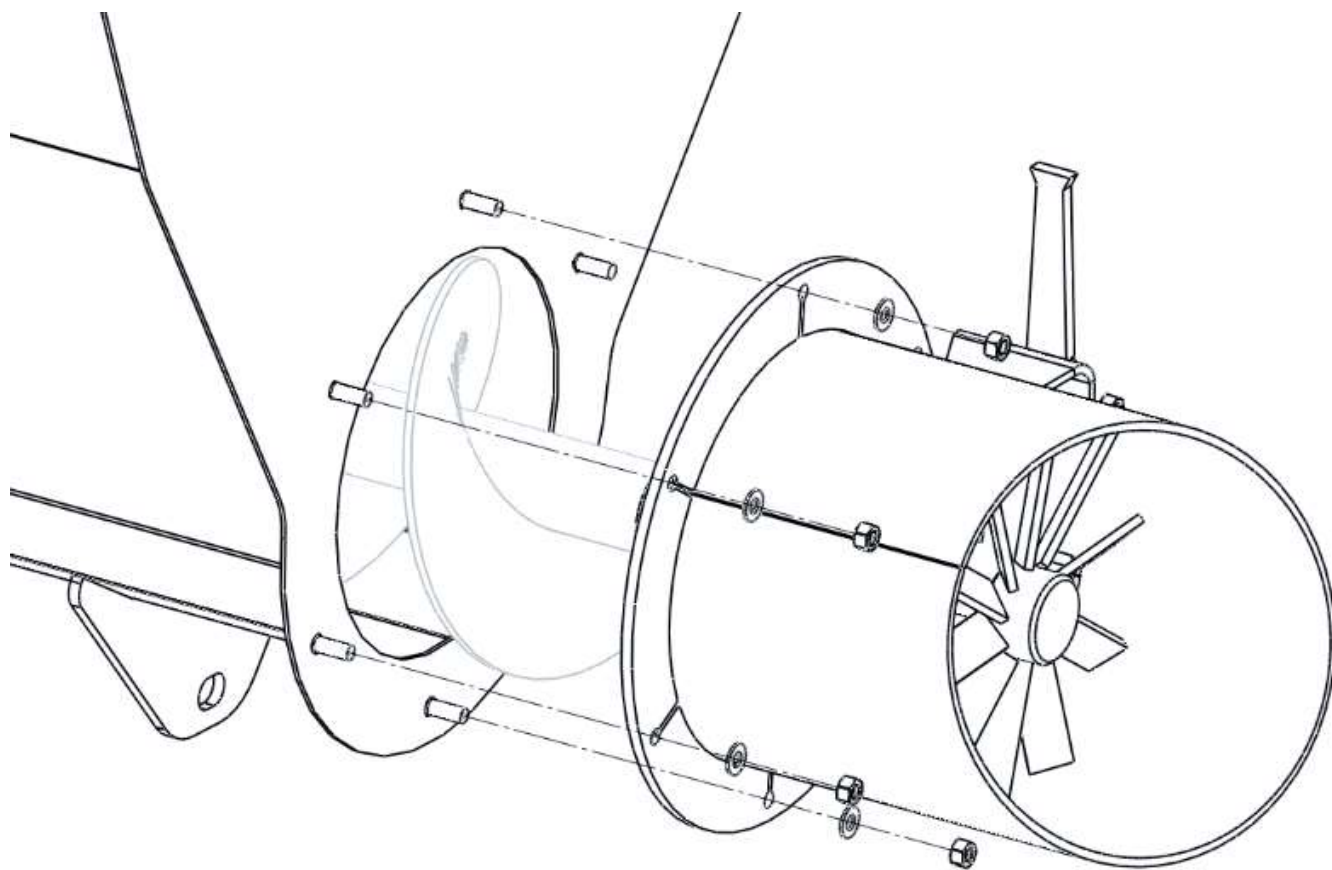
Your Chopper Hopper is not to be used for any other purpose than for which it is intended - that is the collection, discharge and chopping of root feed and the discharging of cereals, nuts. Damage as a result of use for other purposes will not be covered under warranty.

The specifications, descriptions and illustrations in this manual are accurate at the time of publication but may be subject to change.

### **SPOUT FITTING INSTRUCTIONS (check correct!!!!)**

Spout may require fitting to stone trap before operation.

1. Push spout shaft fully in to nylon bush located on end of auger shaft.
2. Spout will turn freely on shaft to enable alignment of yellow markers.
3. Locate fixing bolts (M10 x 30mm cup head square) x 6 into flanges, and ensure flange edges are flush and level and tighten bolts using washers (on nylock side only) and nylock nuts. Ensure these are tight.



## **SAFETY**

All operators of the tractor and Chopper Hopper must be authorised and competent to do so.

All operators must be familiar with the Chopper Hopper Operators Manual and tractors operations prior to use. If safety instructions are not observed and complied with it can lead to the risk of injury to the operator and others as well as damage to the machine, property and the environment. Non-compliance to the safety instructions can lead to claims for damages/injury becoming invalid.

## **QUALIFICATION & TRAINING**

Only personnel with the appropriate competence/training are authorised to use this machine.

Statutory minimum age limits must be observed and reliable personnel only should perform maintenance/work on this machine.

Persons undergoing training or instruction or taking part in a general training course should only use this machine under direct supervision of an experienced and trained person.

Agriweld shall not be responsible for any damage/injury caused by the use of parts/repairs not supplied and/or approved by Agriweld.

## **GENERAL SAFETY**

Any warning signs/instructions on the machine provide important information and must be observed.

Ensure that you are familiar with the machine before starting work.

Check round the machine for any noticeable damage, or missing parts before starting work.

It is advisable that the operator does not wear jewellery and baggy clothing to avoid the risk of snagging and trapping.

Ensure that you are working in an area clear of obstructions and watch out for wandering individuals (particularly children!). Ensure that you are working in an area clear of obstructions and watch out for wandering individuals (particularly children!).



### **IMPORTANT SAFETY INSTRUCTIONS**

- Take extra care when attaching the Chopper Hopper to the tractor rear 3 – point linkage to ensure that it is attached correctly.
- Ensure that the tractors hydraulic system is in full working order.
- Never allow any person to stand between the tractor and the Chopper Hopper during connection, or at any time.
- Take into account the protrusions of the Chopper Hopper when manoeuvring around and take particular care when leaving junctions and negotiating corners.
- Driving characteristics are influenced and altered by the attachment of mounted machines and it is important to ensure adequate steering and braking ability as required.
- Never allow any person to ride on or in the bucket at any time.
- Never perform any adjustments to the hopper whilst mounted, unless the tractor is stopped, turned off and the hopper is resting on the ground.
- Ensure that the tractor cannot roll away by use of a park brake or wheel chocks.
- Never allow any person to stand or work beneath a suspended load.
- It is forbidden to allow persons to ride on the hopper at any time.

## **CONNECTION TO THE TRACTOR**

Your Chopper Hopper will be delivered already fitted with the CAT 2 linkage fittings and hydraulic hoses/fittings appropriate to your tractor.

If for any reason the hydraulic fittings are lost or damaged they must be replaced with the same specification to ensure correct use.

For your own safety, always place the hopper on the ground and turn off the tractor before attempting any changes.

Position the Chopper Hopper in a location free from obstructions to allow enough room to be able to reverse the tractor towards the CAT 2 linkage.

You may need to use your CAT 2 linkage balls if your tractor is fitted with a Walterscheid hook type linkage.

Reverse the tractor towards the Chopper Hoppers linkage points and connect lower hooks/spherical balls to the lower linkage pins on the hopper. Secure with 2 x 11mm linch pins supplied with the hopper (LPZ11 on parts list).

Fix the tractor top link arm to the hoppers top link pin and secure with the 11mm linch pin (LPZ11 on parts list)

**IMPORTANT: YOU MUST FASTEN THE LINKAGE SECURE USING THE 11mm LINCH PINS PRIOR TO USE.**

Attach the hydraulic hoses to the tractor spool, via the pipes and fittings supplied to fit your tractor, whilst it is TURNED OFF. The 2 x ½" hoses and fittings connected to the hoppers main auger, must be coupled to the tractor together. The 2 x 3/8" hoses are for the hydraulic scoop and must also be coupled together.

FEED and RETURN (1/2" hoses) drive the auger forwards to discharge and reverse the auger.

**YOU ARE NOW READY FOR OPERATION.**

## OPERATION

Once the Chopper Hopper is attached to the tractor correctly you can begin operation. The following step by step procedure will take you through the basic operation of the machine;

- 1. Lower scoop until the skids just make contact with the ground.**
- 2. Drive in reverse pushing scoop into the heap of feed.**
- 3. Raise scoop slowly to fill hopper. The feed will slide down the scoop and fill. Repeat as required until happy with level of feed.**
- 4. Lift hopper off the ground and raise scoop into upwards position.**
- 5. Drive to desired feeding point.**
- 6. Position the tractor so that on discharge, the product will fall as required. As standard the hopper will discharge to the left when looking backwards from the driver's seat of your tractor.**
- 7. When ready, start the flow of hydraulic oil to the hopper using the relevant spool in order to begin discharge and cutting.**
- 8. If you decide not to empty the whole hopper fully, stop the flow of hydraulic oil and the auger will stop, enabling you to move to another location.**
- 9. Repeat the process.**

The speed is pre-set before delivery and you do not need to worry about "feathering" the controls as the bucket will operate at a steady speed without jarring.



## **TO REMOVE A BLOCKAGE**

### **MANUAL STONE TRAP**

All feed should be as clean and free from foreign bodies such as stones for the health of your animals and the lifespan of your bucket.

However if you experience a blockage due to a stone;

1. Stop flow of oil ASAP.
2. Release pressure or back up auger ½ turn to free the stone, which should drop into the trap.
3. Turn off tractor before leaving cab.
4. Open stone trap.
5. Release foreign object.
6. Close stone trap.
7. Re-start tractor and continue operation.

## **WEEKLY MAINTENANCE**

Check auger drive and discharge end for wear. You are looking for play on the shaft in both the horizontal/vertical axis. There should be minimum movement.

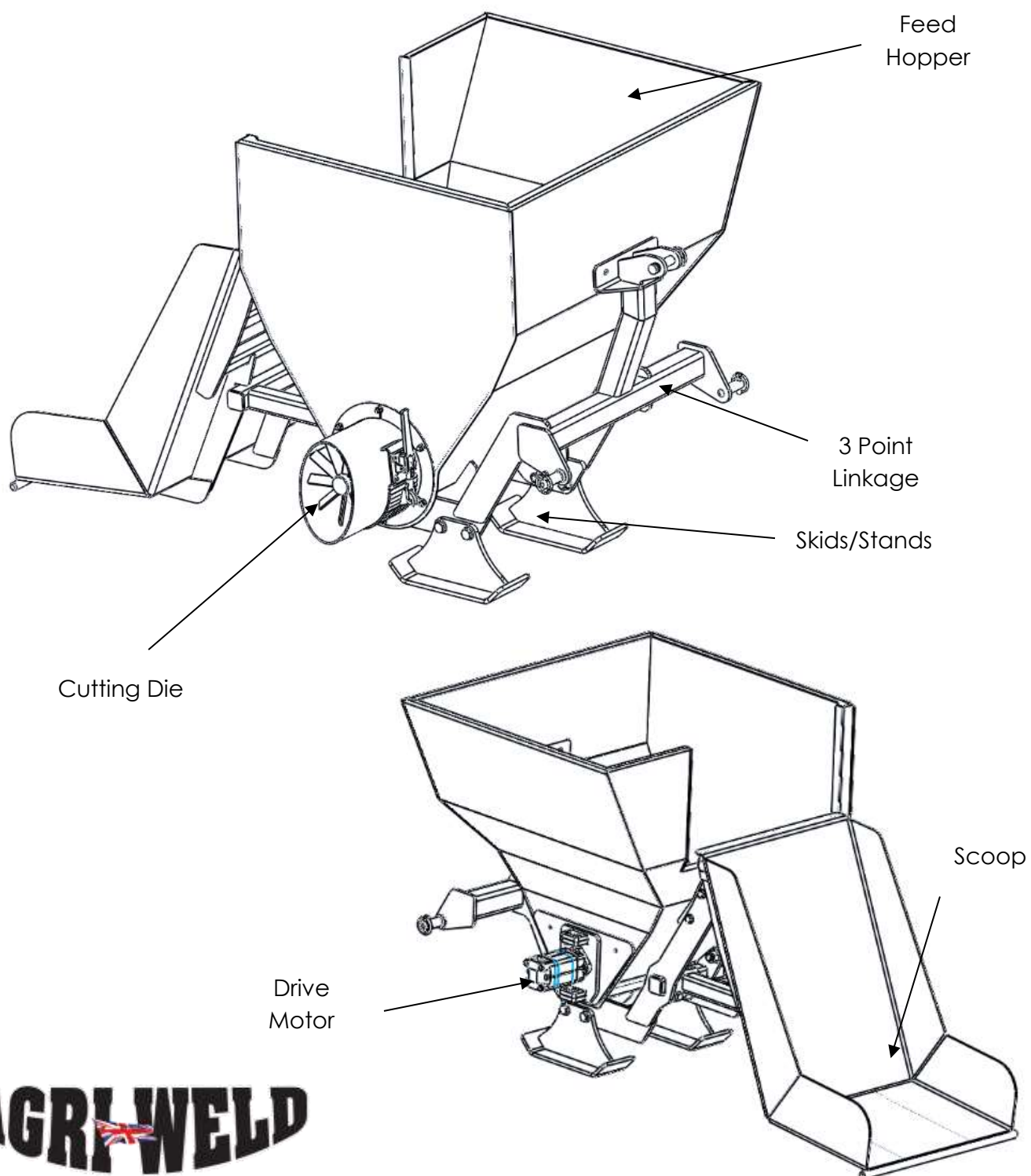
If you notice any significant movement you should contact Agriweld as soon as possible for advice.

1. Non drive end of the auger is fitted with a nylon bush which does not require greasing, but it would prolong the lifespan of the bush if given a squirt of freeing oil like WD40 or similar each week. Drive end is connected directly to the hydraulic motor via keyed boss which requires visual checks for movement. There is no greasing required at this end.
2. Straw sometimes evident in root feed can clog up the cutting die blades and cause excess pressure to be applied on the motor. It is requested that you keep the cutting dies/blades free of straw at all times to prevent this.
3. Grease the scoop ram at the 2 points marked and visible. You will need to raise the scoop in order to do this. Ensure that the tractor is turned off prior to greasing this ram for safety.

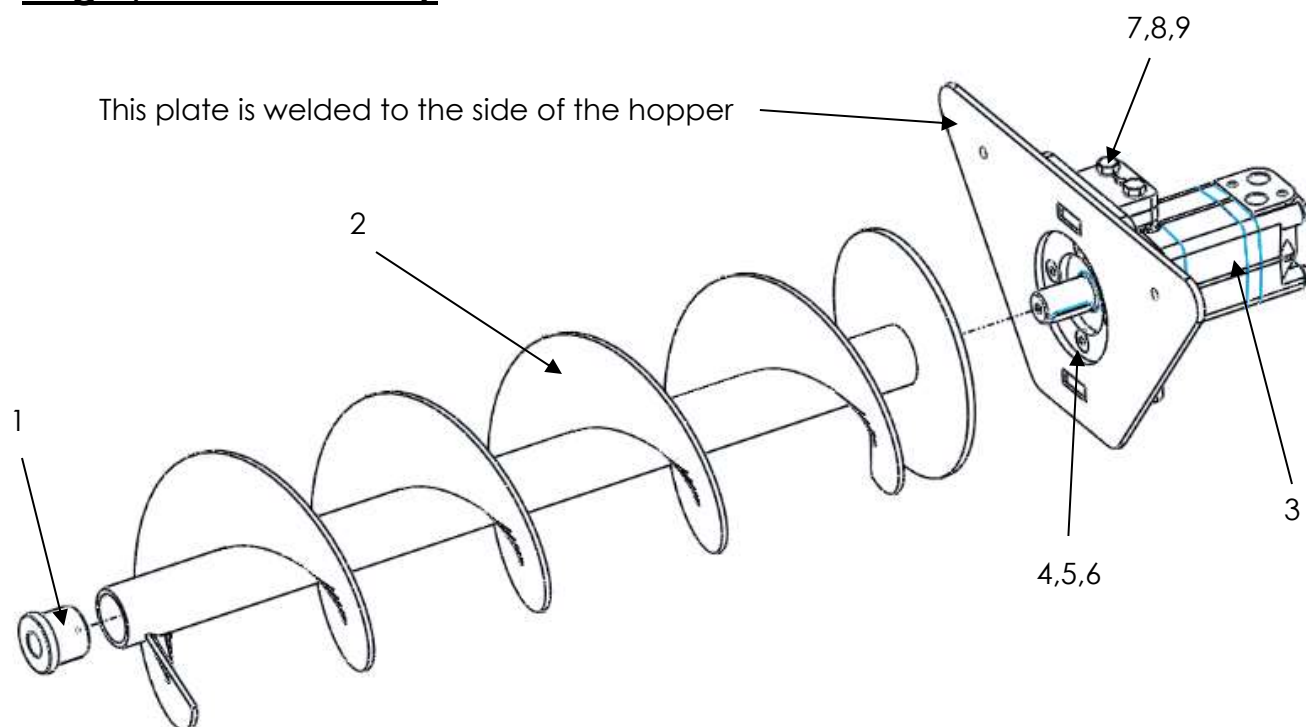
**SAFETY**

**PLEASE NOTE THAT THE CUTTING BLADES ARE SHARP!**

**PLEASE ENSURE THE TRACTOR IS SWITCHED OFF PRIOR TO PERFORMING ANY MAINTENANCE.**

**Full Assembly**

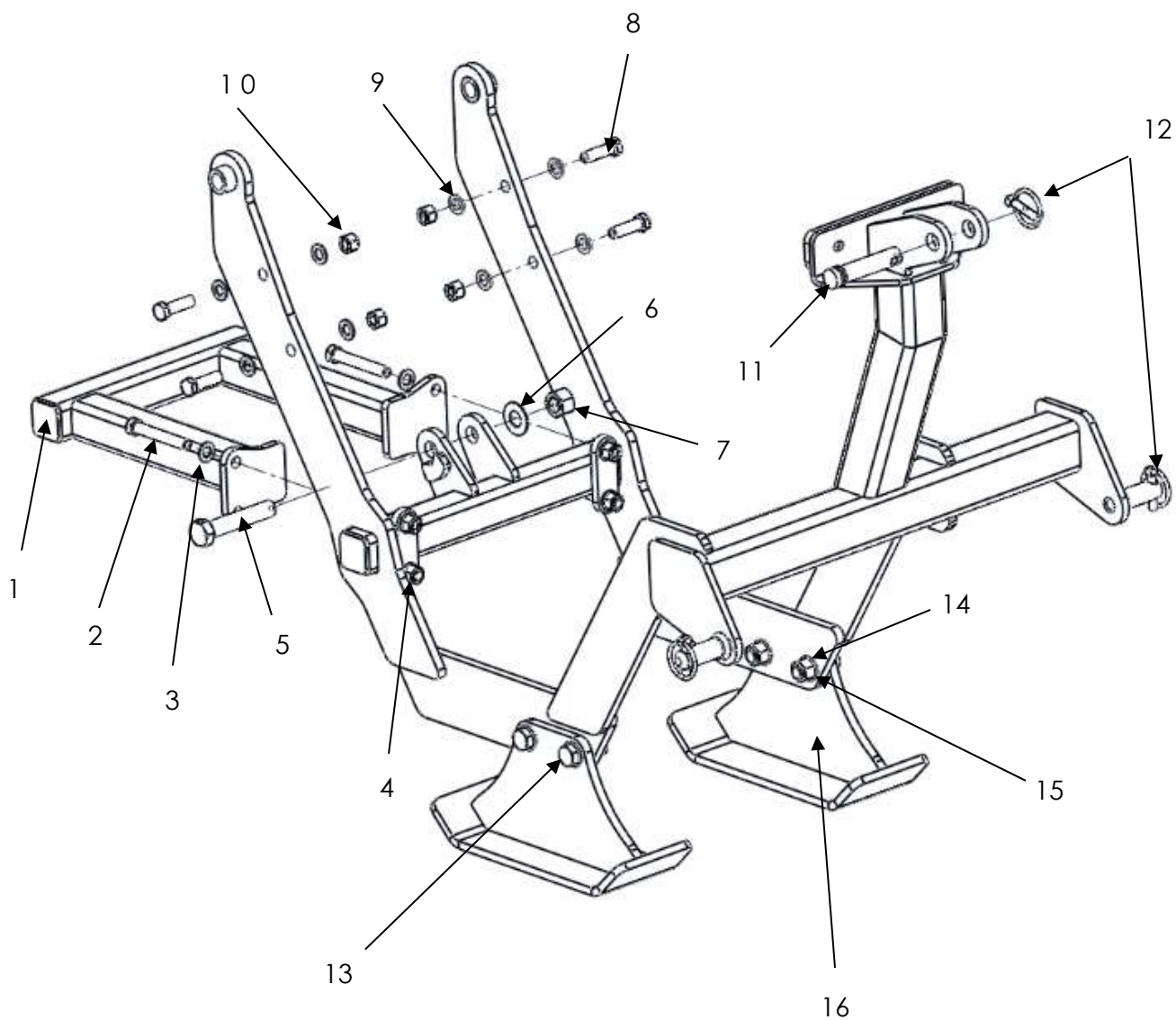
## Auger/ Drive Assembly



## Auger Assembly Parts List

Item Number	Part Number	Description	Quantity per Machine
1	AW_CR_NY_BUSH	Auger Spout End Nylon	1
2	AW_CR_Auger	Hopper Auger	1
3	AW_BMSY_400	Auger Motor	1
4	AW_12_50_CS	Motor Mount Bolts	4
5	AW_12W	Motor Mount Washers	4
6	AW_12N	Motor Mount Nuts	4
7	AW_12_30	Wobble Plate Bolts	4
8	AW_12W	Wobble Plate Washers	8
9	AW_12N	Wobble Plate Nuts	4

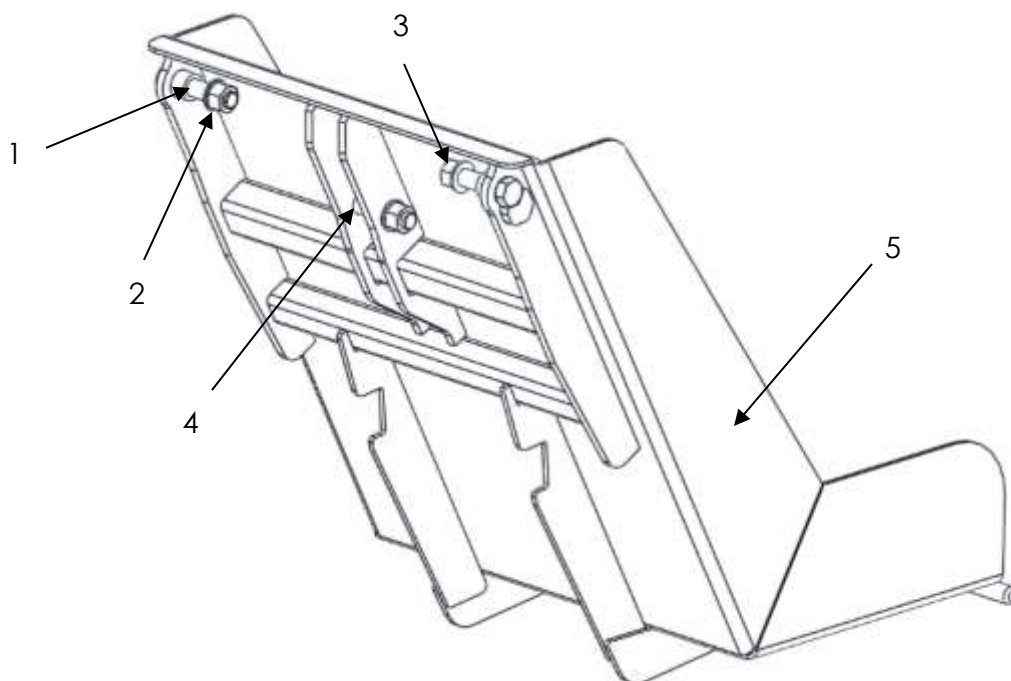
### Stand / Hopper Mounting Frame Assembly



### Stand / Hopper Mounting Frame Parts List

Item Number	Part Number	Description	Quantity per Machine
1	AW_SH_39	Scoop Stop Frame	1
2	AW_16_110	Scoop Stop Frame Bolt	4
3	AW_16W	Scoop Stop Frame Washer	8
4	AW_16N	Scoop Stop Frame Nut	4
5	AW_24_130	Ram Base Bolt	1
6	AW_24W	Ram Base Washer	1
7	AW_24N	Ram Base Nut	1
8	AW_16_55	Hopper Top Mount Bolt	4
9	AW_16W	Hopper Top Mount Washer	8
10	AW_16N	Hopper Top Mount Nut	4
11	AW_TLP	Top Link Pin	1
12	AW_LP11Z	Linch Pin (Top & Lower)	3
13	AW_20_80	Hopper Bottom Mount Bolt / Stand Bolt	4
14	AW_20W	Mount / Stand Washer	8
15	AW_20N	Mount / Stand Nut	4
16	AW_HCS	Hopper Stands	2

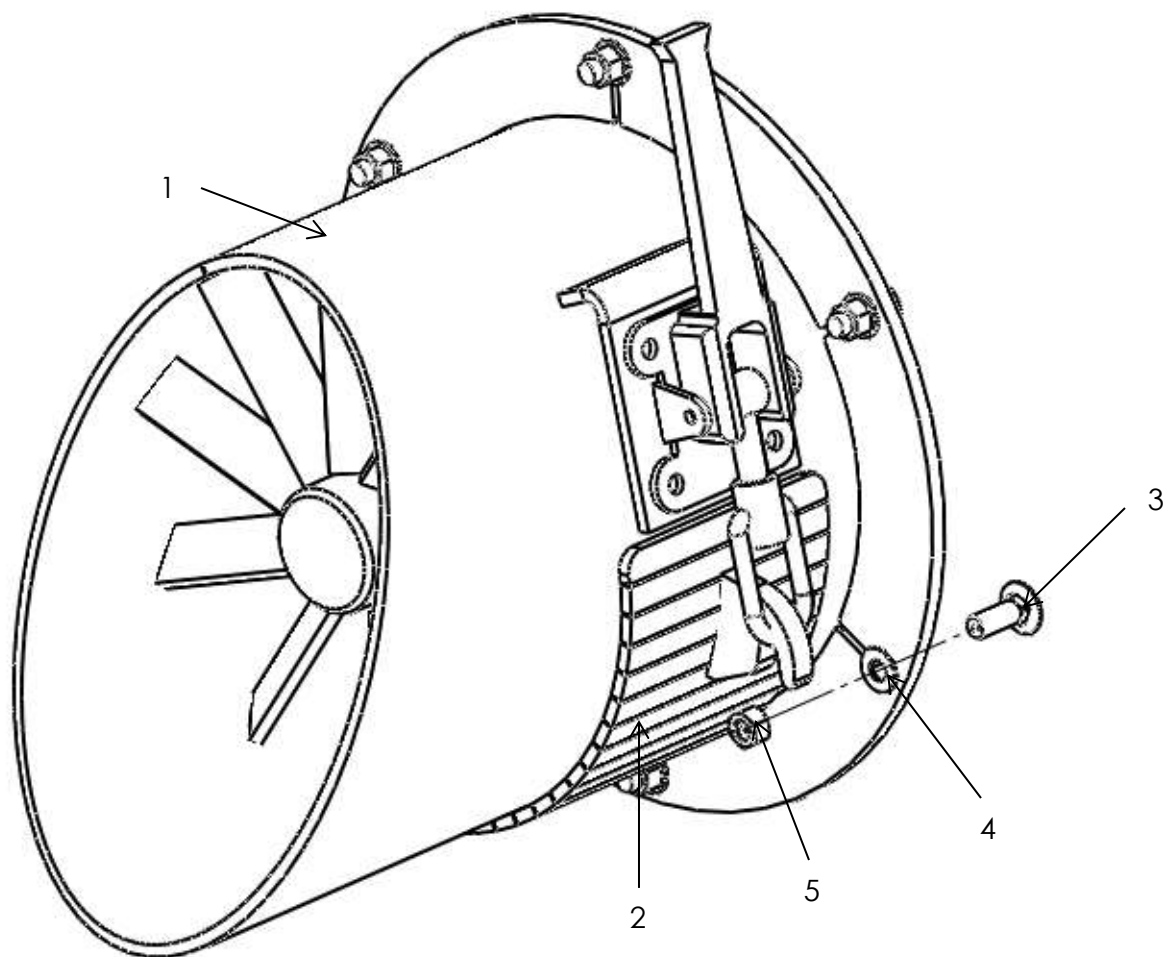
## Scoop Assembly



## Scoop Parts List

Item Number	Part Number	Description	Quantity per Machine
1	AW_24_110	Scoop Pivot Bolt	2
2	AW_24W	Scoop Pivot & Ram Washer	3
3	AW_24N	Scoop Pivot & Ram Nut	3
4	AW_24_110	Ram Rod Bolt	1
5	AW_Scoop	Feed Scoop	1





## Cutting Die/Stone Trap Assembly



## Stone Trap/Cutting Die Parts List

Item Number	Part Number	Description	Quantity per Machine
1	AW_CR_Spout	Cutting Die/Stone Trap	1
2	AW_STD	Stone Trap Door	1
3	AW_M10_30_CHS	Cutting Die Bolt	6
4	AW_M10W	Cutting Die Washer	6
5	AW_M10N	Cutting Die Nut	6

## Stickers

Sticker	Part number	Description	Quantity per Machine
	AW_MRB_WS	Warning Sticker	2
	AW_MRB_AS	Agriweld Sticker	1
	AW_MRB_GB	Great Britain Sticker	1
	AW_MRB_RC	Mini Root/Cereal Sticker	2
	AW_MRB_OM	Operator Manual Sticker	1
	AW_MRB_OF	Do Not Over Fill Bucket Sticker	1



## **Warranty**

Your Chopper Hopper is covered for a period of 12 months from the date of delivery (which is recorded on our files) against faulty components and/or bad workmanship. The machine should be checked over at time of delivery for transport damage. All damage claims must be reported to Agriweld upon delivery and noted on the Disclaimer. Any claims not reported at this time are invalid.

All our welders are coded to the relevant standard to manufacture your equipment, and all products are checked for quality prior to delivery/collection.

### **WARRANTY EXCLUSIONS:**

Hydraulic hoses, fittings, and wearing parts such as wearing edges and cutting die blades are not covered. Damage as a result of incorrect use is not covered.

We cannot be responsible for claims arising from ignorance, occurrences outside our control, such as accidents, malicious damage and non-maintenance. Damage resulting from failure to report a fault may not be covered by warranty.

### **WARRANTY CLAIMS FOR DAMAGE DURING TRANSIT**

Damage occurred during transit via an external haulier must be reported immediately upon unloading and signing for the item. The limit of our liability to undertake repairs to products damaged during transit is dependent on signing for any damaged product upon delivery as "DAMAGED".

**IT IS IMPORTANT TO READ THE MAINTENANCE SECTION  
OF THIS MANUAL.**

**IT IS VERY IMPORTANT TO USE YOUR HOPPER IN  
ACCORDANCE WITH ITS CAPABILITIES.**

**AGRIWELD**

**CE DECLARATION OF CONFORMITY**

The equipment which accompanies this declaration is in conformity with EU Directive(s):-

**2006/42/EC Machinery Directive**

Manufacturer Name: Agriweld Ltd  
Manufacturer Address: Main Street  
Garton-on-the-Wolds  
Driffield  
East Yorkshire  
YO25 3ET  
Product: Chopper Hopper  
Product Options: All  
Individual Serial Number:  
Product Description:

Date of Last Load Test Report: |

Supplementary Information:

Authorized Signatory on Behalf of  
Manufacturer:

*Dawn Foster* 

Name of Signatory:

Director

Position in Company:

Date of Issue: \_\_\_\_\_

**AGRI WELD**