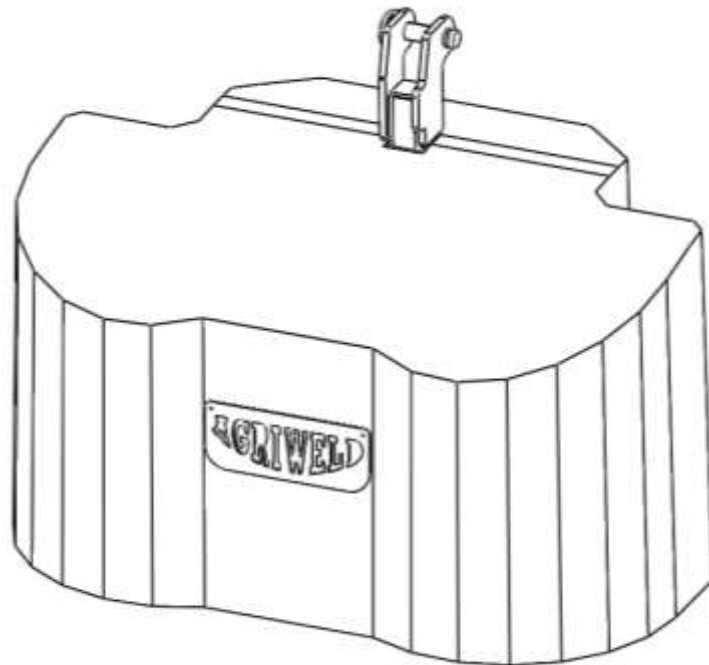


AGRI WELD

Operator Manual

Cast Concrete Weight Block

1000kg



AGRI WELD

Main Street
Garton-on-the-Wolds
Driffield, YO25 3ET
Tel: 01377 259140
Fax: 01377 259141
Email: sales@agriweld.co.uk
www.agriweld.co.uk

CONTENTS

Page 3	Summary, General Safety
Page 4	Qualifications & Training & Further Safety
Page 5	Special Safety Instructions & Important Maintenance
Page 6	Full Assembly & Parts List
Page 7	Warranty
Page 8	CE Declaration of Conformity

Summary

The Agriweld Concrete Weight is designed to fit any tractor by use of a front linkage. Designed and manufactured by Agriweld in Great Britain, it has several main uses;

As a ballast weight the Agriweld Concrete Weight adds 1000kg to the tractor front end and assists in utilising the full power of the tractor whilst in the field and balances the tractor whilst moving heavy loads on the road.

The compact design of the Agriweld Concrete Weight is close coupled and provides a cost effective way to add ballast simply.

WARNING: Due to the compact style the Concrete Weight may not be fully visible to the driver at all times. Therefore it is the driver's responsibility to remember the weight is attached to the tractor when approaching junctions and corners etc.

General Safety

This manual must be provided to all persons concerned who will be involved with the setting up, operation, maintenance and use of the tractor and Agriweld Concrete Weight. It must be available at all times.

If important safety instructions are not complied with, it can lead to the risk of injury to you and others as well as damage to property and the environment.

**NON-COMPLIANCE WITH SAFETY INSTRUCTIONS CAN LEAD TO
WARRANTY CLAIMS BECOMING INVALID**

Qualifications and Training

- Only personnel with the appropriate licence is authorised to use this Weight.
- Statutory minimum age limits must be observed and reliable personnel only should perform maintenance/work on this Weight.
- Persons undergoing training or instruction or taking part in a general training course should only use this Weight under direct supervision of an experienced and trained person.
- The use of spare parts, accessories and ancillary equipment not supplied or approved by Agriweld could have detrimental effects to the construction or functions of the Agriweld Weight.
- Agriweld shall not be responsible for any damage caused by the use of spare parts or accessories and ancillary equipment not supplied or approved by Agriweld.
- The operator must be aware of their responsibilities with regard to observing traffic regulations. The operator must have the authority to refuse instructions issued by third parties which contravene safety.
- Any conversions or modifications to the machine may only be carried out after prior consultation and written confirmation from Agriweld.

Further Safety

- Ensure that you are familiar with the equipment, controls and functions before starting work.
- Check around the machine for any noticeable damage or missing parts before starting work.
- It is advisable that the operator wears close fitting clothing to avoid the risk of snagging and trapping.
- Ensure that you watch out for wandering individuals (particularly children!).
- Always match your speed to the conditions and legal speed limits. Observe and respect traffic regulations when using public roads.
- Remember to take into account the size of any attachments to the tractor you may have and be aware of the sideways forces acting on the machine when turning and negotiating corners. Always ensure adequate all round visibility.
- The driving characteristics of the forklift/loader/tractor are influenced and altered by the attachment of mounted machines and it is important to ensure adequate steering and braking ability as required.

Special Safety Instructions

- Take extra care when hitching up or un-hitching the weight to/from the tractor. Be aware of what is under the weight (such as your feet) before dropping it off.
- Ensure that the tractor's hydraulic system is in full working order.
- Never allow any person to stand between the tractor and the weight during connection or at any time unless the tractor is secured against rolling away by use of a parking brake and/or wheel chocks.
- It is forbidden to allow any persons to ride or sit on the weight at any time. Observers should maintain a safe distance when machine is in use.
- When performing any adjustments to the machine the tractor engine must be switched off to prevent the hydraulics from operating.
- Ensure that any items stored in the toolboxes are secured by closing the lid.

Important Maintenance

It is important to check all pins for wear and ensure that none show significant signs of wear or damage.

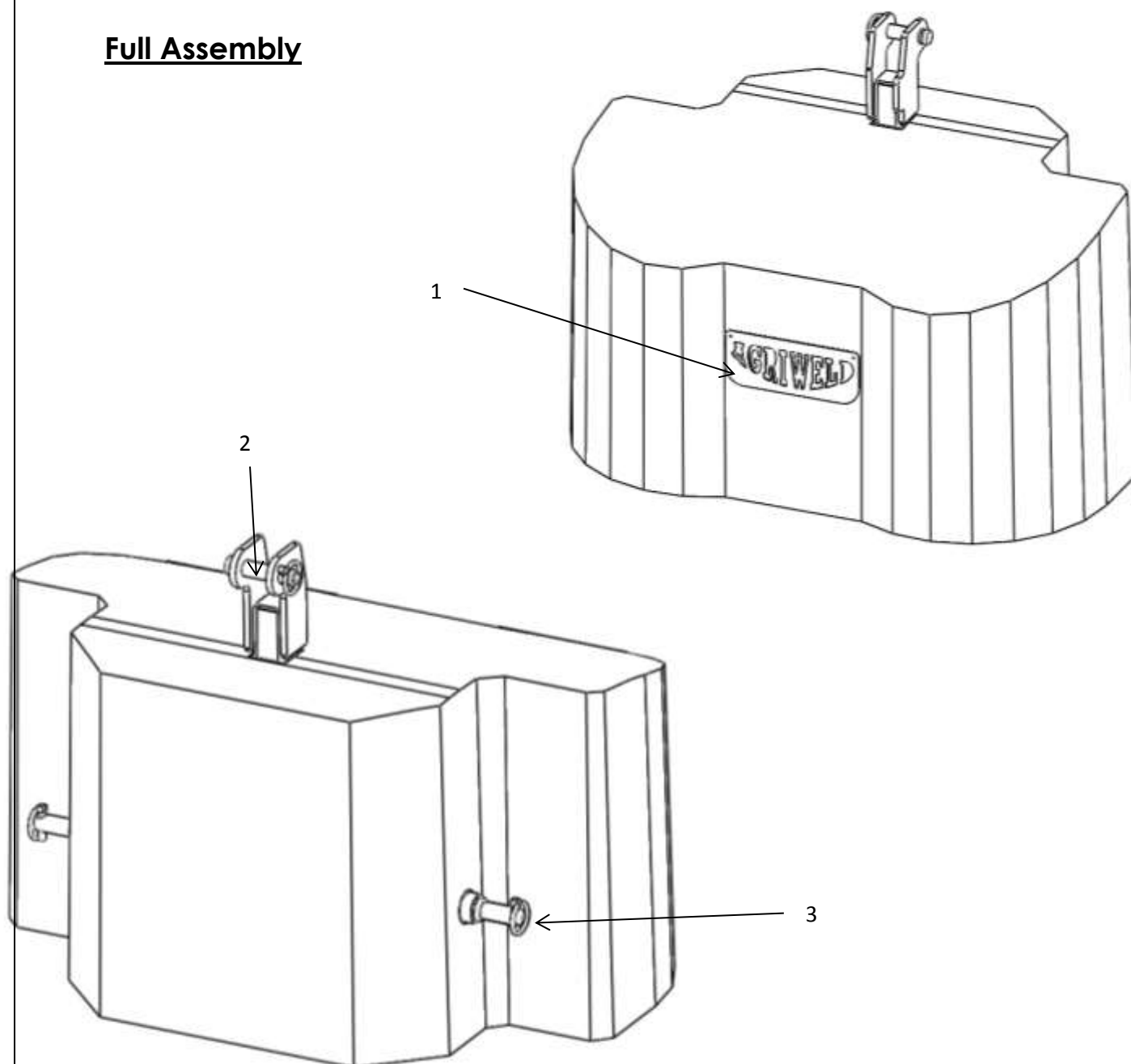
Keep the weight clean at all times.

PLEASE NOTE: In the event of a collision the Concrete Weight may become damaged, this could include the concrete chipping or cracking off.



AGRI WELD

Full Assembly



Item Number	Part Number	Description	Quantity per machine
1	AW_Con_Logo	Agriweld Logo	1
2	AW_25x100_TLP	Top Link Pin	1
3	AW_LP11Z	11mm Linch Pin	3

AGRIWELD

Warranty

Your Agriweld Concrete Weight is covered for a period of 12 months from the date of dispatch (which is recorded on our files) against faulty components and/or bad workmanship.

Our welders are coded to BS EN 287-1:2011 and our welding procedures are approved in accordance with: BS EN ISO 9606-1 to manufacture your equipment and all products are checked for quality prior to delivery/collection.

We cannot be responsible for claims arising from ignorance, occurrences outside our control, such as accidents, collisions and malicious damage.

Damage occurred during transit must be reported on signing for the item from the haulier to enable us to make a claim for damages caused during transport.

WARRANTY CLAIMS FOR DAMAGE DURING TRANSIT

Damage occurred during transit via an external haulier must be reported immediately upon unloading and signing for the item. The limit of our liability to undertake repairs to products damaged during transit is dependent on signing for any damaged product upon delivery as "DAMAGED".

CE DECLARATION OF CONFORMITY

The equipment which accompanies this declaration is in conformity with EU Directive(s):-

2006/42/EC Machinery Directive

Manufacturer Name:	Agriweld Ltd
Manufacturer Address:	Main Street Garton-on-the-Wolds Driffield East Yorkshire YO25 3ET
Product:	Concrete Weight Block 1000kg
Product Options:	All
Individual Serial Number:	
Product Description:	Agriweld Concrete Weight adds 1000kg to the tractor front end and assists in utilising the full power of the tractor whilst in the field and balances the tractor whilst moving heavy loads on the road.
Date of Last Load Test Report:	
Supplementary Information:	
Authorised Signatory on Behalf of Manufacturer:	
Name of Signatory:	Dawn Foster
Position in Company:	Director
Date of Issue:	