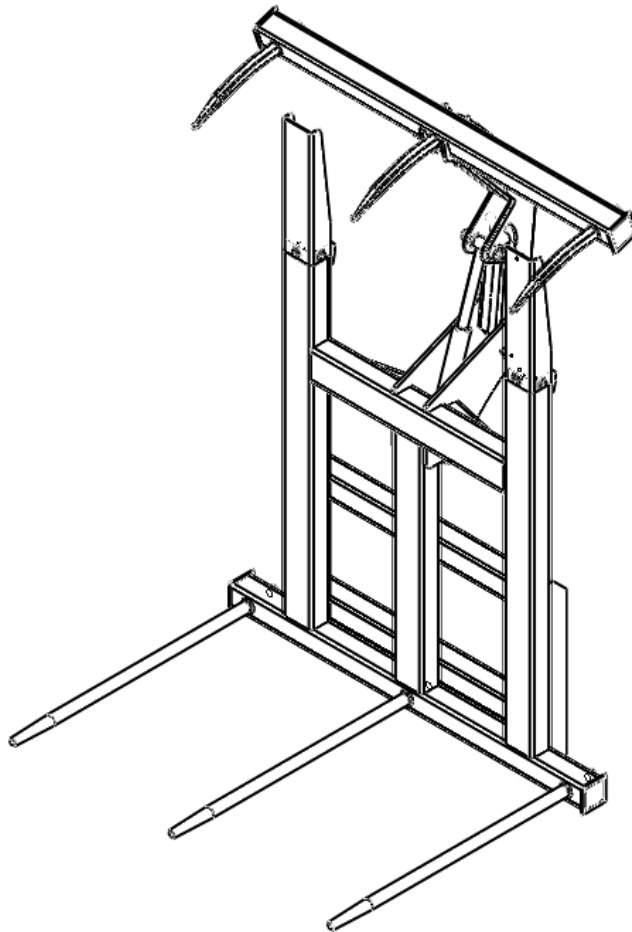


# AGRI WELD

## Operator Manual

### BALE GRAB



[www.agriweld.co.uk](http://www.agriweld.co.uk)

The Workshops  
Main Street  
Garton-on-the-Wolds  
Driffield, YO25 3ET  
Tel: 01377 259140  
Fax: 01377 259141  
Email: [sales@agriweld.co.uk](mailto:sales@agriweld.co.uk)

## Contents

<b>Page 3</b>	User Information & Getting Started
<b>Page 4</b>	Dangers, operating errors and exemption from liability
<b>Page 5-6</b>	General safety
<b>Page 7</b>	Full Assembly
<b>Page 8</b>	Main Frame
<b>Page 9</b>	Parts List
<b>Page 10-11</b>	Top Arm Grab & Pivot Socket
<b>Page 12</b>	Forklift Brackets
<b>Page 13</b>	Stickers
<b>Page 14</b>	Warranty
<b>Page 15</b>	CE Declaration of Conformity

## User information

Before using your Bale Grab for the first time it is IMPORTANT that all operators make themselves familiar with the unit and must read this OPERATOR MANUAL and SAFETY INSTRUCTIONS attentively.

## Getting started

The Bale Grab will be fitted and delivered with the correct Bolt-On brackets/carriage blocks to suit the fork-lift/loader it is intended to fit. If for any reason the fittings are lost or damaged, or if the bracketing is removed for any reason, please refer back to this information in order to refit the brackets and/or replace any lost fittings with the correct specification.

The Bale Grab will also be fitted with the correctly swaged hydraulic pipes and fittings applicable to your forklift/loader and as per your request. If these pipes are damaged they must be replaced immediately with NEW pipes and fittings. **DO NOT ATTEMPT TO REPAIR HYDRAULIC PIPES OR ALLOW ANY ONE ELSE TO REPAIR THEM.**

Any replacements can be ordered from us and sent to you overnight if required.

The Bale Grab is a low maintenance unit, and requires little mechanical attention as such, other than **greasing the main pivots, and hydraulic ram/rod ends at the greasing points located and visible at these areas and by following a general basic care routine.**

Your **Bale Grab weighs ?** including bracketing and has a **max loading of ?**

**NOTE: During use, please be aware of increased weight due to shock loading. This includes performing manoeuvres such as driving down a rough field, at some speed, with a full box. The resulting bouncing effect is known as shock loading and the weights can be significantly magnified to the point of overload.**

The Bale Grab is not to be used for any other purpose than for which it is intended - **?. It is not to be used as a fork lift.** Damage to the unit resulting from overload will not be covered under a warranty or liability claim.

The specifications, descriptions and illustrations in this manual are accurate at the time of publication but may be subject to change.



## Safety

All operators of the Bale Grab and forklift/loader must hold the appropriate forklift licence or certificate of competence to do so.

All operators must be familiar with the Bale Grab Operator Manual and forklift/loader operations prior to use. If safety instructions are not observed and complied with it can lead to the risk of injury to the operator and others as well as damage to the machine, property and the environment. Non-compliance to the safety instructions can lead to claims for damages/injury becoming invalid.

## Dangers, operating errors and exemption from liability

1. No responsibility will be accepted for possible dangers arising from operations complying with the designated use.
2. Damage to bales particularly vulnerable to damage during processing cannot be entirely ruled out. Weather conditions, the quality of the produce and many other circumstances beyond our or the operator's control have an influence on the vulnerability to damage of the produce being processed. Many circumstances can have an influence on the vulnerability to damage of produce and these examples are not exhaustive.
3. Agriweld shall not be liable for any damage to agricultural produce and other items, which occurs as a result of normal operating, adjustments errors or other incorrect usage.
4. Agriweld accepts no liability for any damage caused as a result of operations not complying with the designated use of the machine. This also applies to damage to agricultural produce caused by certain external influences, which cannot be avoided with the current state of the art.

**NOTE: We are advised that this machine will not be transported on public roads. Please be aware that the spikes will require suitable covering, if road transport is intended, to protect and highlight other road users.**

## Qualification & training

Only personnel with the appropriate forklift/loader licence are authorised to use this machine.

Statutory minimum age limits must be observed and reliable personnel only should perform maintenance/work on this machine.

Persons undergoing training or instruction or taking part in a general training course should only use this machine under direct supervision of an experienced and trained person.



Agriweld shall not be responsible for any damage/injury caused by the use of parts/repairs not supplied and/or approved by Agriweld.

### **General safety**

Any warning signs/instructions on the machine provide important information and must be observed.

Ensure that you are familiar with the machine before starting work.

Check round the machine for any noticeable damage, or missing parts before starting work.

It is advisable that the operator does not wear jewellery and loose-fitting clothing to avoid the risk of snagging and trapping.

Ensure that you are working in an area clear of obstructions and watch out for wandering individuals (particularly children!).

### **Important Safety Instructions**

Take extra care when attaching the Bale Rotator to the forklift/loader to ensure that it is attached correctly via the bracketing and hydraulic fittings. (See page 7 Connection to the forklift/loader).

Ensure that the forklift/loader and its hydraulic system is in full working order.

Never allow any person to stand between the forklift/loader and the Bale Rotator during connection or at any time.

Never exceed the permissible weight of the bales for handling.

Take into account the protrusion of the Bale Rotator and tines when manoeuvring around and take particular care when approaching junctions and negotiating corners.

The driving characteristics of the forklift/loader are influenced and altered by the attachment of mounted machines and it is important to ensure adequate steering and braking ability as required.

Never allow any person to sit or ride on the Bale Rotator at any time

Never perform any adjustments to the Bale Rotator whilst mounted, unless the forklift/loader is stopped, turned off and the Bale Rotator is resting on the ground where possible.

Ensure that the forklift/loader cannot roll away by use of a park brake or wheel chocks.

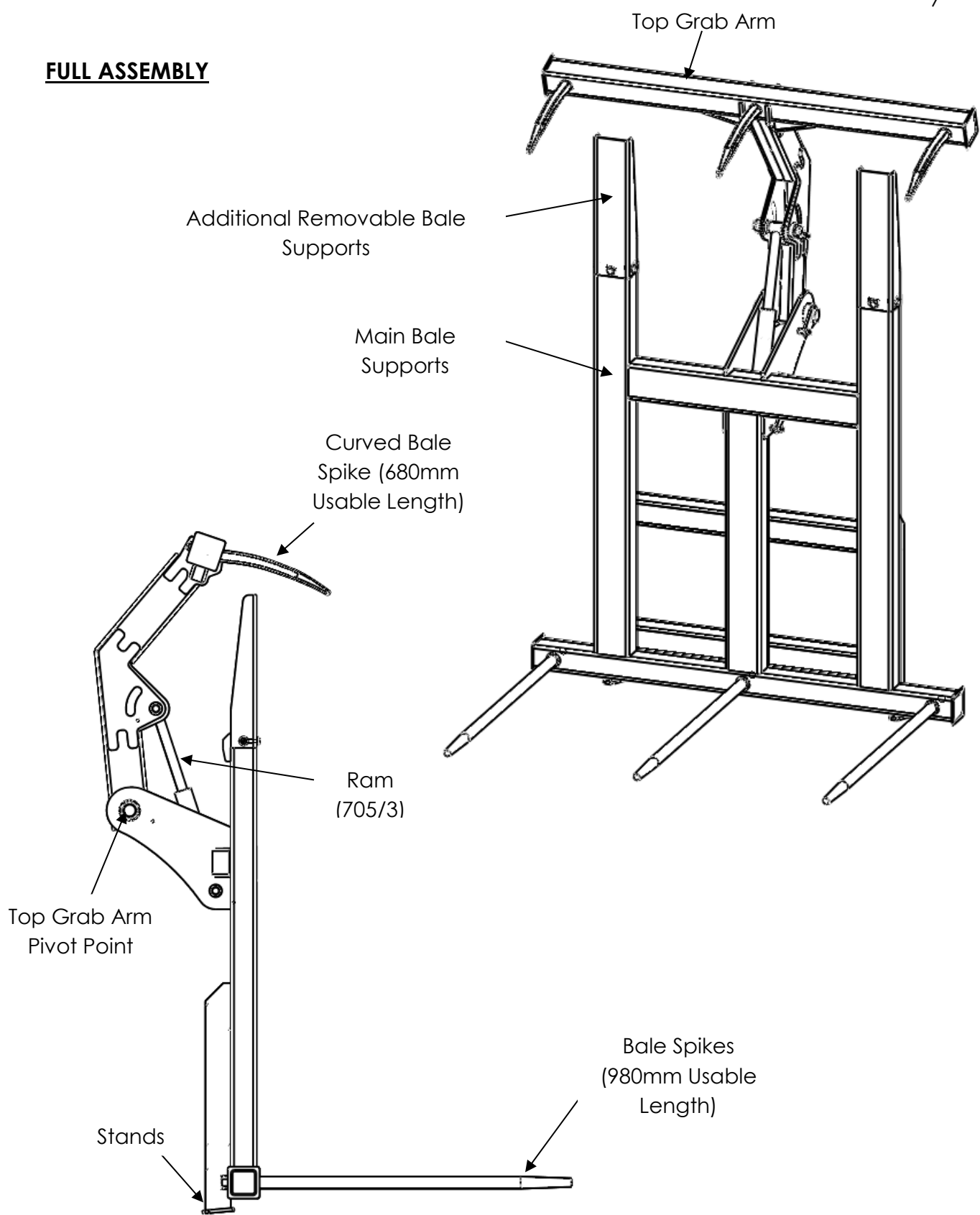


Never allow any person to stand or work beneath a suspended load.

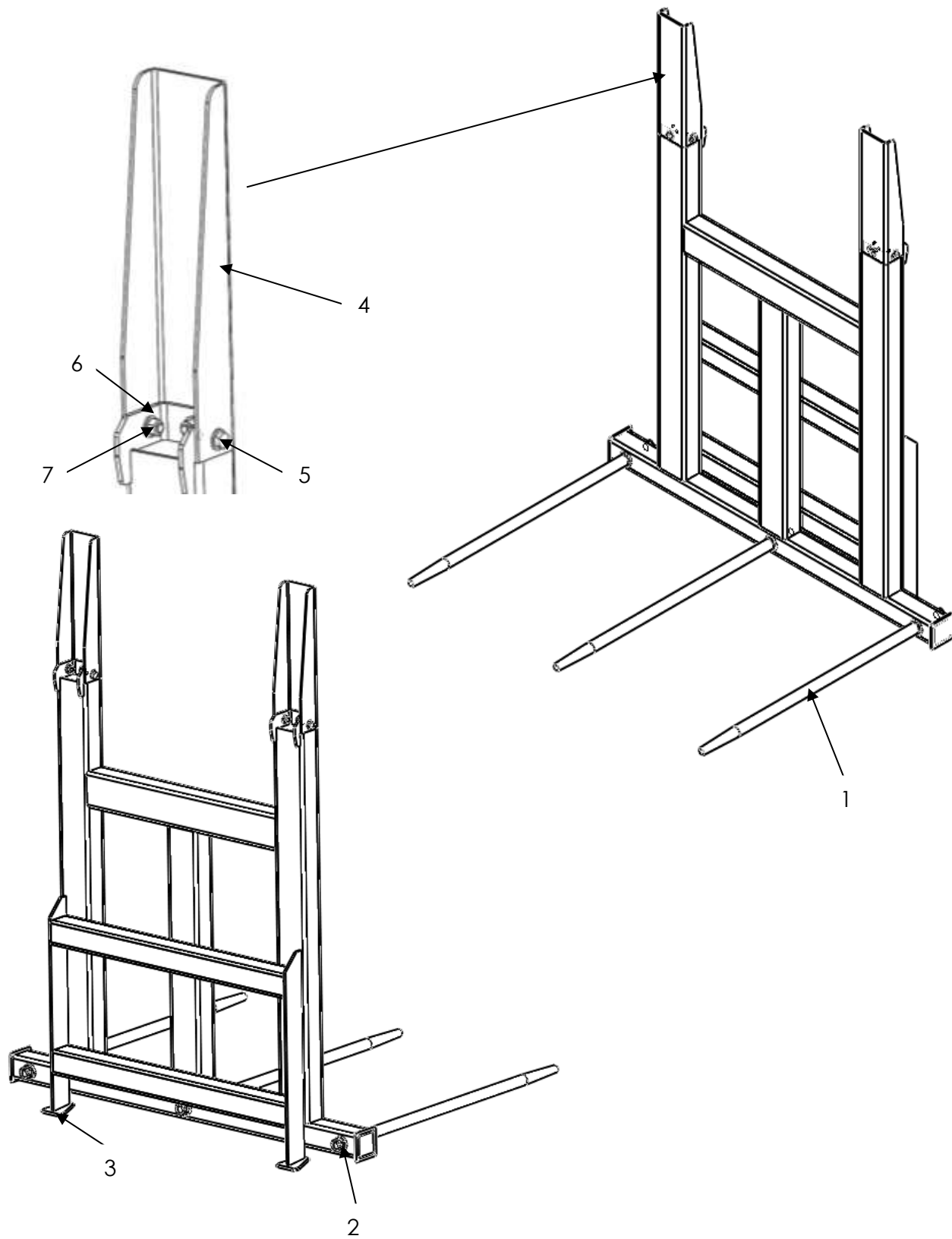
It is forbidden to allow persons to ride on the Bale Rotator or the forklift/loader it is attached to, at any time.

Keep clear of the unit whilst under operation to prevent injury.

**FULL ASSEMBLY**



**MAIN FRAME**

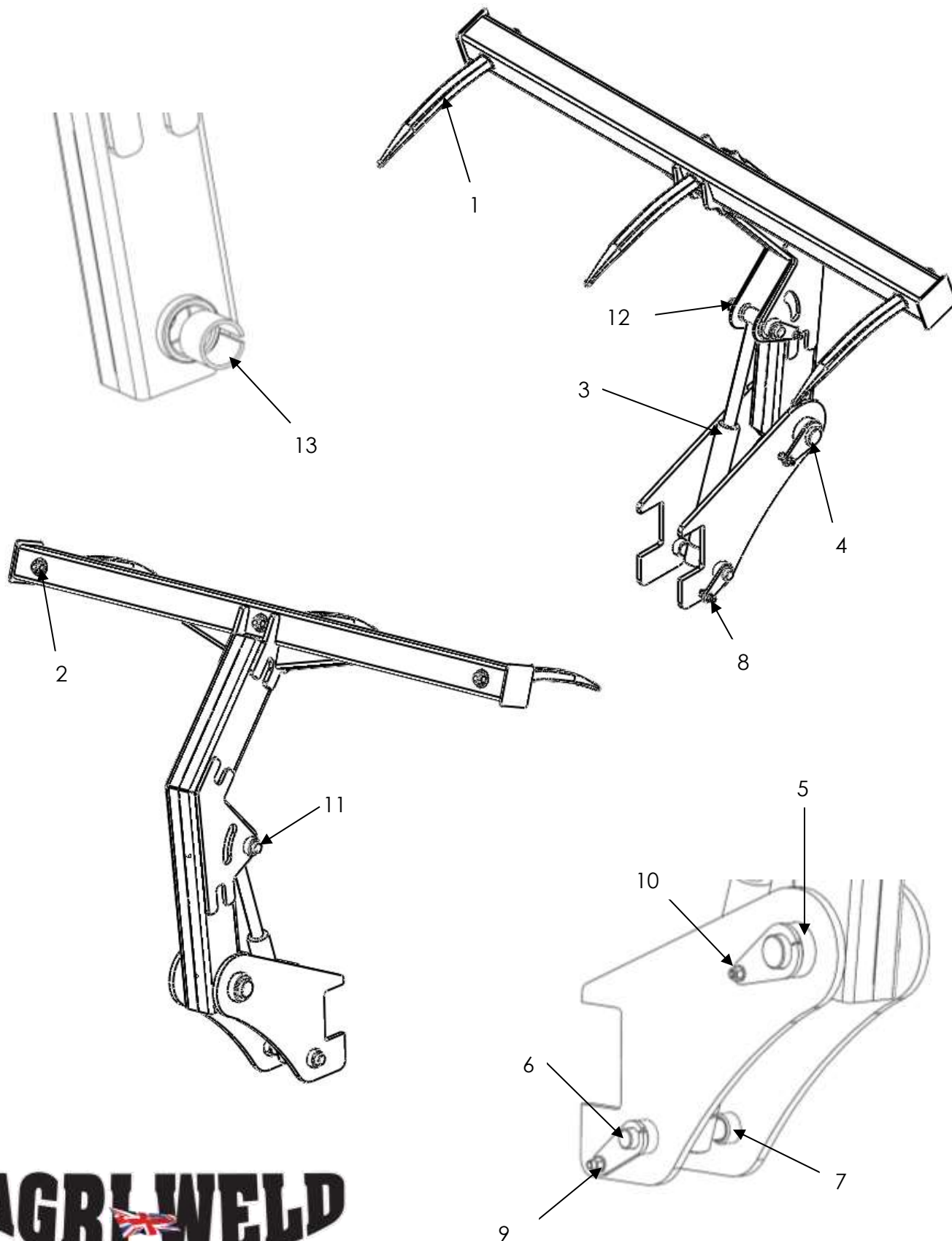




**PARTS LIST**

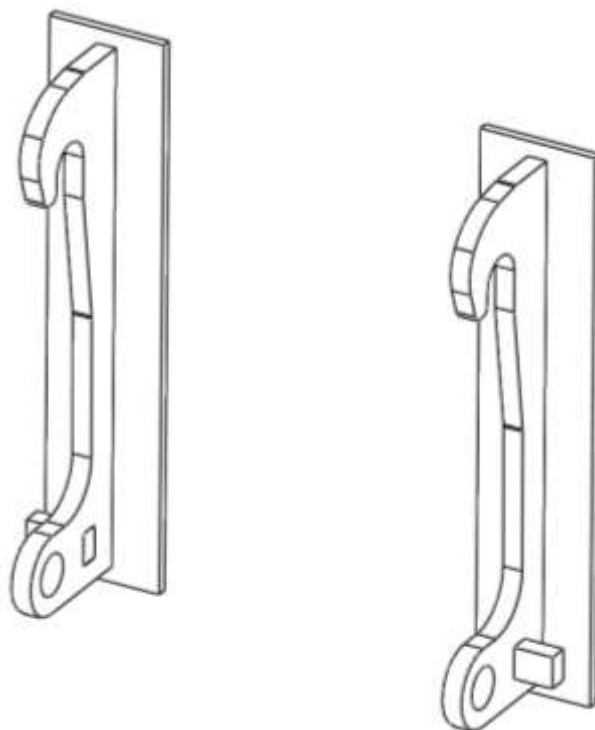
<b>Item Number</b>	<b>Part Number</b>	<b>Description</b>	<b>Quantity per Machine</b>
1	4041	Straight Bale Tine	3
2	4045	M30 Tine Nut	3
3	BG_1208	Stand	2
4	BG_0601	Removable Bale Support	2
5	M16x40	Bolt	6
6	M16 Flat Washer	-	12
7	M16 Nylock	Nut	6

**TOP GRAB ARM AND PIVOT SOCKET**






Item Number	Part Number	Description	Quantity per Machine
1	4026	Curved Bale Tine	3
2	4012	M20 Tine Nut	3
3	CY_705_3_(40_80)	Grab Arm Ram	1
4	BG_50P_269	50mm Pin (Main Hinge)	1
5	BG_50B_50	50mm Bush (Main Hinge)	2
6	BG_30P_261	30mm Pin (Ram Base Pin)	1
7	BG_30B_61.5	30mm Bush (Ram Base Bush)	2
8	M12x45	Bolt to hold pins in place	3
9	M12 Flat Washer	-	3
10	M12 Nylock	Nut	3
11	BG_30P_205	30mm Pin (Ram Rod Pin)	1
12	BG_30B_51	30mm Bush (Ram Rod Bush)	2
13	60/50/50	Spring Tension Bush	2

## FORKLIFT BRACKETS



Weld on Brackets for a Cat for example.

**STICKERS**

Sticker	Part number	Description	Quantity per Machine
	AW_QS_ALS (460mm x 90mm)	Agriweld Sticker	2
	AW_QS_AS (185 mm x 85mm)	Agriweld Sticker	2
	AW_QS_GB (85mm x 50mm)	Great Britain Sticker	2



## **WARRANTY**

Your Agriweld Bale Grab is covered for a period of 12 months from the date of despatch (which is recorded on our files) against faulty components and/or bad workmanship.

Our welders are coded to BS EN 287-1 and our welding procedures are approved in accordance with: BS EN ISO 15614-1 to manufacture your equipment and all products are checked for quality prior to despatch/collection.

We cannot be responsible for claims arising from ignorance, occurrences outside our control, such as accidents, and malicious damage.

Damage occurred during transit must be reported on signing for the item from the haulier to enable us to make a claim for damages caused during transport.

### **WARRANTY CLAIMS FOR DAMAGE DURING TRANSIT**

Damage occurred during transit via an external haulier must be reported immediately upon unloading and signing for the item. The limit of our liability to undertake repairs to products damaged during transit is dependent on signing for any damaged product upon delivery as "DAMAGED".



## CE DECLARATION OF CONFORMITY

The equipment which accompanies this declaration is in conformity with EU Directive(s):-

**2006/42/EC Machinery Directive**

Manufacturer Name:	Agriweld Ltd
Manufacturer Address:	Main Street Garton-on-the-Wolds Driffield East Yorkshire YO25 3ET
Product:	Bale Grab
Product Options:	All
Individual Serial Number:	
Product Description:	AGRIWELD Bale Grab
Date of Last Load Test Report:	N/A
Supplementary Information:	
Authorised Signatory on Behalf of Manufacturer:	
Name of Signatory:	Dawn Foster
Position in Company:	Director
Date of Issue:	