

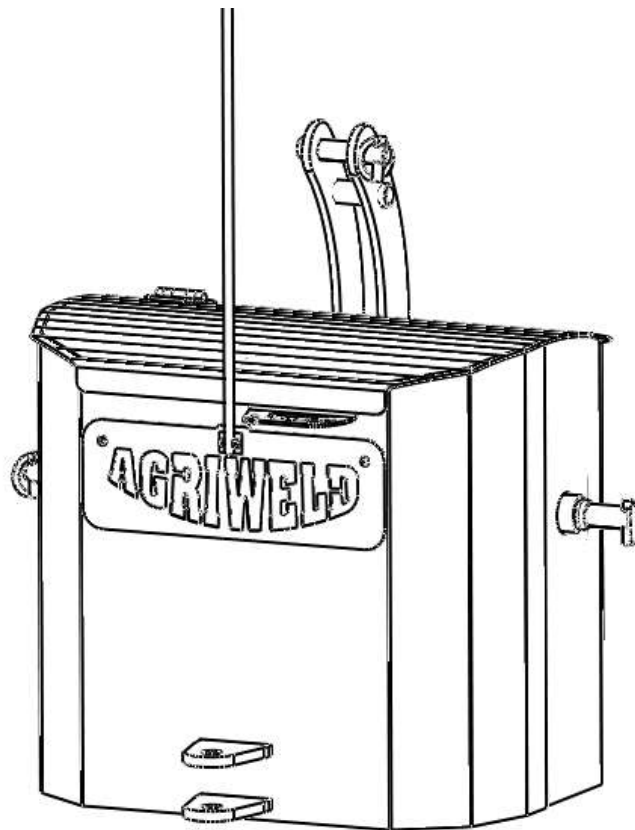
# AGRIWELD

## Operator Manual

SLIM Close Coupled

Front Linkage Weight

Block/Transport box



Main Street  
Garton-on-the-Wolds  
Driffield, YO25 3ET  
Tel: 01377 259140  
Email: [sales@agriweld.co.uk](mailto:sales@agriweld.co.uk)  
[www.agriweld.co.uk](http://www.agriweld.co.uk)

AGRIWELD

## CONTENTS

<b>Page 3</b>	Summary
<b>Page 4</b>	General Safety & Qualifications and Training
<b>Page 5</b>	Further Safety & Special Safety Instructions
<b>Page 6</b>	Important Maintenance
<b>Page 7</b>	Assembly
<b>Page 8</b>	Parts List
<b>Page 9</b>	Dimensions
<b>Page 10</b>	Connecting your LEDs
<b>Page 11</b>	Connecting your LEDs continued...
<b>Page 12</b>	Warranty
<b>Page 13</b>	Stickers
<b>Page 14</b>	CE Declaration of Conformity

## **Summary**

The Agriweld Compact Close Coupled Front Linkage Weight/Transport box is a multipurpose implement and is designed to fit any tractor by use of a front linkage. Designed and manufactured by Agriweld in Great Britain, it has several main uses;

As a ballast weight can have an additional 500kgs of concrete added to assist in utilising the full power of the tractor whilst in the field and balances the tractor whilst moving heavy loads on the road.

The compact profile of the Agriweld Weight/Transport box is neater for the smaller tractor and is fitted as standard with a central, vertical marker, which acts as a constant reminder to the driver that the weight is on the front. This marker can also be used as a centre marker in the field.

As a toolbox it can be used to store tools, wearing parts etc and aids the safety of the driver in providing a place to store clutter from the cab floor.

## **General Safety**

This manual must be provided to all persons concerned who will be involved with the setting up, operation, maintenance and use of the tractor and Agriweld Weight/Transport box. It must be available at all times.

If important safety instructions are not complied with, it can lead to the risk of injury to you and others as well as damage to property and the environment.

### **NON-COMPLIANCE WITH SAFETY INSTRUCTIONS CAN LEAD TO WARRANTY CLAIMS BECOMING INVALID**

#### **Qualifications and Training**

- Only personnel with the appropriate licence is authorised to use this machine.
- Statutory minimum age limits must be observed and reliable personnel only should perform maintenance/work on this machine.
- Persons undergoing training or instruction or taking part in a general training course should only use this machine under direct supervision of an experienced and trained person.
- The use of spare parts, accessories and ancillary equipment not supplied or approved by Agriweld could have detrimental effects to the construction or functions of the Agriweld Weight/Transport box.
- Agriweld shall not be responsible for any damage caused by the use of spare parts or accessories and ancillary equipment not supplied or approved by Agriweld.
- The operator must be aware of their responsibilities with regard to observing traffic regulations. The operator must have the authority to refuse instructions issued by third parties which contravene safety.
- Any conversions or modifications to the machine may only be carried out after prior consultation and written confirmation from Agriweld.

## **Further Safety**

- Any warning signs/instructions on the machine provide important information and must be observed.
- Ensure that you are familiar with the equipment, controls and functions before starting work.
- Check around the machine for any noticeable damage or missing parts before starting work.
- It is advisable that the operator wears close fitting clothing to avoid the risk of snagging and trapping.
- Ensure that you watch out for wandering individuals (particularly children!).
- Always match your speed to the conditions and legal speed limits. Observe and respect traffic regulations when using public roads.
- Remember to take into account the size of any attachments to the tractor you may have and be aware of the sideways forces acting on the machine when turning and negotiating corners. Always ensure adequate all round visibility.

## **Special Safety Instructions**

- Take extra care when hitching up or un-hitching the weight/toolbox to/from the tractor. Use the pallet forks of a forklift under the base of the weight/toolbox to hook the weight/transport box to the front linkage and be sure to use the top and lower link pins provided to secure. The driver of the forklift is required to hold the appropriate licence and be competent to use it.
- Never allow any person to stand between the tractor and the weight/toolbox during connection or at any time unless the tractor is secured against rolling away by use of a parking brake and/or wheel chocks.
- It is forbidden to allow any persons to ride or sit on the weight/toolbox at any time. Observers should maintain a safe distance when machine is in use.
- When performing any adjustments to the machine the tractor engine must be switched off to prevent the hydraulics from operating.
- Ensure that any items stored in the toolbox are secured by closing the lid.
- The driving characteristics of the forklift/loader/tractor are influenced and altered by the attachment of mounted machines and it is important to ensure adequate steering and braking ability as required.
- The towing clevis is intended for light use only. E.g.: for pulling a furrow press out of a corner using a chain. It is more of a chaining point not an actual

towing point and is NOT suitable to tow a trailer down a public road when in use on the rear linkage. The towing clevis can be used for towing lighter loads round the yard, however, it is not a load tested item and so cannot be guaranteed safe for use on public highways and is to be used for towing at own risk.

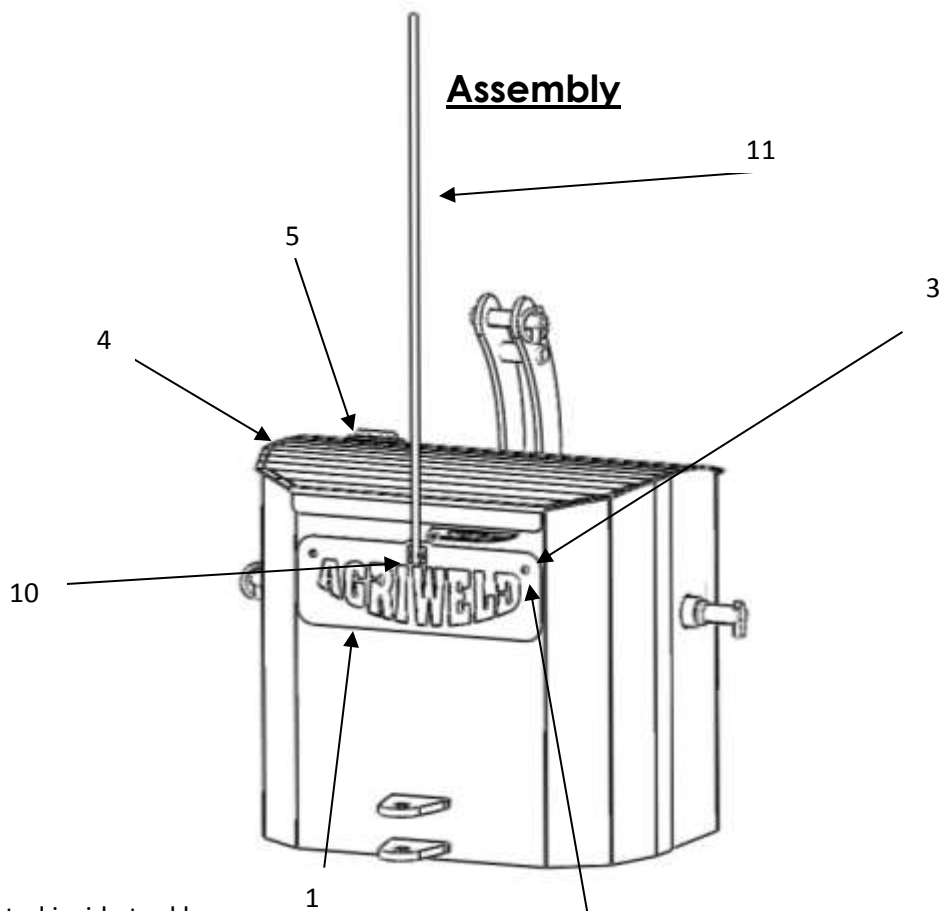
### **Important Maintenance**

It is important to check all pins for wear and ensure that none show significant signs of wear or damage.

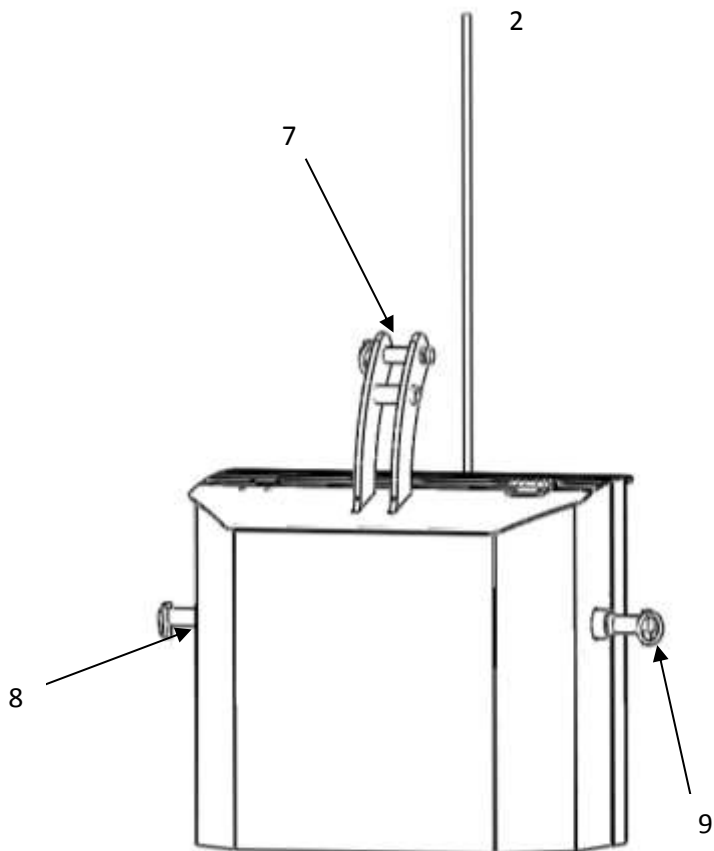
Keep the weight/transport box clean at all times.

When machines are going to be parked up for the winter months, correct storage methods are an important part of protecting the weight/transport box to ensure it has no problems. When you have finished work with the machine, the weight/transport box should be cleaned down and washed off and stored inside to protect the paint work.

**Assembly**



No 6 located inside tool box



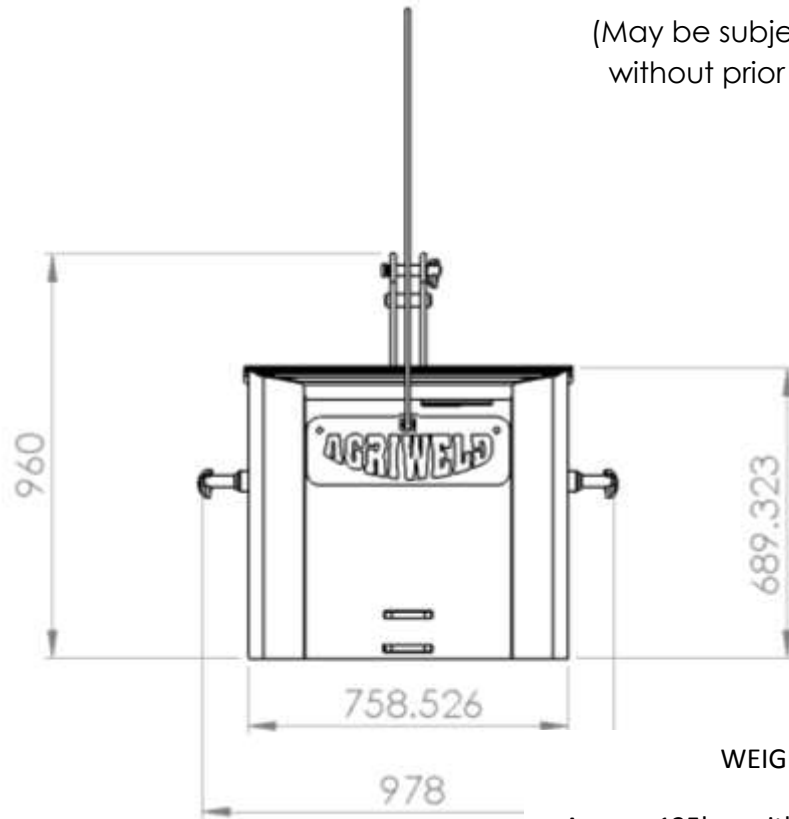
**Parts List**

<b>Item Number</b>	<b>Part Number</b>	<b>Description</b>	<b>Quantity per Machine</b>
1	AGR_LOGO	Agriweld Logo	1
2	M12 x 30	Logo Bolts	2
3	M12 Flat Washer	-	24
4	WBT_0404	Tool Box Lid	1
5	M12 x 30	Tool Box Bolts	4
6	M12 Nylock	Tool Box Nuts	4
7	Z325_105	Top Link Pin	1
8	Z528_123	Lower Link Pin	2
9	LP11Z	Linch Pin	3
10	AW_SP1A	Marker Holder Clamp Set	1
11	AW_MR	Marker Rod	1



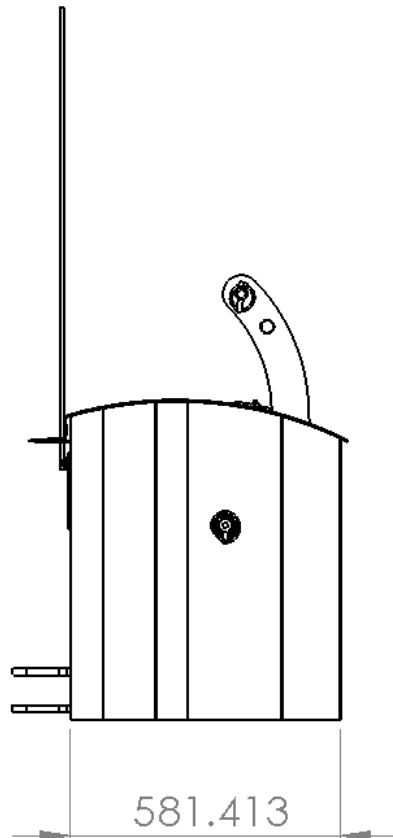
### DIMENSIONS

(May be subject to change without prior notification)



#### WEIGHT:

Approx 125kgs without concrete or  
max 500kg with concrete added



## CONNECTING YOUR LEDS

If you have ordered amber flashing LED side marker lights with your transport box, you will need to supply and fit the relevant 12-24V electrical plug to suit the connection to your tractor.

### WHITE LED SIDE MARKER LIGHTS FITTING INSTRUCTIONS

To connect your white LED side marker lights you will need to wire them up to a relevant 12-24 V electrical plug, suitable for your tractors electrical supply.

**BLUE** WIRE = EARTH (NEGATIVE -)

**BROWN** WIRE = LIVE (POSITIVE +)

### AMBER LED3DV FLASHING MARKER LIGHTS:

The amber flashing LED side marker lights are set to pattern PA1 before delivery. If you wish to change this, you will need to work your way down the list of patterns following the instructions below before fitting the plug and connecting to the tractor.

1. Using the **GREY** wire to make the change you will need a 12V battery on hand to alter the flashing pattern.
2. Connect the **BROWN** wire to Live (**+POSITIVE**) on the battery.
3. Connect the **BLACK** wire to Earth (**-NEGATIVE**) on the battery.
4. Touch the **GREY** wire once to Earth (**-NEGATIVE**) which will produce the next pattern in the sequence.
5. Keep touching the **GREY** wire in this way until the desired pattern is achieved.
6. When happy you can fit your 12-24V plug using only the **BROWN** LIVE (**+POSITIVE**) wire and **BLACK** Earth (**-NEGATIVE**) wire.
7. Cut excess **GREY** and **YELLOW** wires down to within the sheath to prevent further contact.

Pattern Number	Pattern	Synchronise	Alternate
PA1	Single Alert 150 – Phase 1	✓	✓
PA2	Single Alert 150 – Phase 2	✓	
PA3	Single Alert 75 – Phase 1	✓	✓
PA4	Single Alert 75 – Phase 2	✓	
PA5	Single Alert 375 – Phase 1	✓	✓
PA6	Single Alert 375 – Phase 2	✓	
PA7	Single Flash 150 – Phase 1	✓	✓
PA8	Single Flash 150 – Phase 2	✓	
PA9	Single Flash 75 – Phase 1	✓	✓
PA10	Single Flash 75 – Phase 2	✓	
PA11	Double Flash 150 – Phase 1	✓	✓
PA12	Double Flash 150 – Phase 2	✓	
PA13	Double Flash 75 – Phase 1	✓	✓
PA14	Double Flash 75 – Phase 2	✓	
PA15	Comet Flash 75		-
PA16	Action Flash	-	-
PA17	Module Flash	-	-
PA18	Comet Alert		-
PA19	Action Scan	-	-
PA20	Single Alert	-	-
PA21	Steady – High	N/A	N/A
PA22	Steady – Low	N/A	N/A
PA23	Off	N/A	N/A

## **Warranty**

Your Agriweld weight block/transport box is covered for a period of 12 months from the date of dispatch (which is recorded on our files) against faulty components and/or bad workmanship.

Our welders are coded to BS EN 287-1:2011 and our welding procedures are approved in accordance with: BS EN ISO 9606-1 to manufacture your equipment and all products are checked for quality prior to delivery/collection.





We cannot be responsible for claims arising from ignorance, occurrences outside our control, such as accidents, and malicious damage.

Damage occurred during transit must be reported on signing for the item from the haulier to enable us to make a claim for damages caused during transport.

### **WARRANTY CLAIMS FOR DAMAGE DURING TRANSIT**

Damage occurred during transit via an external haulier must be reported immediately upon unloading and signing for the item. The limit of our liability to undertake repairs to products damaged during transit is dependent on signing for any damaged product upon delivery as "DAMAGED".


## Stickers

Sticker	Part number	Description	Quantity per Machine
	AW_WB_AS (185 mm x 85mm)	Agriweld Sticker	1
	AW_WB_GB (85mm x 50mm)	Great Britain Sticker	1
	AW_WB_CHEV (300mm x 300mm)	Reflective Sticker	2
	AW_WB_OM	Operator Manual Sticker	1

## CE DECLARATION OF CONFORMITY

The equipment which accompanies this declaration is in conformity with EU Directive(s):-

### 2006/42/EC Machinery Directive

Manufacturer Name:	Agriweld Ltd
Manufacturer Address:	Main Street Garton-on-the-Wolds Driffield East Yorkshire YO25 3ET
Product:	SLIM Close Coupled weight block/transport box
Product Options:	Up to 500kg
Individual Serial Number:	
Product Description:	SLIM Close Coupled weight block/transport box
Date of Last Load Test Report:	N/A
Supplementary Information:	
Authorised Signatory on Behalf of Manufacturer:	
Name of Signatory:	Dawn Foster
Position in Company:	Director
Date of Issue:	