

1 2 3 4 5 6

A

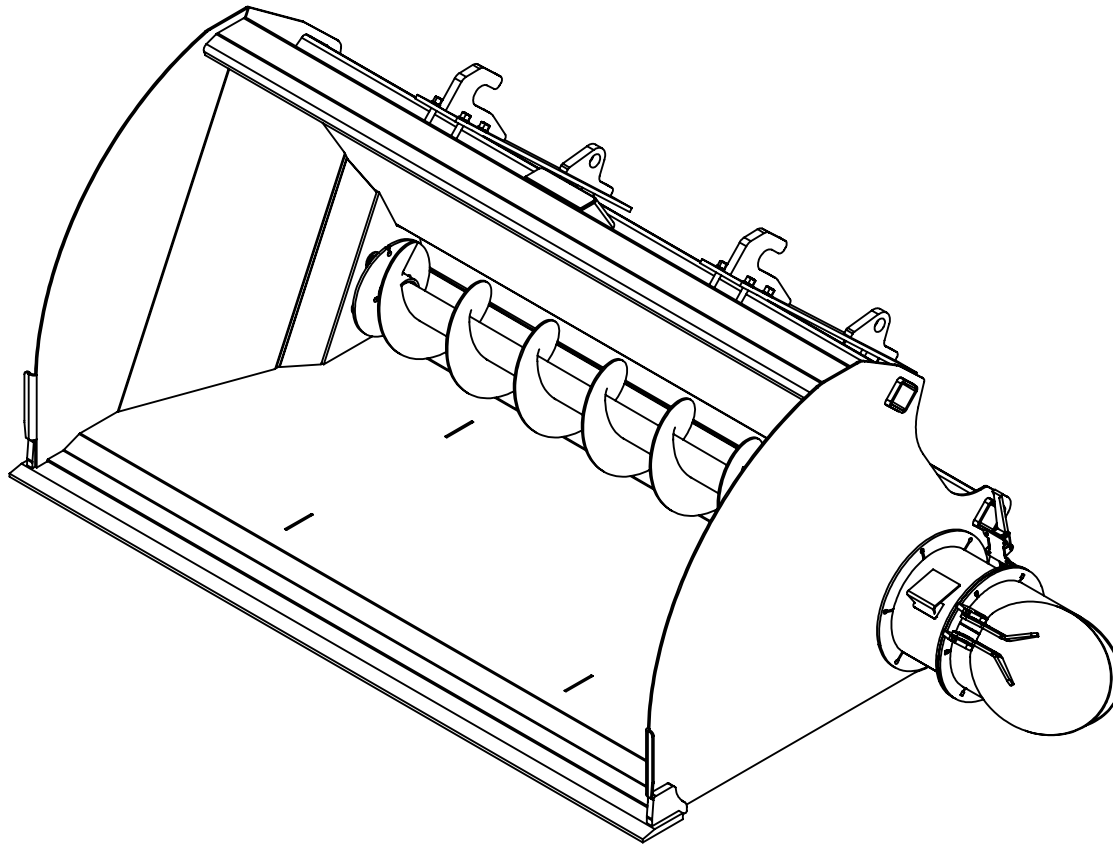
A

B

B

C

C



UNLESS OTHERWISE SPECIFIED:  
 DIMENSIONS ARE IN MILLIMETERS  
 SURFACE FINISH:  
 TOLERANCES:  
 LINEAR:  
 ANGULAR:  
 FINISH:  
 DEBUR AND  
 BREAK SHARP  
 EDGES

DO NOT SCALE DRAWING REVISION

Mass with Brackets approx 765 Kg

	NAME	SIGNATURE	DATE		
DRAWN					
CHK'D					
APPV'D					
ENG					
QA					

TITLE:  
**Standard Root Bucket**



DWG NO. **11\_2014\_LRB\_02** A4

1 2 WEIGHT: SCALE:1:50 SHEET 1 OF 4

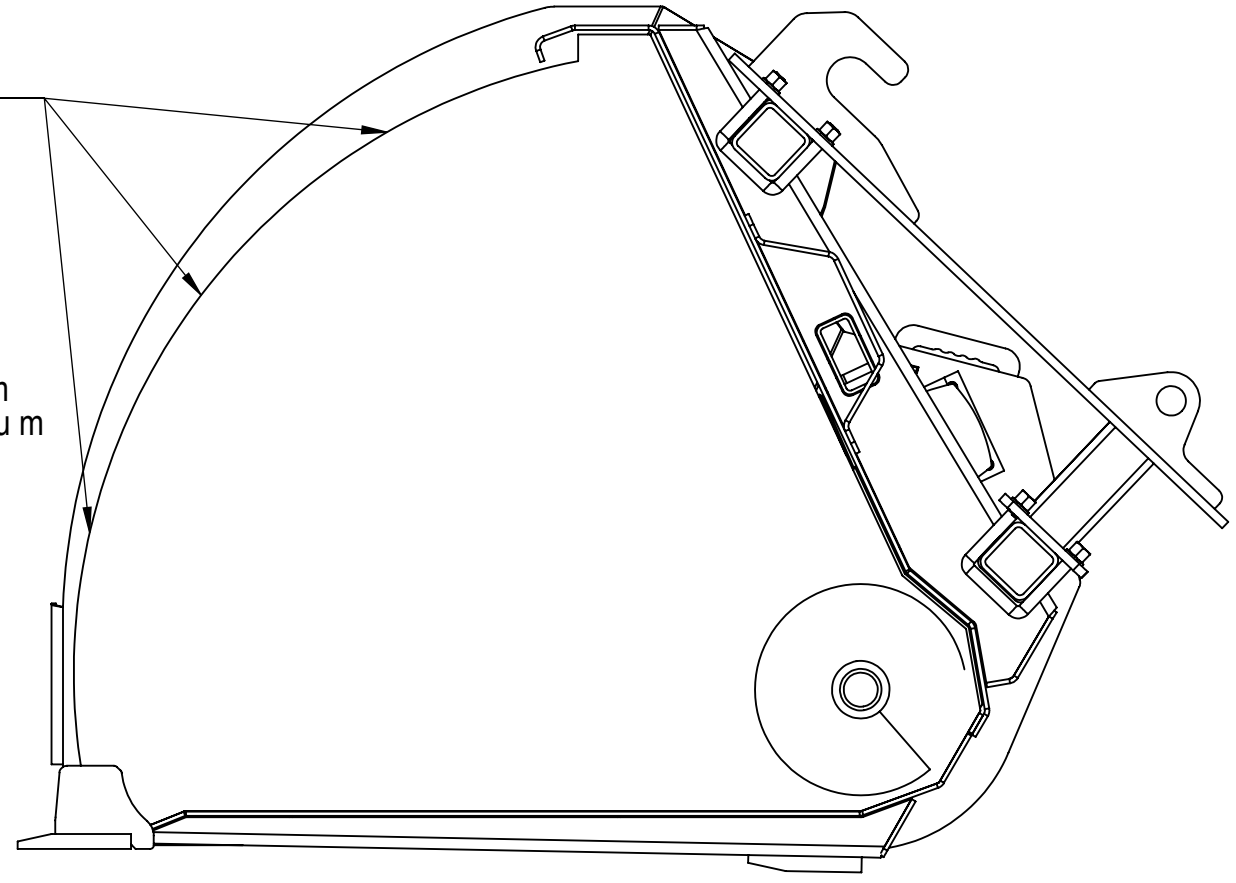
1 2 3 4 5 6

A

A

1.9 cubic meter capacity  
when filled to this line.

1390 kg of wheat @ 730 kg/ cu m  
1310 kg of potatoes @ 690 kg/ cu m  
Approx



B

C

C

D



### Standard Root Bucket

MATERIAL:

DWG NO. 11\_2014\_LRB\_02

A4

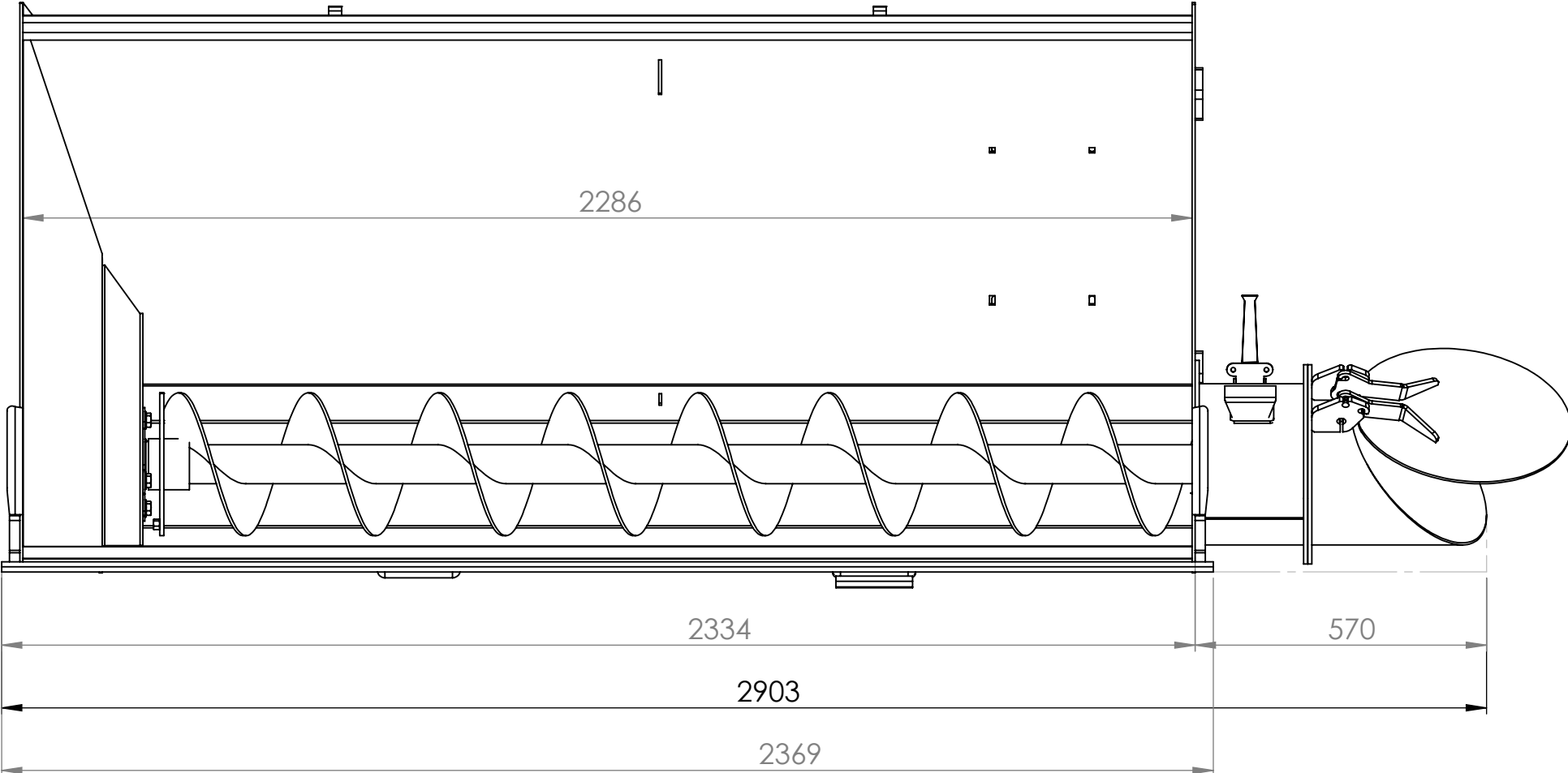
WEIGHT:

SCALE:1:50

SHEET 2 OF 4

1 2 3 4 5 6

# Standard Root Bucket



PPVD  
FG  
A

MATERIAL:

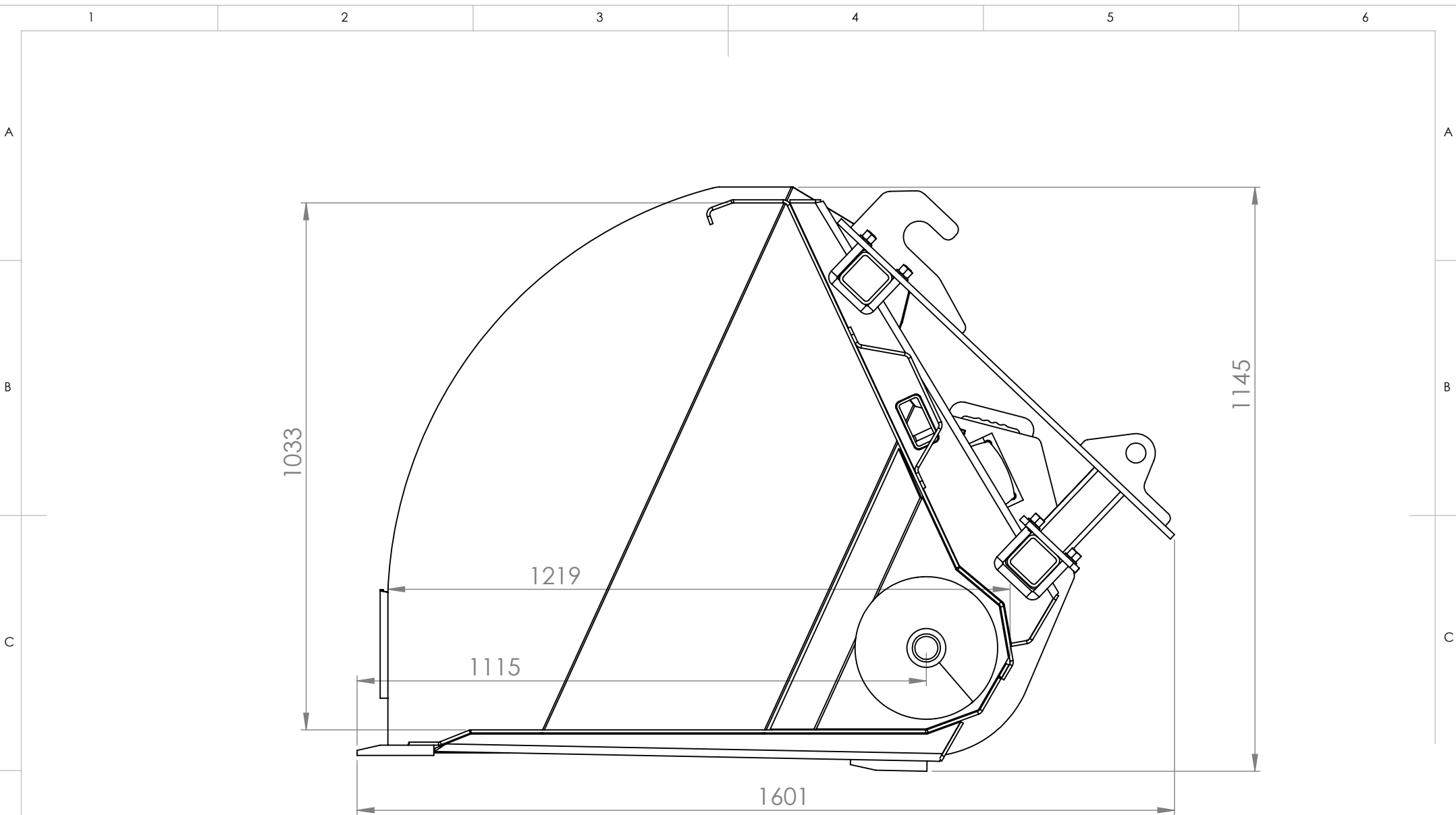
DWG NO. 11\_2014\_LRB\_02

A4

WEIGHT:

SCALE:1:50

SHEET 3 OF 4



	NAME	SIGNATURE	DATE		
DRAWN					
CHK'D					
APPV'D					
ENG					
QA					

TITLE: **Standard Root Bucket**

DWG NO. **11\_2014\_LRB\_02**

MATERIAL:

WEIGHT:

SCALE: 1:50

SHEET 4 OF 4

A4