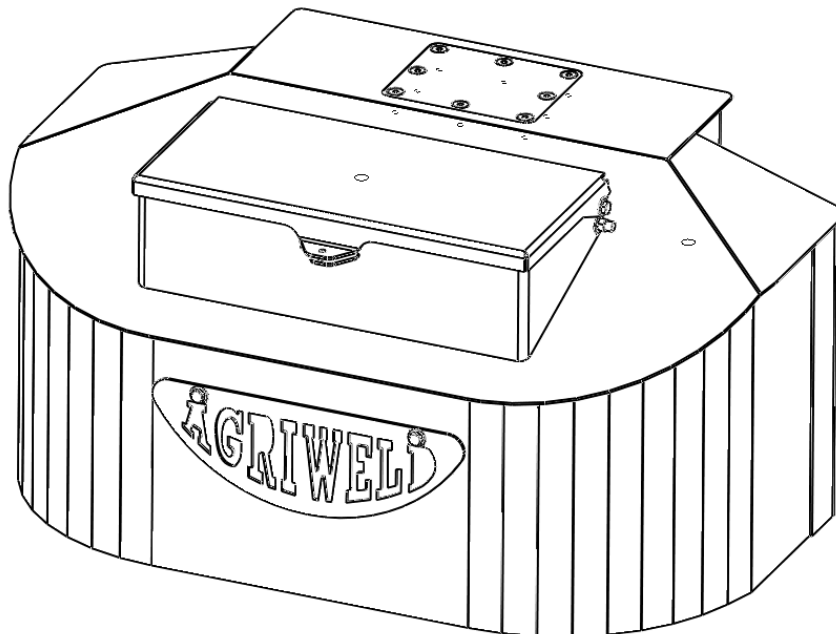


AGRI WELD

Operator Manual

Bolster Weight
600kg - 1100kg



Main Street
Garton-on-the-Wolds
Driffield, YO25 3ET
Tel: 01377 259140
Fax: 01377 259141
Email: sales@agriweld.co.uk
www.agriweld.co.uk

AGRI WELD

CONTENTS

Page 3	Summary
Page 4	General Safety & Qualifications and Training
Page 5	Further Safety & Special Safety Instructions
Page 6	Important Maintenance
Page 7	Assembly
Page 8	Parts List
Page 9	Warranty and Stickers
Page 10	CE Declaration of Conformity

Summary

The Agriweld Bolster Weight is a multipurpose implement and is designed to fit any tractor's front bolster. Designed and manufactured by Agriweld in Great Britain, it has several main uses;

As a ballast weight the Agriweld Bolster adds 600kg - 1000kg to the tractor front end and assists in utilising the full power of the tractor whilst in the field and balances the tractor whilst moving heavy loads on the road.

The lower and wider curved profile of the Agriweld Bolster Weight is much safer than some models available. It is clearly visible to the driver, down both the near and off side front of the tractor. It is fitted with a central, vertical marker, which is also a constant reminder to the driver that the Weight is on the front. This marker can also be used as a centre marker in the field.

The integral toolbox is a good size and can be used to store tools, wearing parts etc., and aids the safety of the driver in providing a place to store clutter from the cab floor.

General Safety

This manual must be provided to all persons concerned who will be involved with the setting up, operation, maintenance and use of the tractor and Agriweld Bolster Weight. It must be available at all times.

If important safety instructions are not complied with, it can lead to the risk of injury to you and others as well as damage to property and the environment.

NON-COMPLIANCE WITH SAFETY INSTRUCTIONS CAN LEAD TO WARRANTY CLAIMS BECOMING INVALID

Qualifications and Training

- Only personnel with the appropriate licence is authorised to use this machine.
- Statutory minimum age limits must be observed and reliable personnel only should perform maintenance/work on this machine.
- Persons undergoing training or instruction or taking part in a general training course should only use this machine under direct supervision of an experienced and trained person.
- The use of spare parts, accessories and ancillary equipment not supplied or approved by Agriweld could have detrimental effects to the construction or functions of the Agriweld Weight.
- Agriweld shall not be responsible for any damage caused by the use of spare parts or accessories and ancillary equipment not supplied or approved by Agriweld.
- The operator must be aware of their responsibilities with regard to observing traffic regulations. The operator must have the authority to refuse instructions issued by third parties which contravene safety.
- Any conversions or modifications to the machine may only be carried out after prior consultation and written confirmation from Agriweld.

Further Safety

- Any warning signs/instructions on the machine provide important information and must be observed.
- Ensure that you are familiar with the equipment, controls and functions before starting work.
- Check around the machine for any noticeable damage or missing parts before starting work.
- It is advisable that the operator wears close fitting clothing to avoid the risk of snagging and trapping.
- Ensure that you watch out for wandering individuals (particularly children!).
- Always match your speed to the conditions and legal speed limits. Observe and respect traffic regulations when using public roads.
- Remember to take into account the size of any attachments to the tractor you may have and be aware of the sideways forces acting on the machine when turning and negotiating corners. Always ensure adequate all round visibility.

Special Safety Instructions

- Take extra care when hitching up or un-hitching the weight to/from the tractor. Be aware of what is under the weight (such as your feet) before dropping it off.
- Use the pallet forks of a forklift under the base of the weight to hook the weight to the bolster and be sure to use the locking pinch bolts provided to secure. The driver of the forklift is required to hold the appropriate licence and be competent to use it.
- Ensure that the tractor's hydraulic system is in full working order.
- Never allow any person to stand between the tractor and the weight during connection or at any time unless the tractor is secured against rolling away by use of a parking brake and/or wheel chocks.
- It is forbidden to allow any persons to ride or sit on the weight at any time. Observers should maintain a safe distance when machine is in use.
- When performing any adjustments to the machine the tractor engine must be switched off to prevent the hydraulics from operating.
- Ensure that any items stored in the toolboxes are secured by closing the lid.

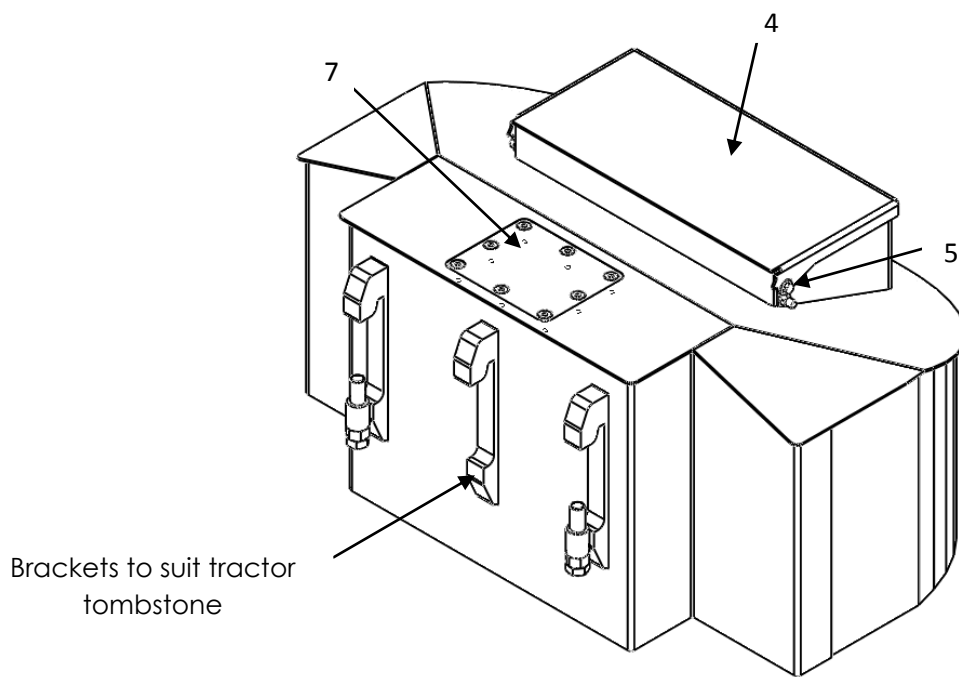
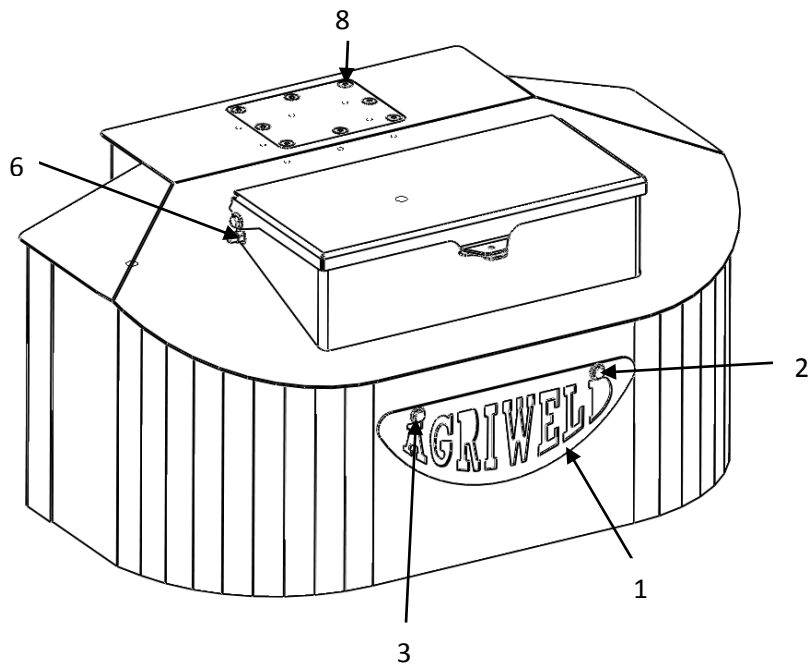
Important Maintenance

It is important to check the attachment is secured with the locking pinch bolts provided before use and that none are missing or damaged.

Keep the weight clean at all times.

When machines are going to be parked up for the winter months, correct storage methods are an important part of protecting the Agriweld Weight to ensure it has no problems. When you have finished work with the machine, the Weight should be cleaned down and washed off and stored inside to protect the paint work.

Assembly



Parts List

Item Number	Part Number	Description	Quantity per Machine
1	AGR_LOGO	Agriweld Logo	1
2	M12 x 30	Logo Bolts	2
3	M12 Flat Washer	-	10
4	WBT_0404	Tool Box Lid	1
5	M12 x 30	Tool Box Bolts	4
6	M12 Nyloc	Tool Box Nuts	4
7	WBT_1TFL	Fill Lid	1
8	M12 x 35 CS	Counter Sunk Bolt	8

Warranty




Your Agriweld Bolster Weight is covered for a period of 12 months from the date of delivery (which is recorded on our files) against faulty components and/or bad workmanship.

Our welders are coded to BS EN 287-1:2011 and our welding procedures are approved in accordance with: BS EN ISO 9606-1 to manufacture your equipment and all products are checked for quality prior to delivery/collection.

We cannot be responsible for claims arising from ignorance, occurrences outside our control, such as accidents, and malicious damage.

Damage occurred during transit must be reported on signing for the item from the haulier to enable us to make a claim for damages caused during transport.

Stickers

Sticker	Part number	Description	Quantity per Machine
 The sticker features the word 'AGRIWELD' in large, bold, red, stylized letters. Below it, in smaller black text, are the words 'AGRICULTURAL MACHINERY MANUFACTURERS' and the phone number '01377 259140'.	AW_WB_AS (185 mm x 85mm)	Agriweld Sticker	2
 The sticker features the Union Jack flag with the text 'MADE GREAT IN BRITAIN' at the top.	AW_WB_GB (85mm x 50mm)	Great Britain Sticker	2
 The sticker features a red and white diagonal striped pattern.	AW_REF_S (290mm x 290mm)	Reflective Sticker	2

CE DECLARATION OF CONFORMITY

The equipment which accompanies this declaration is in conformity with EU Directive(s):-

2006/42/EC Machinery Directive

Manufacturer Name:	Agriweld Ltd
Manufacturer Address:	Main Street Garton-on-the-Wolds Driffield East Yorkshire YO25 3ET
Product:	Agriweld Bolster Weight 600kg – 1100kg
Product Options:	All
Individual Serial Number:	
Product Description:	Bolster Weight Block 600kg – 1100kg with single central toolbox
Date of Last Load Test Report:	N/A
Supplementary Information:	
Authorised Signatory on Behalf of Manufacturer:	
Name of Signatory:	Dawn Foster
Position in Company:	Director
Date of Issue:	