

1 2 3 4 5 6

A

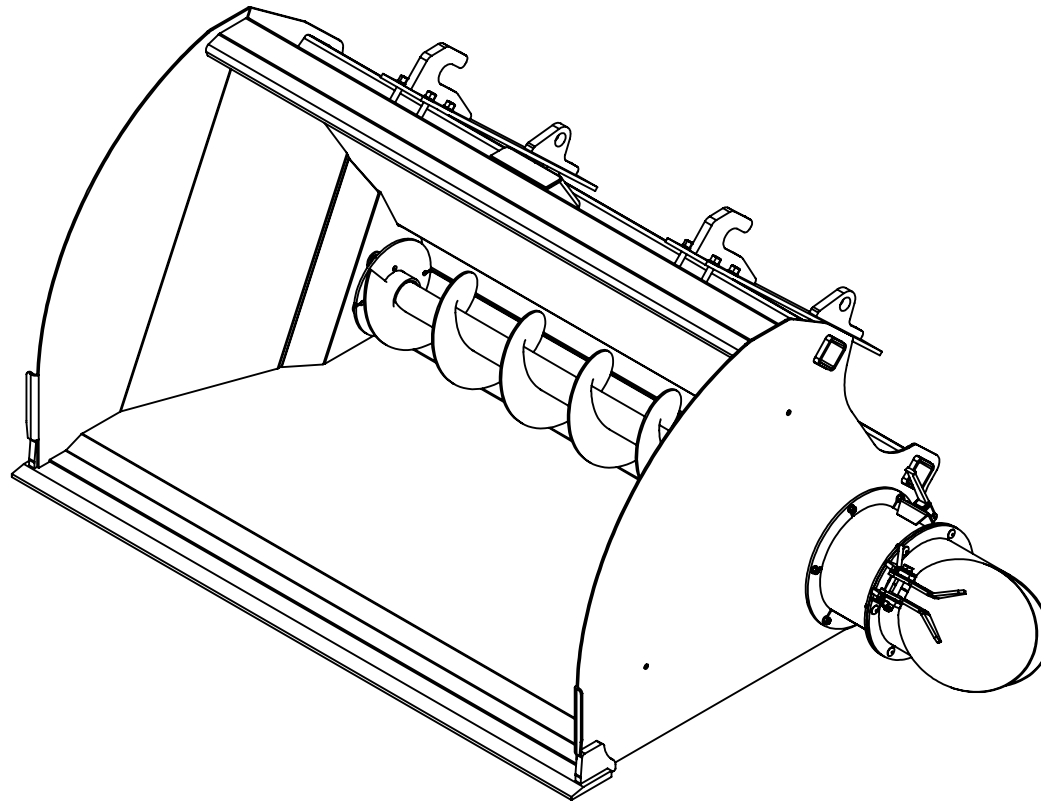
A

B

B

C

C



UNLESS OTHERWISE SPECIFIED:
 DIMENSIONS ARE IN MILLIMETERS
 SURFACE FINISH:
 TOLERANCES:
 LINEAR:
 ANGULAR:

FINISH:

DEBUR AND
BREAK SHARP
EDGES

DO NOT SCALE DRAWING

REVISION

Mass with Brackets approx 725 kg

	NAME	SIGNATURE	DATE		
DRAWN					
CHK'D					
APPV'D					
ENG					
QA					
				MATERIAL:	
				WEIGHT:	

TITLE:

Small Root Bucket

DWG NO.

11_2014_RB_01

A4

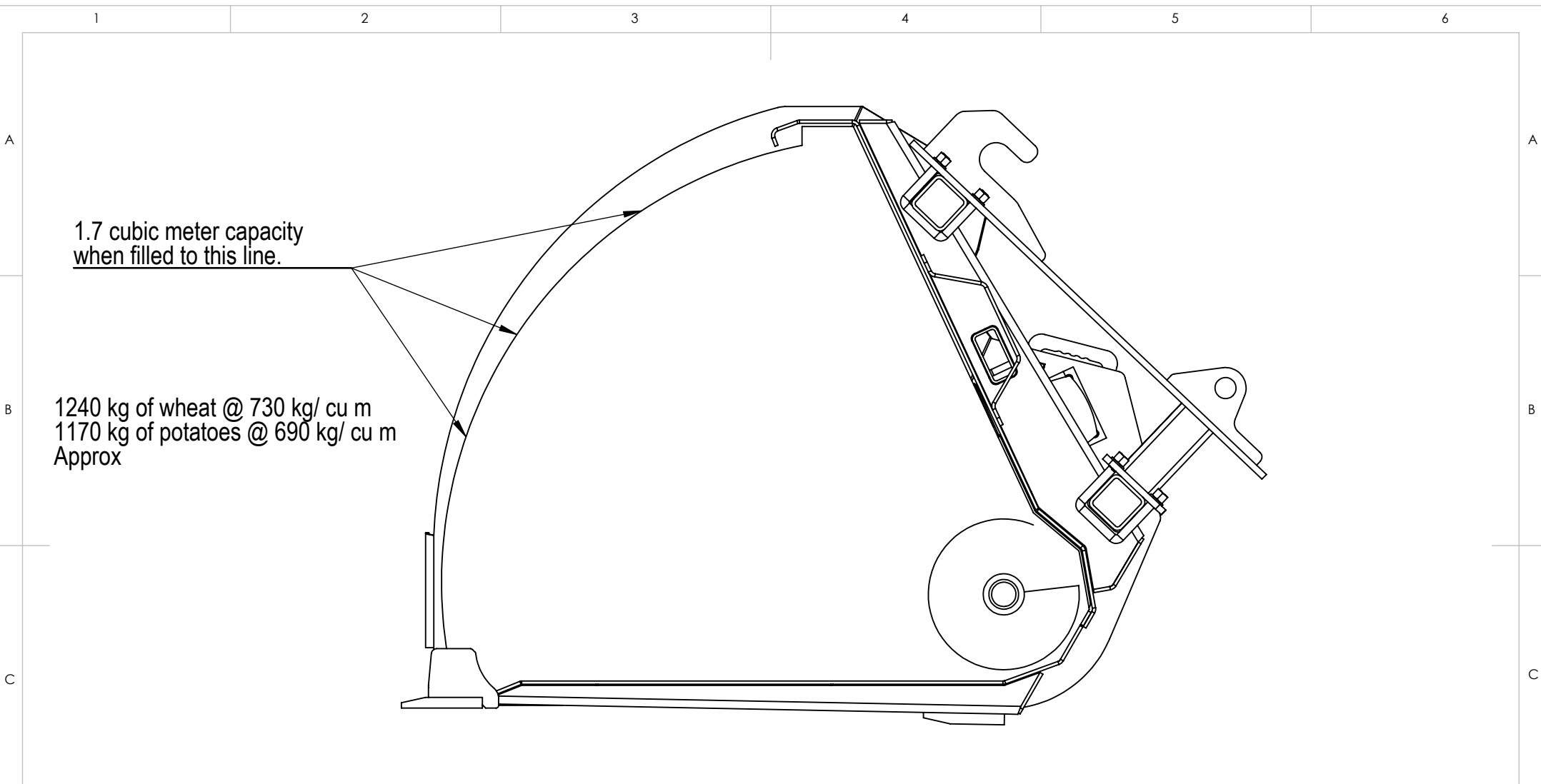


1

2

SCALE:1:50

SHEET 1 OF 4



1.7 cubic meter capacity
when filled to this line.

1240 kg of wheat @ 730 kg/ cu m
1170 kg of potatoes @ 690 kg/ cu m
Approx



UNLESS OTHERWISE SPECIFIED: DIMENSIONS ARE IN MILLIMETERS SURFACE FINISH: TOLERANCES: LINEAR: ANGULAR:				FINISH:		DEBUR AND BREAK SHARP EDGES		DO NOT SCALE DRAWING		REVISION	
DRAWN				NAME		SIGNATURE		DATE		TITLE:	
CHK'D										Small Root Bucket	
APPV'D											
MFG										DWG NO. 11_2014_RB_01	
S.A										A4	
								MATERIAL:		SCALE:1:50	
								WEIGHT:		SHEET 2 OF 4	

Small Root Bucket

2011

2627

2058

569

2093

AGRI-WELD

MATERIAL:

DWG NO.

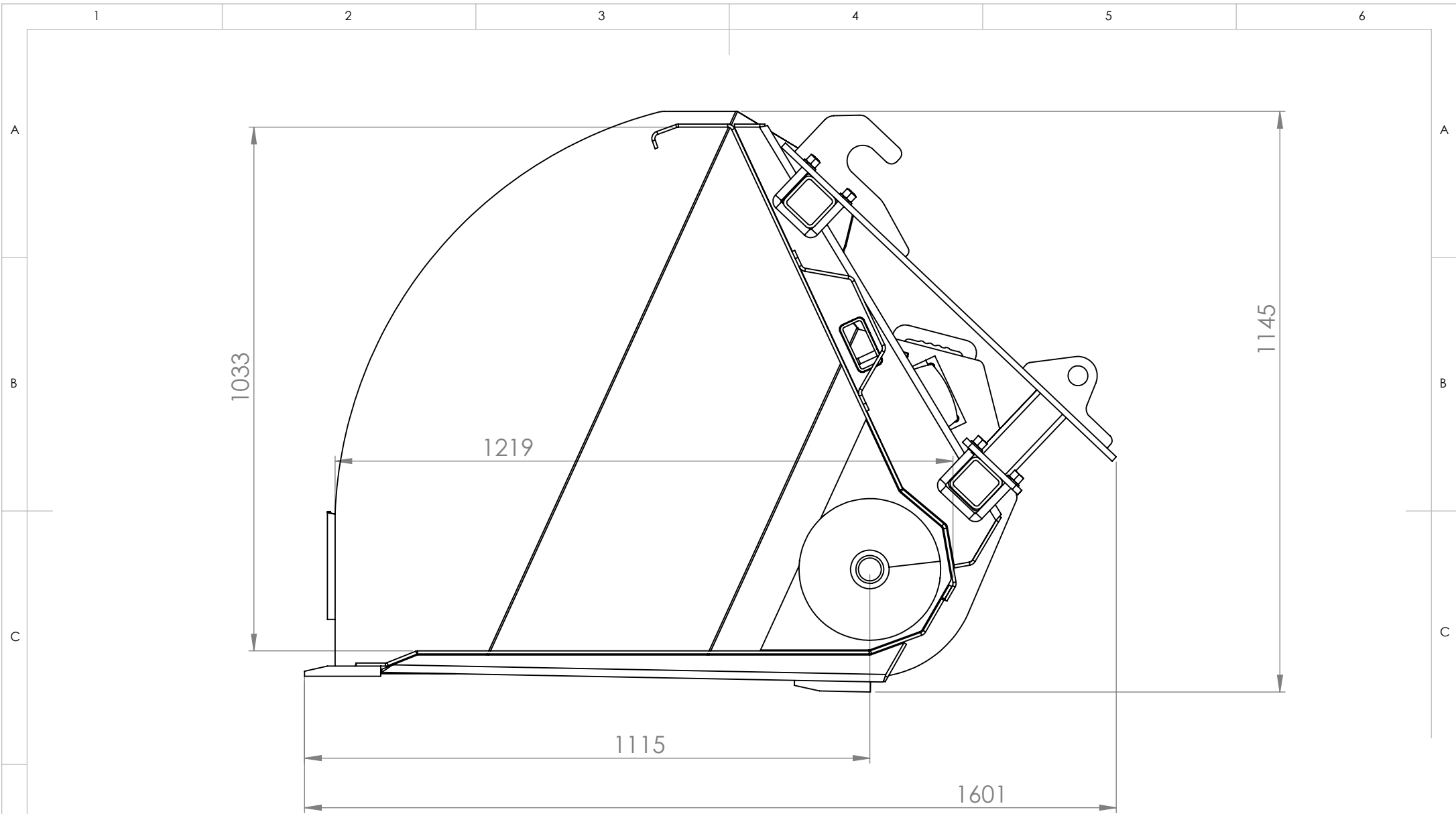
11_2014_RB_01

A4

WEIGHT:

SCALE:1:50

SHEET 3 OF 4



Small Root Bucket



CHK'D _____
 APPV'D _____

MATERIAL: _____

DWG NO.

11_2014_RB_01

A4

WEIGHT: _____

SCALE:1:50

SHEET 4 OF 4