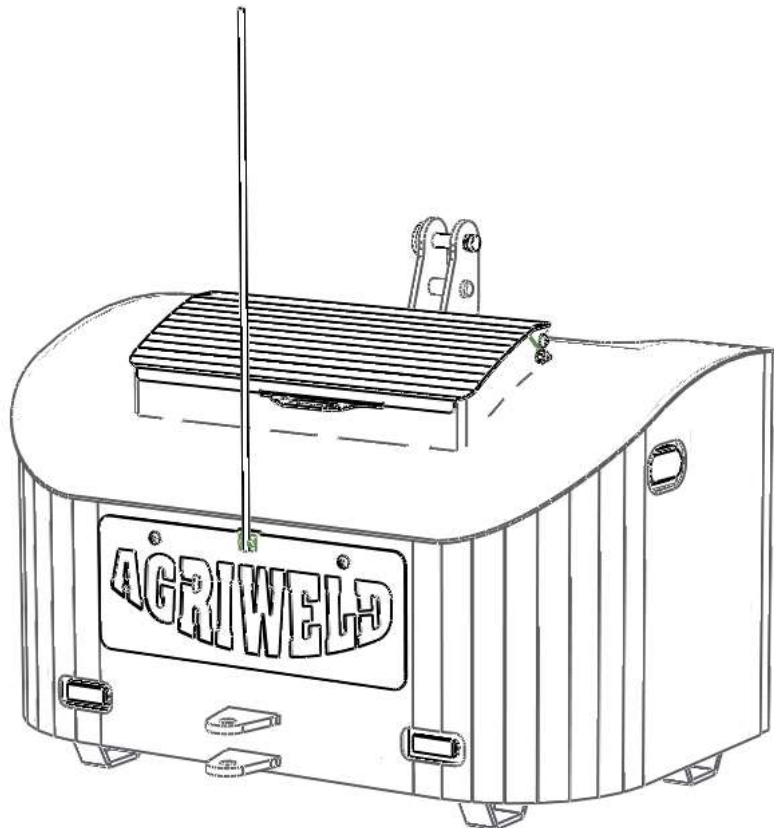


# AGRIWELD

## Operator Manual

500kg - 1000kg Compact

Front Linkage Weight Block



**AGRIWELD**

Main Street  
Garton-on-the-Wolds  
Driffield, YO25 3ET  
Tel: 01377 259140  
Fax: 01377 259141  
Email: [sales@agriweld.co.uk](mailto:sales@agriweld.co.uk)  
[www.agriweld.co.uk](http://www.agriweld.co.uk)

## CONTENTS

|                |  |
|----------------|--|
| <b>Page 3</b>  | Summary                                      |
| <b>Page 4</b>  | General Safety & Qualifications and Training |
| <b>Page 5</b>  | Further Safety & Special Safety Instructions |
| <b>Page 6</b>  | Important Maintenance                        |
| <b>Page 7</b>  | Assembly                                     |
| <b>Page 8</b>  | Parts List                                   |
| <b>Page 9</b>  | Dimensions                                   |
| <b>Page 10</b> | Connecting your LEDs                         |
| <b>Page 11</b> | Connecting your LEDs continued...            |
| <b>Page 12</b> | Warranty                                     |
| <b>Page 13</b> | Stickers                                     |
| <b>Page 14</b> | CE Declaration of Conformity                 |

## **Summary**

The Agriweld Compact Front Linkage Weight is a multipurpose implement and is designed to fit any tractor by use of a front linkage. Designed and manufactured by Agriweld in Great Britain, it has several main uses;

As a ballast weight the Agriweld Weight adds 500kg - 1000kg to the tractor front end and assists in utilising the full power of the tractor whilst in the field and balances the tractor whilst moving heavy loads on the road.

The compact profile of the Agriweld Weight is neater for the smaller weight and is fitted as standard with a central, vertical marker, which is also a constant reminder to the driver that the weight is on the front. This marker can also be used as a centre marker in the field.

The integral toolbox is a good size and can be used to store tools, wearing parts etc., and aids the safety of the driver in providing a place to store clutter from the cab floor.

## **General Safety**

This manual must be provided to all persons concerned who will be involved with the setting up, operation, maintenance and use of the tractor and Agriweld Weight. It must be available at all times.

If important safety instructions are not complied with, it can lead to the risk of injury to you and others as well as damage to property and the environment.

### **NON-COMPLIANCE WITH SAFETY INSTRUCTIONS CAN LEAD TO WARRANTY CLAIMS BECOMING INVALID**

#### **Qualifications and Training**

- Only personnel with the appropriate licence is authorised to use this machine.
- Statutory minimum age limits must be observed and reliable personnel only should perform maintenance/work on this machine.
- Persons undergoing training or instruction or taking part in a general training course should only use this machine under direct supervision of an experienced and trained person.
- The use of spare parts, accessories and ancillary equipment not supplied or approved by Agriweld could have detrimental effects to the construction or functions of the Agriweld Weight.
- Agriweld shall not be responsible for any damage caused by the use of spare parts or accessories and ancillary equipment not supplied or approved by Agriweld.
- The operator must be aware of their responsibilities with regard to observing traffic regulations. The operator must have the authority to refuse instructions issued by third parties which contravene safety.
- Any conversions or modifications to the machine may only be carried out after prior consultation and written confirmation from Agriweld.

## **Further Safety**

- Any warning signs/instructions on the machine provide important information and must be observed.
- Ensure that you are familiar with the equipment, controls and functions before starting work.
- Check around the machine for any noticeable damage or missing parts before starting work.
- It is advisable that the operator wears close fitting clothing to avoid the risk of snagging and trapping.
- Ensure that you watch out for wandering individuals (particularly children!).
- Always match your speed to the conditions and legal speed limits. Observe and respect traffic regulations when using public roads.
- Remember to take into account the size of any attachments to the tractor you may have and be aware of the sideways forces acting on the machine when turning and negotiating corners. Always ensure adequate all round visibility.

## **Special Safety Instructions**

- Take extra care when hitching up or un-hitching the weight to/from the tractor. Use the pallet forks of a forklift under the base of the weight to hook the weight to the front linkage and be sure to use the top and lower link pins provided to secure. The driver of the forklift is required to hold the appropriate licence and be competent to use it.
- Never allow any person to stand between the tractor and the weight during connection or at any time unless the tractor is secured against rolling away by use of a parking brake and/or wheel chocks.
- It is forbidden to allow any persons to ride or sit on the weight at any time. Observers should maintain a safe distance when machine is in use.
- When performing any adjustments to the machine the tractor engine must be switched off to prevent the hydraulics from operating.
- Ensure that any items stored in the toolbox are secured by closing the lid.
- The driving characteristics of the forklift/loader/tractor are influenced and altered by the attachment of mounted machines and it is important to ensure adequate steering and braking ability as required.
- The towing clevis is intended for light use only. E.g.: for pulling a furrow press out of a corner using a chain. It is more of a chaining point not an actual towing point and is NOT suitable to tow a trailer down a public road when in

use on the rear linkage. The towing clevis can be used for towing lighter loads round the yard, however, it is not a load tested item and so cannot be guaranteed safe for use on public highways and is to be used for towing at own risk.

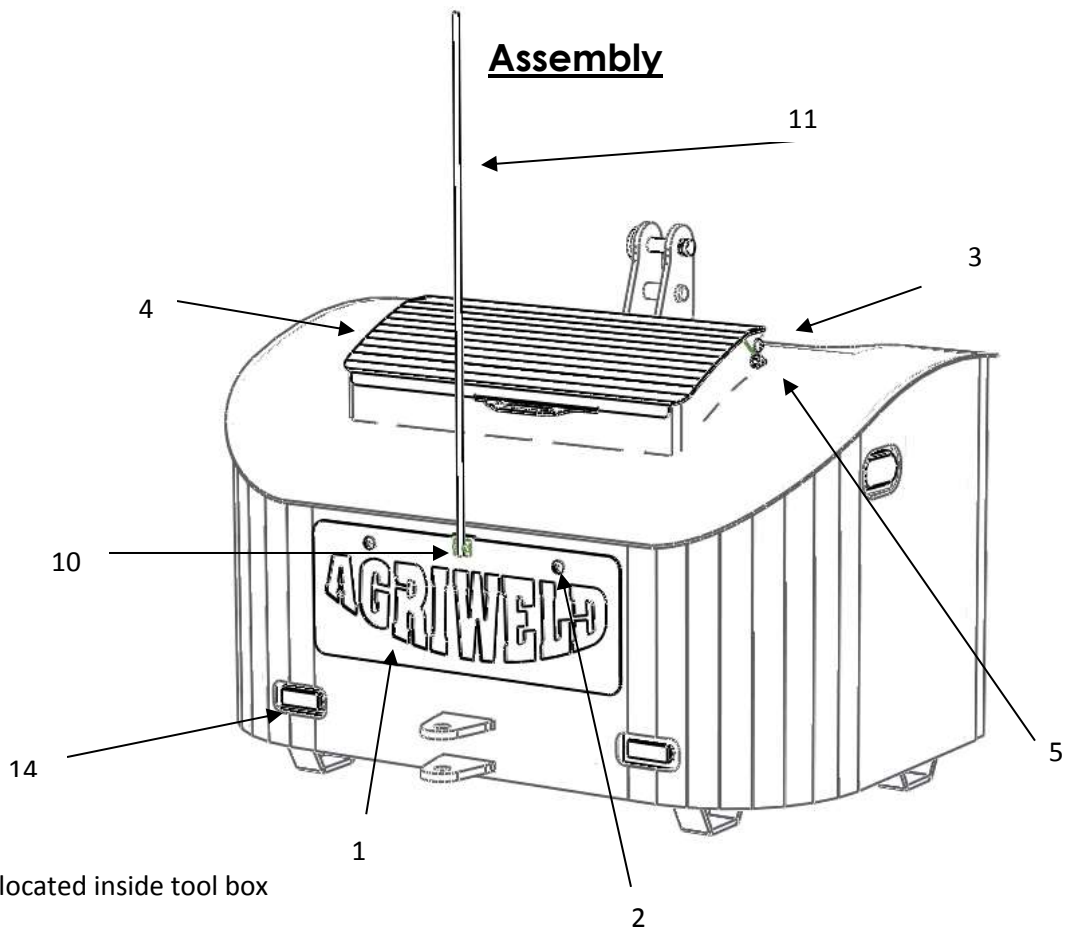
### **Important Maintenance**

It is important to check all pins for wear and ensure that none show significant signs of wear or damage.

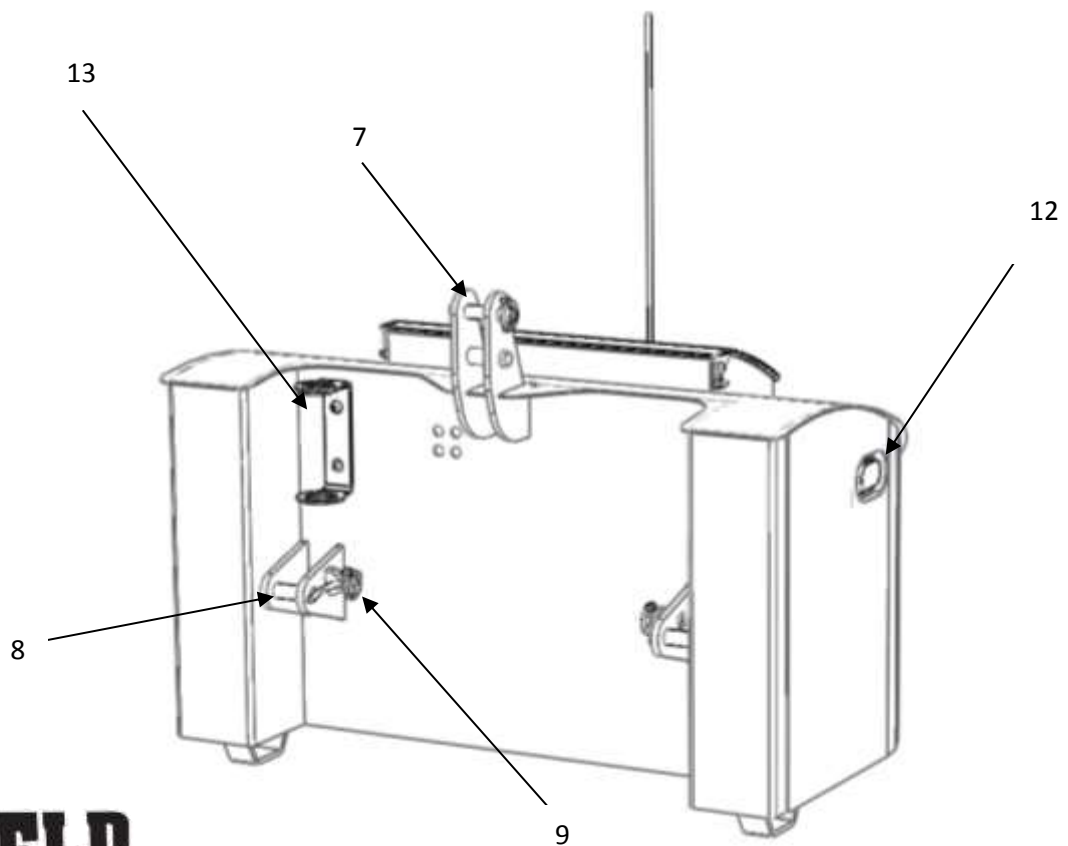
Keep the weight clean at all times.

When machines are going to be parked up for the winter months, correct storage methods are an important part of protecting the Agriweld Weight to ensure it has no problems. When you have finished work with the machine, the Weight should be cleaned down and washed off and stored inside to protect the paint work.

### Assembly



No 6 located inside tool box



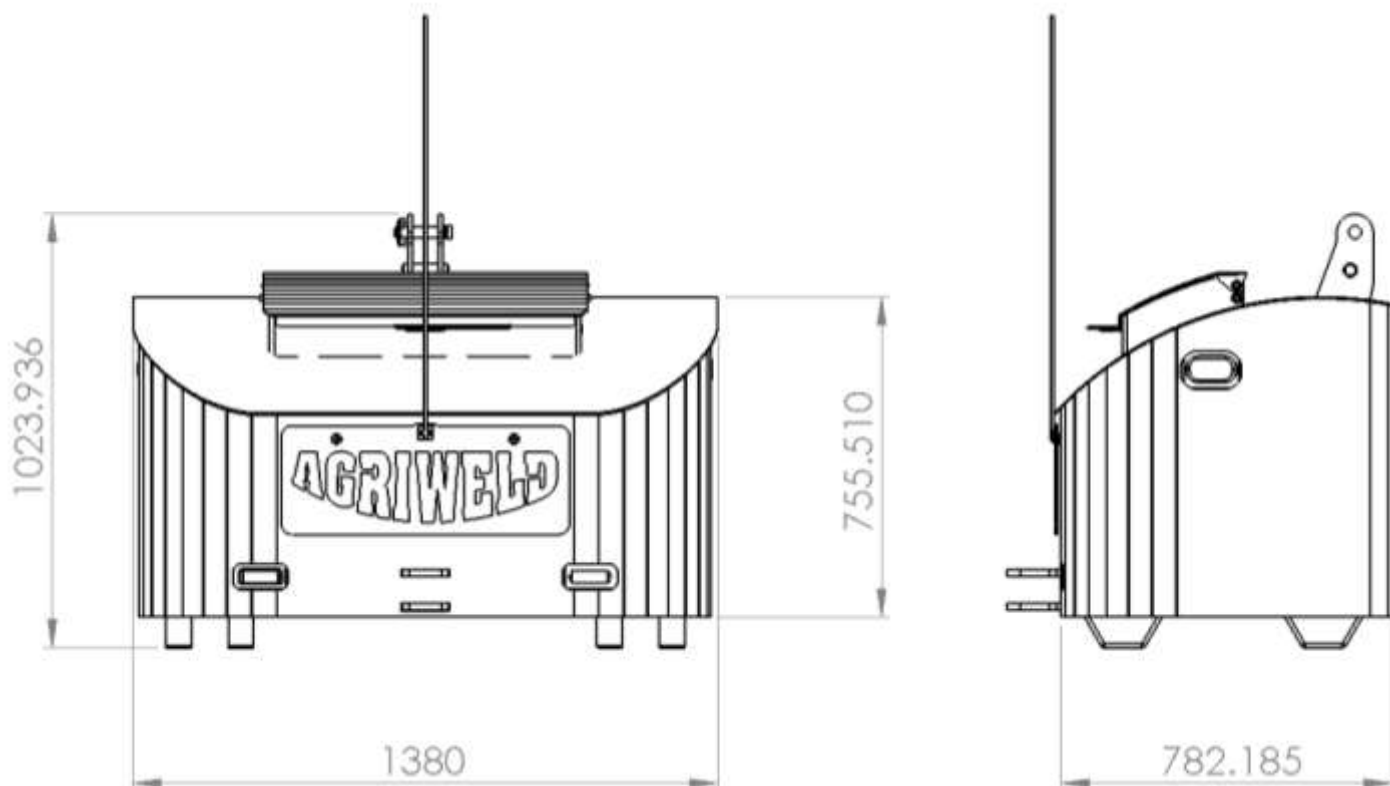
**Parts List**

| <b>Item Number</b> | <b>Part Number</b> | <b>Description</b>            | <b>Quantity per Machine</b> |
|--------------------|--------------------|-------------------------------|-----------------------------|
| 1                  | AGR_LOGO           | Agriweld Logo                 | 1                           |
| 2                  | M12 x 30           | Logo Bolts                    | 2                           |
| 3                  | M12 Flat Washer    | -                             | 10                          |
| 4                  | WBT_0404           | Tool Box Lid                  | 1                           |
| 5                  | M12 x 30           | Tool Box Bolts                | 4                           |
| 6                  | M12 Nylock         | Tool Box Nuts                 | 4                           |
| 7                  | Z325_105           | Top Link Pin                  | 1                           |
| 8                  | Z528_123           | Lower Link Pin                | 2                           |
| 9                  | LP11Z              | Linch Pin                     | 3                           |
| 10                 | AW_SP1A            | Marker Holder Clamp Set       | 1                           |
| 11                 | AW_MR              | Marker Rod                    | 1                           |
| 12                 | -                  | Optional White LED's          | 2                           |
| 13                 | NSGG_0601          | Grease Gun Holder (optional)  | 1                           |
| 14                 | -                  | Optional Amber Flashing LED's | 2                           |

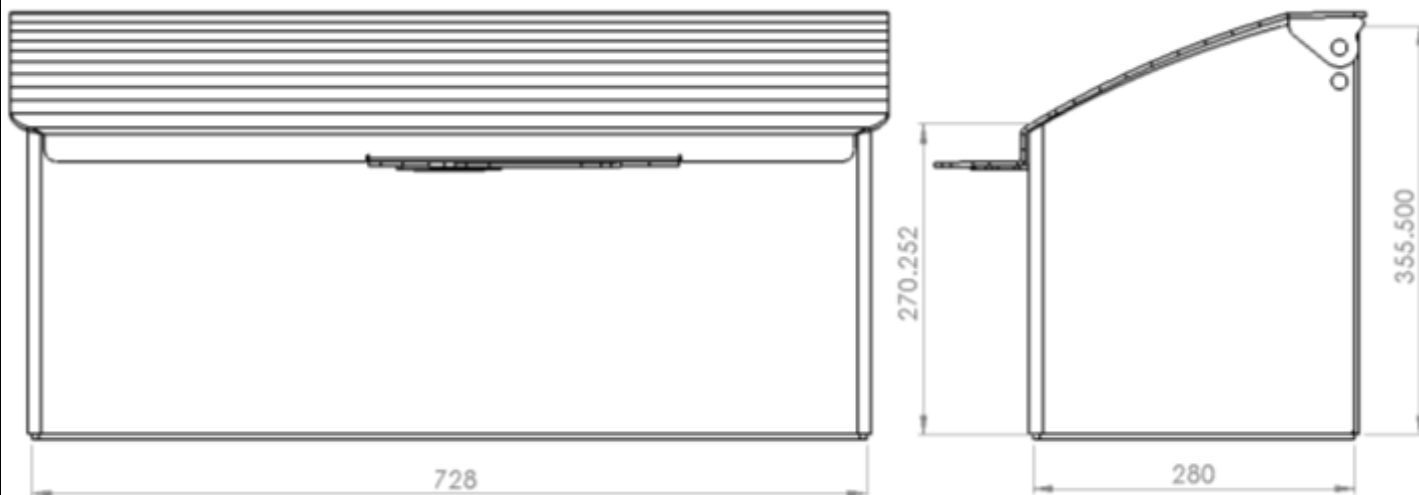


## DIMENSIONS

### Weight block dimensions



### Toolbox dimensions



**AGRIWELD**

## CONNECTING YOUR LEDS

If you have ordered white or amber flashing LED side marker lights with your weight block, you will need to supply and fit the relevant 12-24V electrical plug to suit the connection to your tractor.

### WHITE LED SIDE MARKER LIGHTS FITTING INSTRUCTIONS

To connect your white LED side marker lights you will need to wire them up to a relevant 12-24 V electrical plug, suitable for your tractors electrical supply.

**BLUE** WIRE = EARTH (NEGATIVE -)

**BROWN** WIRE = LIVE (POSITIVE +)

### AMBER LED3DV FLASHING MARKER LIGHTS:

The amber flashing LED side marker lights are set to pattern PA1 before delivery. If you wish to change this, you will need to work your way down the list of patterns following the instructions below before fitting the plug and connecting to the tractor.

1. Using the **GREY** wire to make the change you will need a 12V battery on hand to alter the flashing pattern.
2. Connect the **BROWN** wire to Live (**+POSITIVE**) on the battery.
3. Connect the **BLACK** wire to Earth (**-NEGATIVE**) on the battery.
4. Touch the **GREY** wire once to Earth (**-NEGATIVE**) which will produce the next pattern in the sequence.
5. Keep touching the **GREY** wire in this way until the desired pattern is achieved.
6. When happy you can fit your 12-24V plug using only the **BROWN** LIVE (**+POSITIVE**) wire and **BLACK** Earth (**-NEGATIVE**) wire.
7. Cut excess **GREY** and **YELLOW** wires down to within the sheath to prevent further contact.

## CONNECTING YOUR LEDS CONTINUED...

### FLASHING MODES

| Pattern Number | Pattern                    | Synchronise | Alternate |
|----------------|----------------------------|-------------|-----------|
| PA1            | Single Alert 150 – Phase 1 | ✓           | ✓         |
| PA2            | Single Alert 150 – Phase 2 | ✓           | ✓         |
| PA3            | Single Alert 75 – Phase 1  | ✓           | ✓         |
| PA4            | Single Alert 75 – Phase 2  | ✓           | ✓         |
| PA5            | Single Alert 375 – Phase 1 | ✓           | ✓         |
| PA6            | Single Alert 375 – Phase 2 | ✓           | ✓         |
| PA7            | Single Flash 150 – Phase 1 | ✓           | ✓         |
| PA8            | Single Flash 150 – Phase 2 | ✓           | ✓         |
| PA9            | Single Flash 75 – Phase 1  | ✓           | ✓         |
| PA10           | Single Flash 75 – Phase 2  | ✓           | ✓         |
| PA11           | Double Flash 150 – Phase 1 | ✓           | ✓         |
| PA12           | Double Flash 150 – Phase 2 | ✓           | ✓         |
| PA13           | Double Flash 75 – Phase 1  | ✓           | ✓         |
| PA14           | Double Flash 75 – Phase 2  | ✓           | ✓         |
| PA15           | Comet Flash 75             | -           | -         |
| PA16           | Action Flash               | -           | -         |
| PA17           | Module Flash               | -           | -         |
| PA18           | Comet Alert                | -           | -         |
| PA19           | Action Scan                | -           | -         |
| PA20           | Single Alert               | -           | -         |
| PA21           | Steady – High              | N/A         | N/A       |
| PA22           | Steady – Low               | N/A         | N/A       |
| PA23           | Off                        | N/A         | N/A       |

## **Warranty**

Your Agriweld Weight is covered for a period of 12 months from the date of dispatch (which is recorded on our files) against faulty components and/or bad workmanship.

Our welders are coded to BS EN 287-1:2011 and our welding procedures are approved in accordance with: BS EN ISO 9606-1 to manufacture your equipment and all products are checked for quality prior to delivery/collection.





We cannot be responsible for claims arising from ignorance, occurrences outside our control, such as accidents, and malicious damage.

Damage occurred during transit must be reported on signing for the item from the haulier to enable us to make a claim for damages caused during transport.

### **WARRANTY CLAIMS FOR DAMAGE DURING TRANSIT**

Damage occurred during transit via an external haulier must be reported immediately upon unloading and signing for the item. The limit of our liability to undertake repairs to products damaged during transit is dependent on signing for any damaged product upon delivery as "DAMAGED".

## Stickers

| Sticker  | Part number                   | Description             | Quantity per Machine |
|--|-------------------------------|-------------------------|----------------------|
|  <p>The sticker features the Agriweld logo in large, bold, red letters with a black outline. Below the logo, it reads 'AGRICULTURAL MACHINERY MANUFACTURERS' and '01277 258140 www.agriweld.co.uk'.</p>                               | AW_WB_AS<br>(185 mm x 85mm)   | Agriweld Sticker        | 1                    |
|  <p>The sticker features a stylized Union Jack flag with the words 'Made in Britain' written across it in a red, serif font.</p>  | AW_WB_GB<br>(85mm x 50mm)     | Great Britain Sticker   | 1                    |
|  <p>The sticker features a high-visibility yellow and black diagonal striped pattern. The Agriweld logo is visible in the bottom right corner.</p>   | AW_WB_CHEV<br>(300mm x 300mm) | Reflective Sticker      | 2                    |
|  <p>The sticker has a black background with a yellow section at the bottom. It reads 'IMPORTANT' in yellow, 'PLEASE READ' in black, and 'OPERATOR MANUAL' in black. A yellow icon of an open book is centered between the text.</p> | AW_WB_OM                      | Operator Manual Sticker | 1                    |

## CE DECLARATION OF CONFORMITY

The equipment which accompanies this declaration is in conformity with EU Directive(s):-

**2006/42/EC Machinery Directive**

|   |  |
|---|--|
| Manufacturer Name:                              | Agriweld Ltd   |
| Manufacturer Address:                           | Main Street<br>Garton-on-the-Wolds<br>Driffield<br>East Yorkshire<br>YO25 3ET        |
| Product:  | Agriweld Compact Front Linkage Weight  |
| Product Options:                                | 500kg – 1000kg   |
| Individual Serial Number:                       |  |
| Product Description:                            | Compact Front Linkage Weight Block   |
| Date of Last Load Test Report:                  | N/A  |
| Supplementary Information:                      |  |
| Authorised Signatory on Behalf of Manufacturer: |  |
| Name of Signatory:                              | Dawn Foster  |
| Position in Company:                            | Director   |
| Date of Issue:                                  |  |