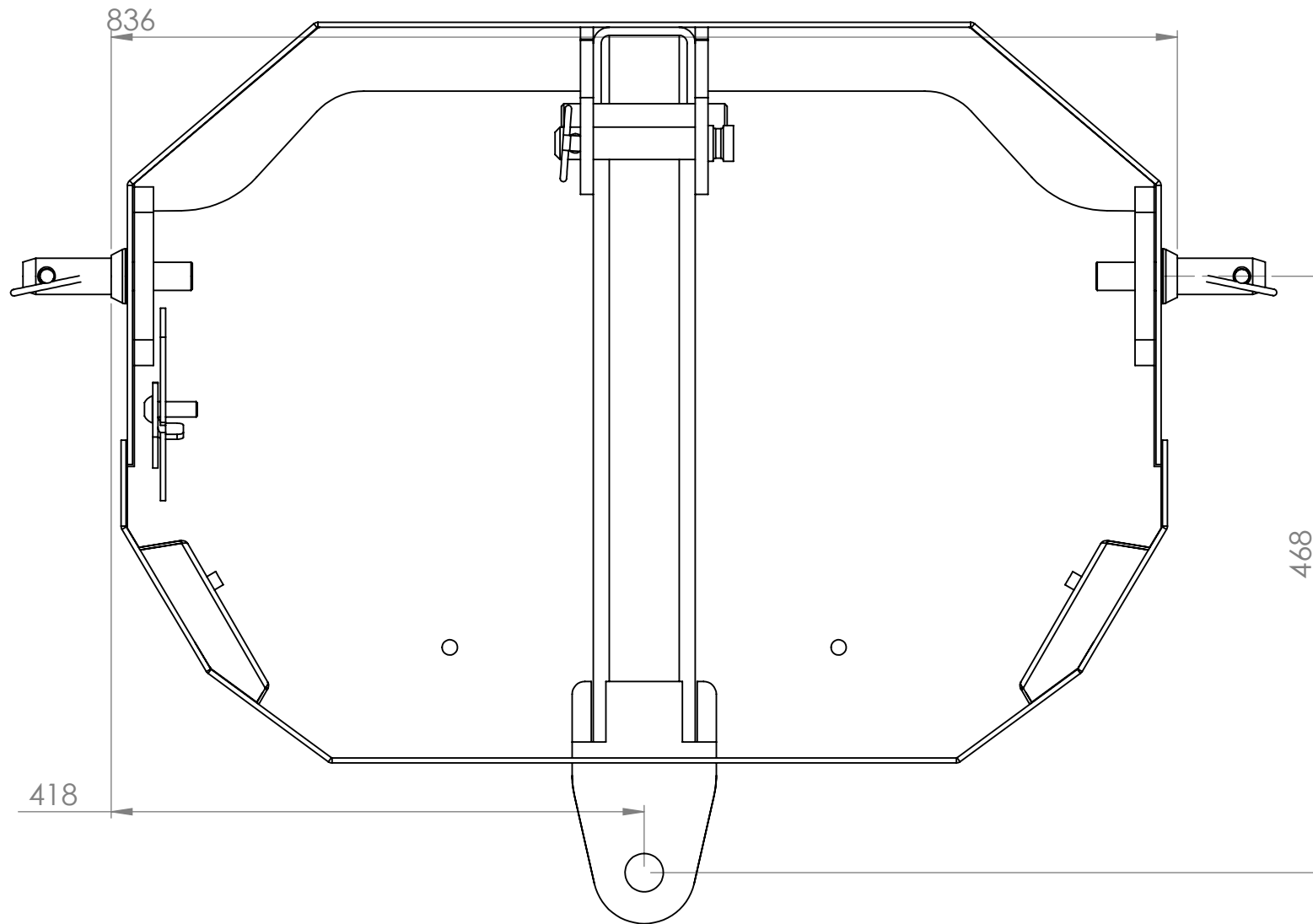


Bash plate not shown



2017 Close Coupled Transport box

MATERIAL:	DWG NO.	A4
WEIGHT:	SCALE:1:1	
		SHEET 1 OF 3



AGRI WELD

Q.A

MATERIAL:

2017 Close Coupled Transport

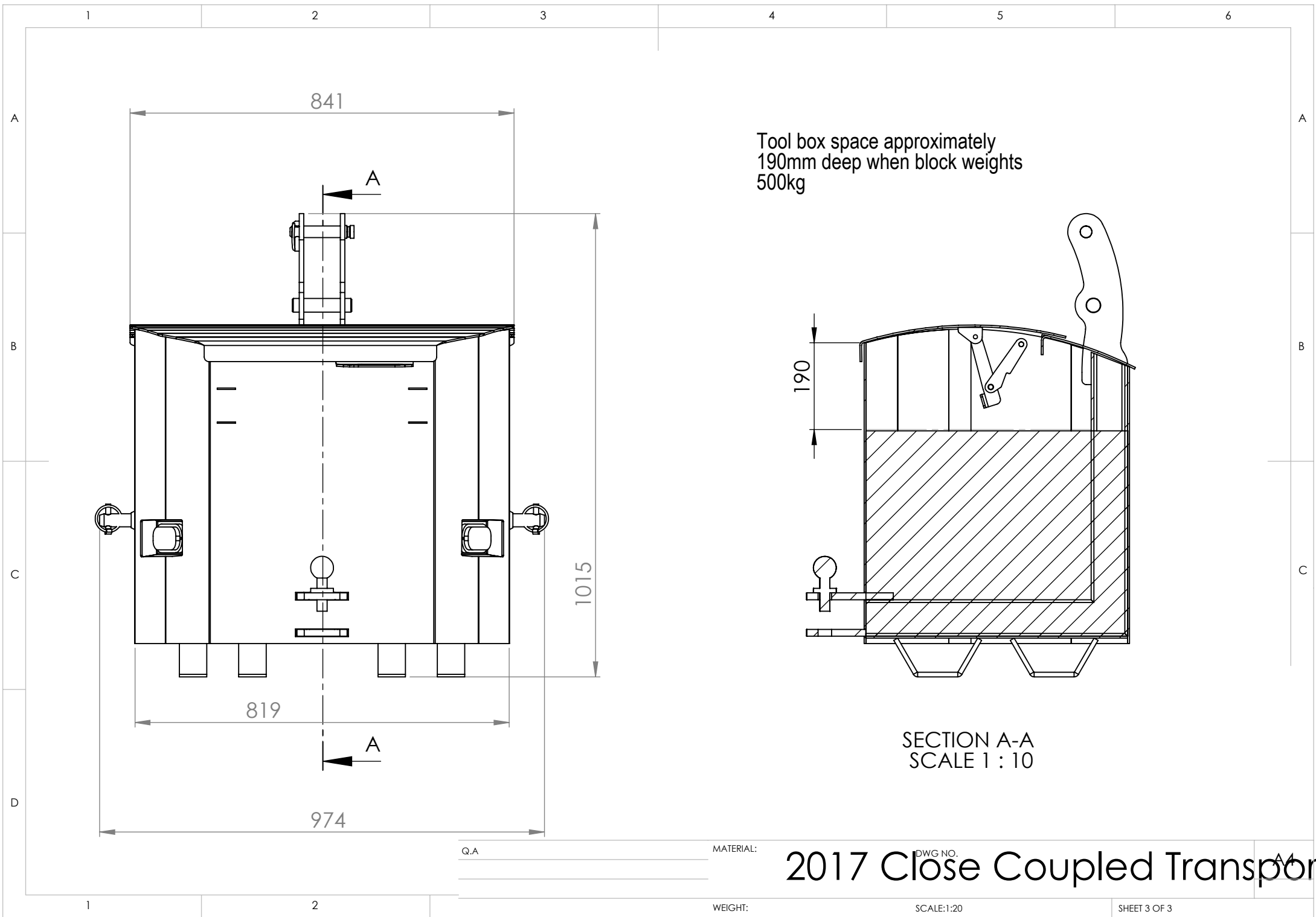
DWG NO.

WEIGHT:

SCALE:1:20

SHEET 2 OF 3

A4



Tool box space approximately
190mm deep when block weights
500kg

SECTION A-A
SCALE 1 : 10

Q.A MATERIAL:

WEIGHT:

DWG NO.

SCALE:1:20

SHEET 3 OF 3

2017 Close Coupled Transport

A1