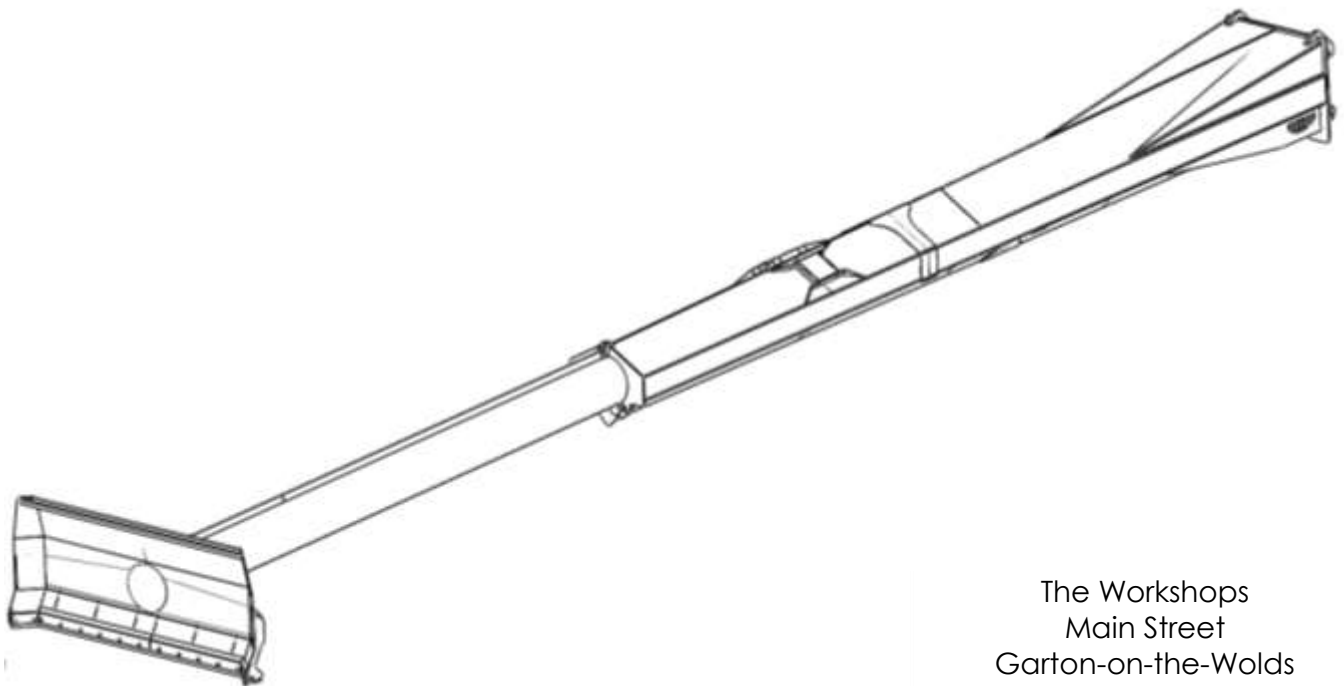


AGRI WELD

OPERATOR MANUAL

18 Metre Telescopic Grain Pusher



www.agriweld.co.uk

The Workshops
Main Street
Garton-on-the-Wolds
Driffield, YO25 3ET
Tel: 01377 259140
Fax: 01377 259141
Email: sales@agriweld.co.uk

AGRI WELD

Contents Page

Page 3	Summary, Qualification & Training
Page 4	Further Safety, Special Safety Instructions
Page 5	Important Maintenance, Warranty
Page 6 - 7	Setting up the Grain Pusher for the first time
Page 8	Main Body Assembly
Page 9	Mani Body Assembly Continued
Page 10	Main Body Assembly Parts List
Page 11	Telescopic Tubular Assembly
Page 12	Telescopic Tubular Assembly Parts List
Page 13	Grain Pusher Blade
Page 14	Stickers
Page 15	Warranty
Page 16	Declaration of Conformity

Summary

This Agriweld Telescopic Grain Pusher has been designed to fit a CAT 966H Loading shovel and is specific to this machine. It must not be adapted or altered to fit any other loader without prior authorisation from our technical department for safety reasons.

It can be used without extension to reach 11m and fully extended to reach 18m. It can also be used at various adjustable increments in between.

This grain pusher is for the piling and movement of grain within a grain store. It is NOT to be used for any other purpose.

Total Unit Weight: 4000kg

Qualifications and Training

Only personnel with the appropriate license is authorised to use this machine.

Statutory minimum age limits must be observed and reliable, experienced personnel only should use, perform maintenance or work on this machine.

Persons undergoing training or instruction or taking part in a general training course should NOT be allowed to use this machine even under direct supervision of an experienced and trained person.

The use of spare parts, accessories and ancillary equipment not supplied or approved by Agriweld could have detrimental effects to the construction or functions of the machine. Agriweld shall not be responsible for any damage caused by the use of spare parts or accessories and ancillary equipment not supplied or approved by Agriweld.

The operator must be aware of their responsibilities with regard to observing traffic regulations. The operator must have the authority to refuse instructions issued by third parties which contravene safety.

Any conversions or modifications to the machine may only be carried out after prior consultation and written confirmation from Agriweld.

The telescopic grain pusher and loader should be used with **extreme caution**, and the operator must NOT perform any sudden manoeuvres due to the size of the equipment and forces imposed working at such extremes.

Further Safety

Any warning signs/instructions on the machine provide important information and must be observed.

Ensure that you are familiar with the equipment, controls and functions before starting work.

Check round the machine for any noticeable damage, or missing parts before starting work.

It is advisable that the operator wears close fitting clothing to avoid the risk of snagging and trapping.

Ensure that you watch out for wandering individuals (particularly children!).

Always match your speed to the conditions and legal speed limits. Observe and respect traffic regulations. This grain pusher must NOT be transported down public roads, unless via road haulage service.

EXTREMELY IMPORTANT

Remember to take into account the size of this attachment and loader and be aware of the sideways forces acting on the machine when turning and negotiating corners. Always ensure adequate all round visibility.

Special Safety Instructions

Take extra care when hitching up or un-hitching the grain pusher to/from the loader. Be aware of what is under the grain pusher (such as your feet) before dropping it off.

Ensure that the loaders hydraulic system and other mechanics are in full working order, all forklifts and loaders are subject to an annual LOLLER report.

Never allow any person to stand between the loader and the grain pusher during connection or at any time unless the loader is secured against rolling away by use of a parking brake and/or wheel chocks.

It is forbidden to allow any persons to ride or sit on the grain pusher at any time. Observers should maintain a safe distance when this machine is in use.

When performing any adjustments to the machine the loader must be switched off to prevent the hydraulics from operating.

The driving characteristics of the forklift/loader are influenced and altered by the attachment of mounted machines and it is important to ensure adequate steering and braking ability as required

Important Maintenance

It is important to check all pins for wear and ensure that none show significant signs of wear or damage. Replace as required with the same specification.

Check the condition of the rubber blade and replace as necessary.

Be observant for signs of distress to the bracketing and grain pusher beam

Check condition of all 6 rollers periodically and replace as required.

DO NOT USE this grain pusher if you feel there may be a fault or if the machine requires maintenance, until rectified.

SETTING UP / USING THE GRAIN PUSHER FOR THE FIRST TIME

Check the loading shovels hand book for the correct tyre pressures when using heavier attachments and adjust them accordingly.

Attach the grain pusher to the loader prior to extending the reach. Hitch the loader up to the bracketing like you would any other attachment. Ensure you are confident that the pusher is correctly attached before first use.

USING THE TELESCOPIC GRAIN PUSHER for the first time

Once you have the grain pusher attached to your loader, you are ready to begin use. We advise using the pusher without extension initially to get a "feel" for the attachment and loader together. We also suggest extending the pusher a little at a time and getting used to using it at each stage BEFORE attempting full reach. **This is a very dangerous piece of equipment and extreme caution needs to be observed.**

DO NOT try to take too bigger mouthful (swamp the blade) of grain with the pusher. Better to take smaller quantities than to put unnecessary strain on the loader and pusher.

USING THE GRAIN PUSHER AT FULL 18M EXTENSION

When you are ready to use the pusher at full extension (18m), ensure that the loading shovel is not likely to tip forwards - ask yourself "does it feel too front heavy?" If you feel that it is, the grain pusher may be too heavy for the loader, or you may need to retract the telescopic section enough to rectify this. Ensure the tyre pressures are correct on your loader, and that you feel confident using the grain pusher before attempting to use it at this maximum extension. It is extremely important that you use very slow controlled movements when using the pusher at this capacity. Ensure that any spectators are at a safe distance.

ADJUSTING THE WORKING LENGTH OF THE GRAIN PUSHER

We recommend making adjustments to the length of the telescopic section by this method. It is a 2 man operation, one person is required to drive the loader and the second person is required to signal to the loader driver when the desired length is reached and to replace the pins at the adjustment points marked red along the top of the telescopic section.

The operation MUST BE PERFORMED SLOWLY to prevent damage.

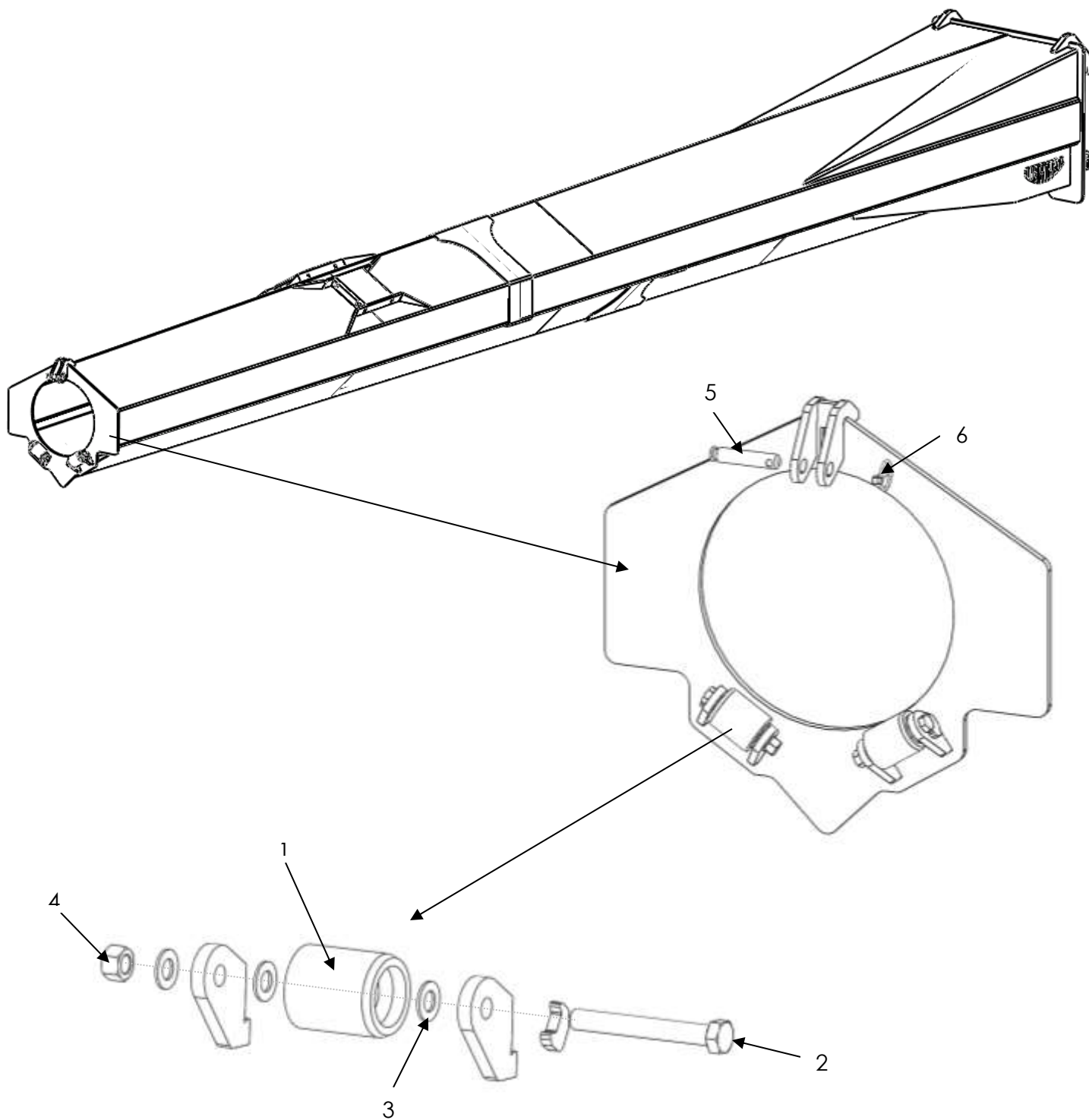
When you reach the desired extension, replace the locking pin and lynch pin.



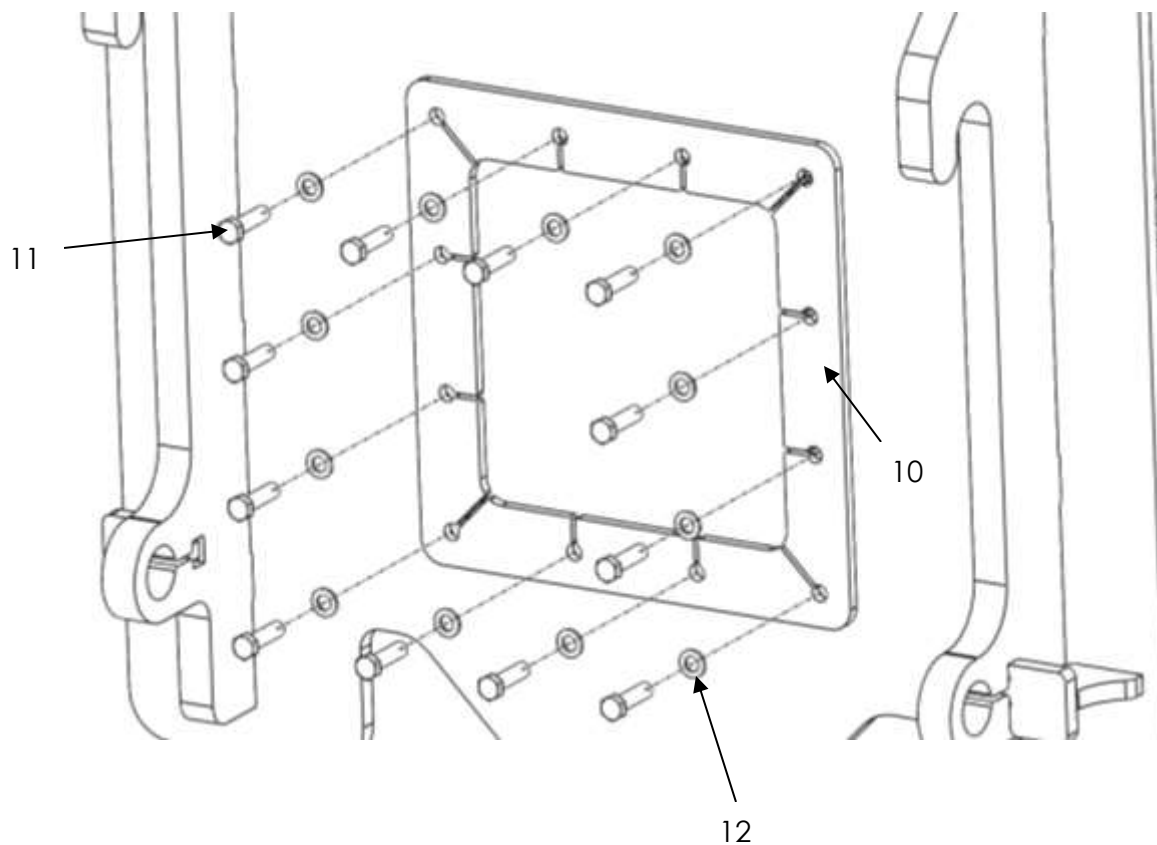
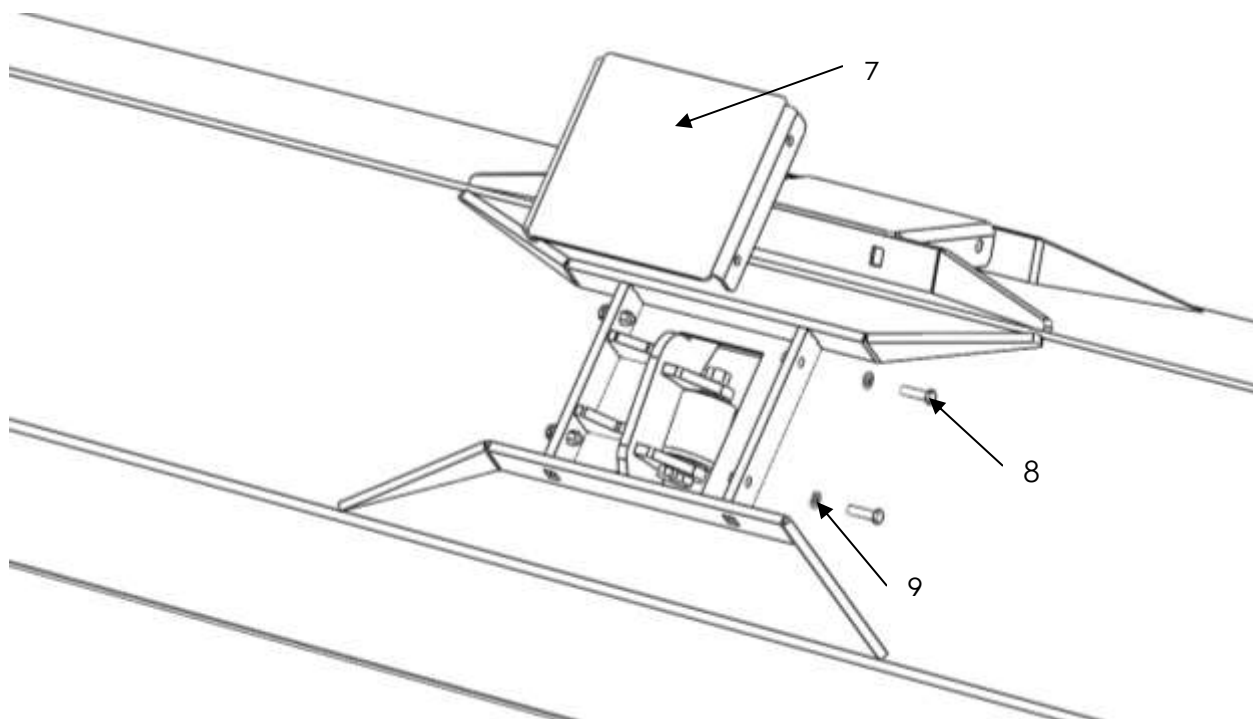
Place the blade on the ground, keeping the pushers entire beam and telescopic section as **horizontal to the ground as possible** to avoid damage, and use the loader to drive forwards to reduce the extension or reverse the loader to lengthen the telescopic section. Replace the locking pin and lynch pin at the desired length. Ensure that the person removing and replacing the locking pins keeps a safe distance whilst the length is being selected.

DO NOT STAND IN FRONT OR ALLOW ANY PERSON TO STAND IN FRONT OF THE GRAIN PUSHER WHILST MAKING THESE ADJUSTMENTS FOR SAFETY REASONS.

Main Body Assembly



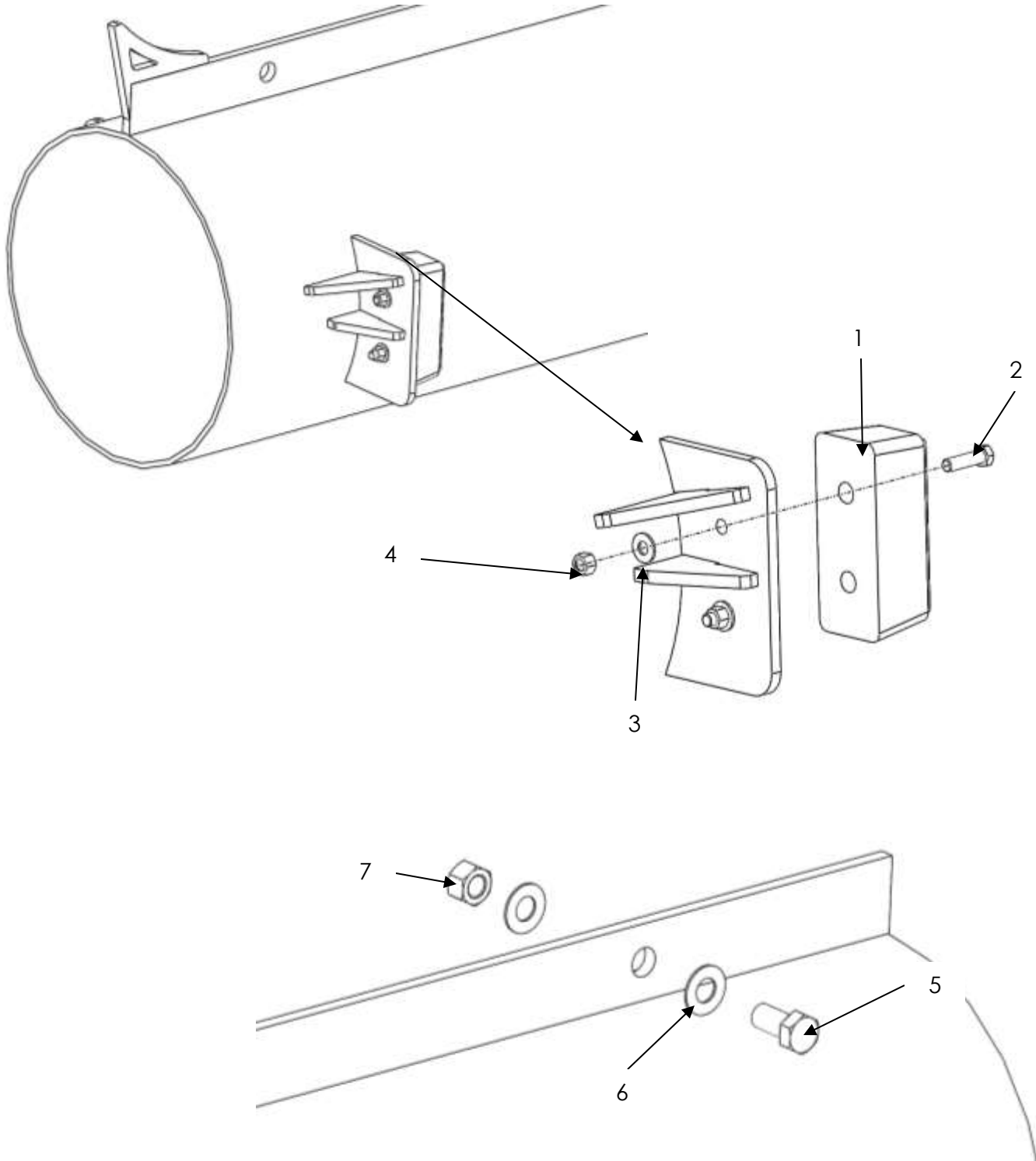
Main Body Assembly Continued



Main Body Assembly Parts List

Item Number	Part Number	Description	Quantity per Machine
1	AW_Nylon_Wheel	Telescopic Roller (2 at Front , 2 Under Lids , 2 Inside Main Body via back hatch see number 10)	6
2	M20 x 180	Roller Bolt	6
3	M20 Flat Washer	Roller Washer	20
4	M20 Nylock	Roller Nut	6
5	AW_28LLP	Telescopic Adjustment Pin	1
6	AW_LP11Z	Telescopic Adjustment Lynch Pin	1
7	18M_W_0637	Roller Access Lid	2
8	M12 x 45	Roller Access Lid Bolt	8
9	M12 Flat Washer	Roller Access Lid Washer	8
10	18M_2002	Main Body Access Lid (Used to Reach inner Rollers)	1
11	M16 x 60	Main Body Access Lid Bolt	12
12	M16 Flat Washer	Main Body Access Lid Washer	12

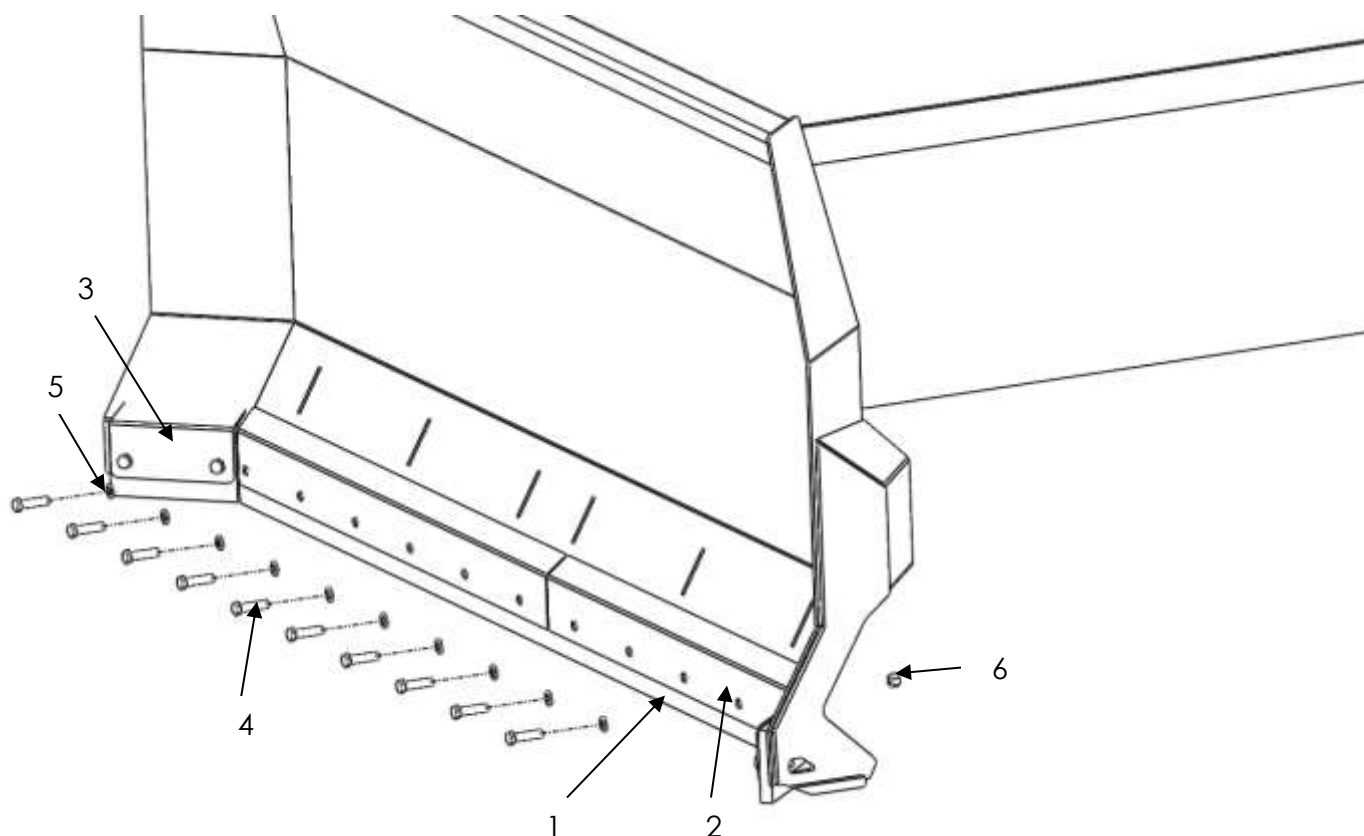
Telescopic Tubular Assembly



Item Number	Part Number	Description	Quantity per Machine
1	AW_Bump_Stop_12	Blade Bump Stop	2
2	M12 x 45	Bump Stop Bolt	4
3	M12 Flat Washer	Bump Stop Washer	4
4	M12 Nylock	Bump Stop Nut	4
5	M24 x 50	Telescopic Adjustment Stop	1
6	M24 Flat Washer	Telescopic Adjustment Washer	2
7	M24 Nylock	Telescopic Adjustment Nut	1





Telescopic Tubular Assembly Parts List

Grain Pusher Blade



Item Number	Part Number	Description	Quantity per Machine
1	18_M_W_Rubber_Strip	Rubber Strip for Blade	1
2	18M_W_0301	Rubber Strip Grip Plate	2
3	18M_W_0302	Small Rubber Strip Grip Plate	2
4	M16 x 65	Rubber Strip Bolt	14
5	M16 Flat Washer	Rubber Strip Washer	28
6	M16 Nylock	Rubber Strip Nut	14

Stickers

Sticker	Part number	Description	Quantity per Machine
	AW_18M_WS (80mm x 80mm)	Warning Sticker	4
	AW_18M_AS (185 mm x 85mm)	Agriweld Sticker	3
	AW_18M_GB (85mm x 50mm)	Great Britain Sticker	3
	AW_18M_ALS (460mm x 90mm)	Agriweld Sticker	2

Warranty

Your Agriweld grain pusher is covered for a period of 12 months from the date of delivery (which is recorded on our files) against faulty components and/or bad workmanship.

All our welders are coded to the relevant standard to manufacture your equipment, and all products are checked for quality prior to delivery/collection.

We cannot be responsible for claims arising from ignorance, occurrences outside our control, such as accidents, working beyond the machines capabilities and malicious damage.


WARRANTY CLAIMS FOR DAMAGE DURING TRANSIT

Damage occurred during transit via an external haulier must be reported immediately upon unloading and signing for the item. The limit of our liability to undertake repairs to products damaged during transit is dependent on signing for any damaged product upon delivery as "DAMAGED".

CE DECLARATION OF CONFORMITY

The equipment which accompanies this declaration is in conformity with EU Directive(s):-

2006/42/EC Machinery Directive

Manufacturer Name:	Agriweld Ltd
Manufacturer Address:	Main Street Garton-on-the-Wolds Driffield East Yorkshire YO25 3ET
Product:	18m Telescopic Grain Pusher
Product Options:	All
Individual Serial Number:	
Product Description:	AGRIWELD Telescopic Grain Pusher
Date of Last Load Test Report:	N/A
Supplementary Information:	
Authorised Signatory on Behalf of Manufacturer:	
Name of Signatory:	Dawn Foster
Position in Company:	Director
Date of Issue:	

